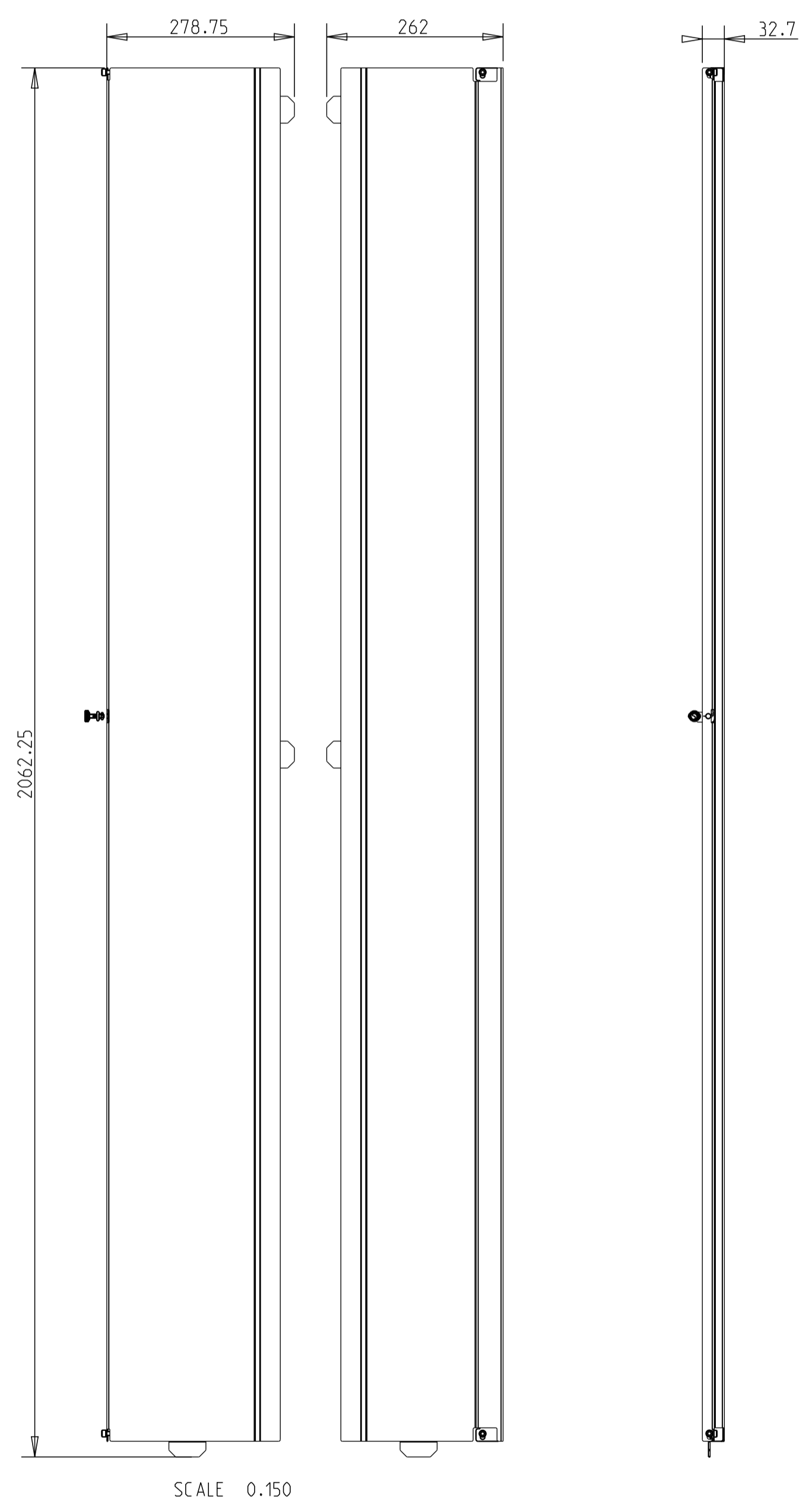
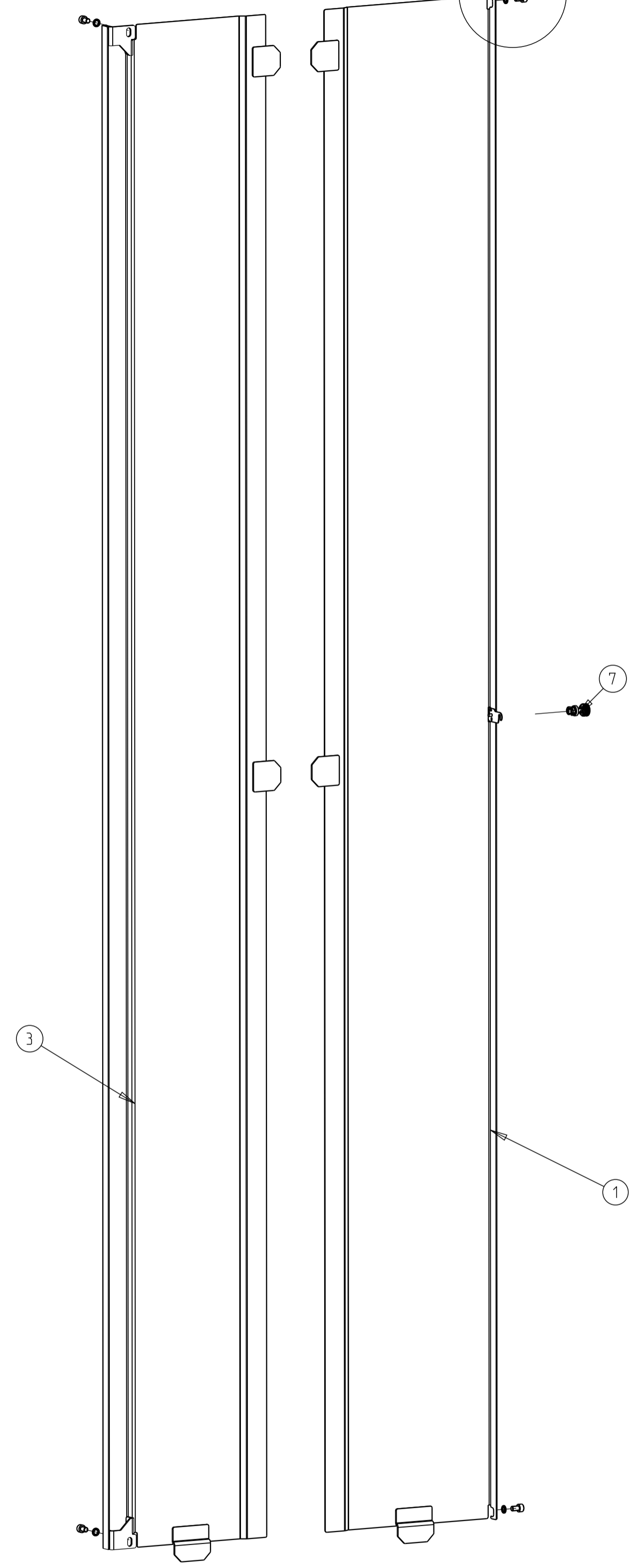
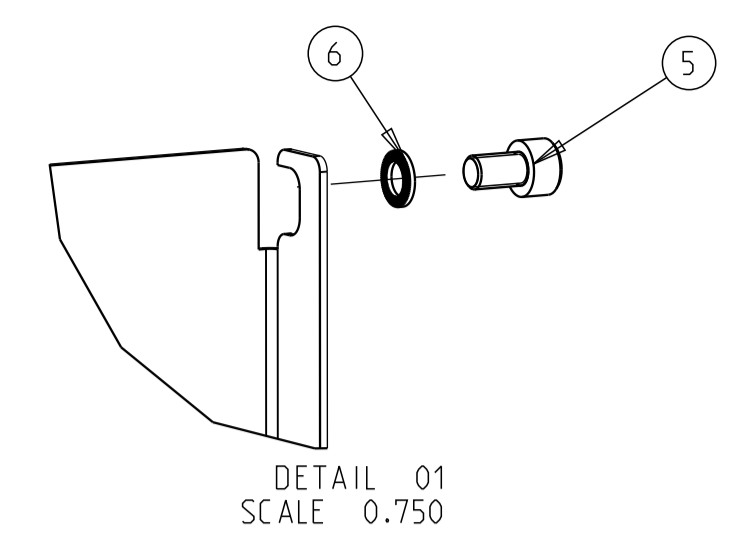


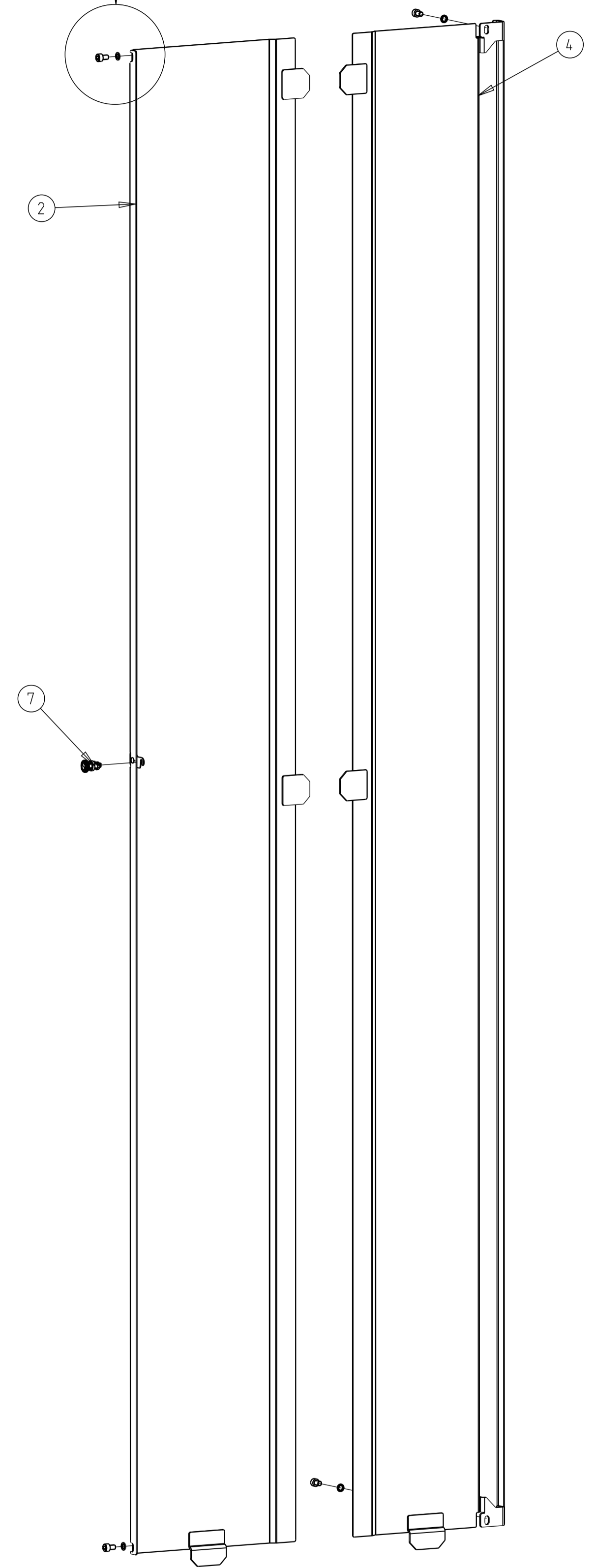
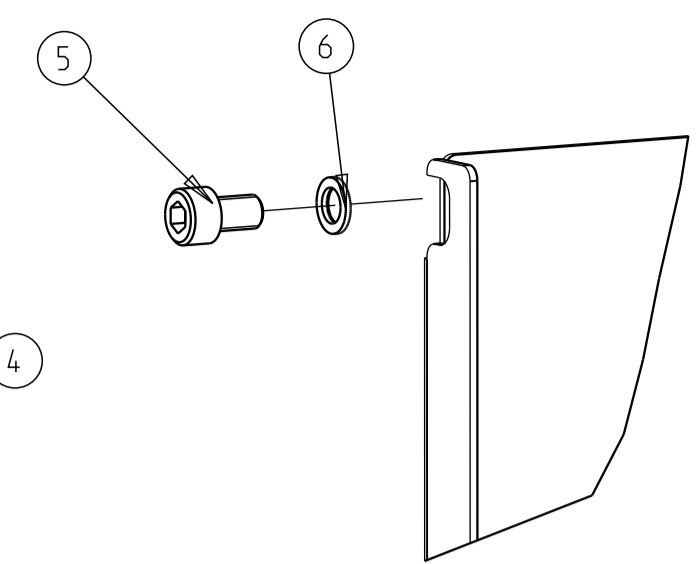
1-1671578-1  
Part N° Side panels Left

SEE DETAIL 01



1-1671578-2  
Part N° Side panels Right

SEE DETAIL 02



REVISIONS				
P.	LTN	DESCRIPTION	DATE	APVD
A		Initial Release	17OCT2011	W.D.V.
B		ECR-13-004244	19MAR2013	H.B.
C		ECN 8000018048 REBRANDING	11JAN2017	R.C.R.

IV 00

QUANTITY	DESCRIPTION	ITEM
1	INSTRUCTION SHEET	8
1	Tool less Fastener	7
4	SCHNORR locking disk spring M6	6
4	Socket head cap screw, M6x10	5
-	Sidepanel front right	4
1	Sidepanel front left	3
-	Sidepanel back right	2
1	Sidepanel back left	1
1--1	1--2	

THIS DRAWING IS A CONTROLLED DOCUMENT.

DIMENSIONS:	TOLERANCES UNLESS OTHERWISE SPECIFIED:	DWN	17OCT2011
mm	0 PLC #SEE TABLE	CHK	H. BLEUS
	1 PLC #SEE TABLE	APVD	D. THUIS
	2 PLC #SEE TABLE	NAME	Side Panels
	3 PLC #SEE TABLE	SIZE	A1
	4 PLC #SEE TABLE	CAGE CODE	-
	ANGLES #SEE TABLE	DRAWING NO	C=1671578-C
MATERIAL	FINISH	WEIGHT	-
-	-	CUSTOMER DRAWING	SCALE 0.200 SHEET 1 OF 1 REV C

Items are not assembled.