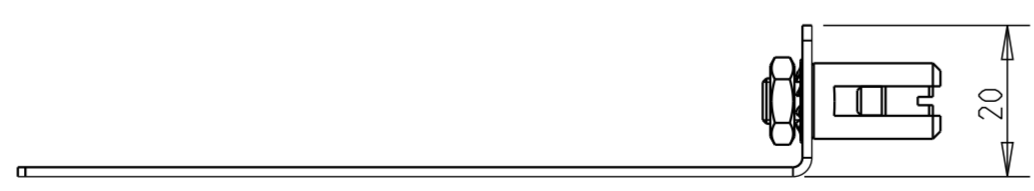
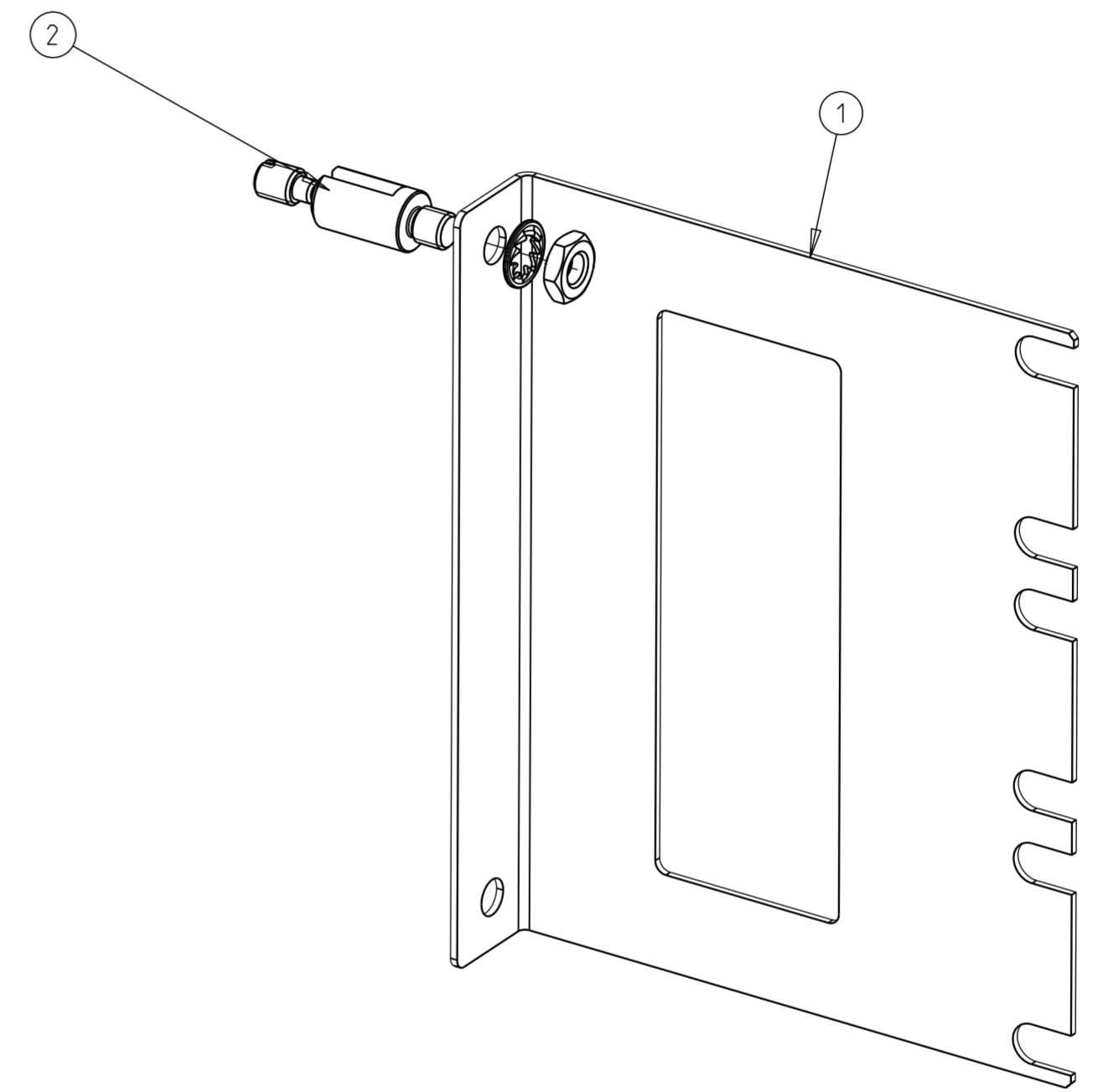
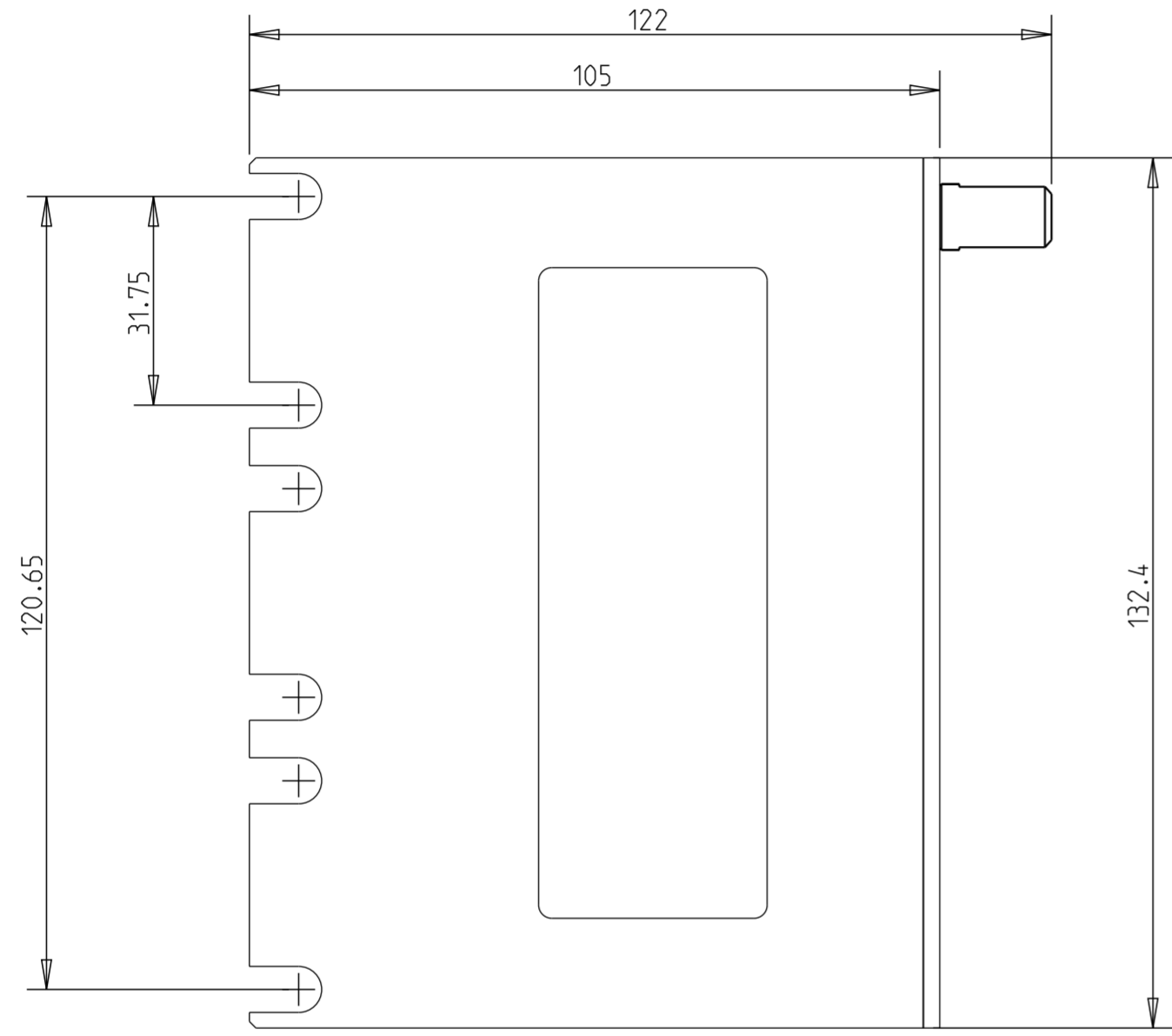


THIS DRAWING IS UNPUBLISHED. RELEASED FOR PUBLICATION  
 © 2016 COMMScope, INC. CONFIDENTIAL NOTICE: THESE DRAWINGS AND SPECIFICATIONS ARE THE PROPRIETARY PROPERTY OF COMMScope, INC. AND MAY BE USED ONLY FOR THE SPECIFIC PURPOSE AUTHORIZED IN WRITING BY COMMScope, INC.

LOC	DIST	REVISIONS			
P	LTR	DESCRIPTION	DATE	DWN	APVD
		A Initial Release	29JUN2011	WDV	HB
		B ECR-11-021198	27OCT2011	WDV	HB
		C ECN 8000018048 REBRANDING	11JAN2017	RCR	SC



QTY	DESCRIPTION	ITEM
1	Grounding Screw	2
1	Base Plate	1
1--1	DESCRIPTION	ITEM

THIS DRAWING IS A CONTROLLED DOCUMENT.		DWN W. DE VIS 29JUN2011	<b>COMMScope, INC.</b>	
DIMENSIONS: mm		CHK H. BLEUS 29JUN2011		
TOLERANCES UNLESS OTHERWISE SPECIFIED:		APVD D. THUIS 29JUN2011		
0 PLC ±SEE TABLE 1 PLC ±SEE TABLE 2 PLC ±SEE TABLE 3 PLC ±SEE TABLE 4 PLC ±SEE TABLE ANGLES ±SEE TABLE FINISH		PRODUCT SPEC - APPLICATION SPEC -		
MATERIAL		WEIGHT	SIZE A2	CAGE CODE -
-		-	DRAWING NO C-1671548	RESTRICTED TO -
CUSTOMER DRAWING			SCALE 1.000	SHEET 1 OF 1 REV C