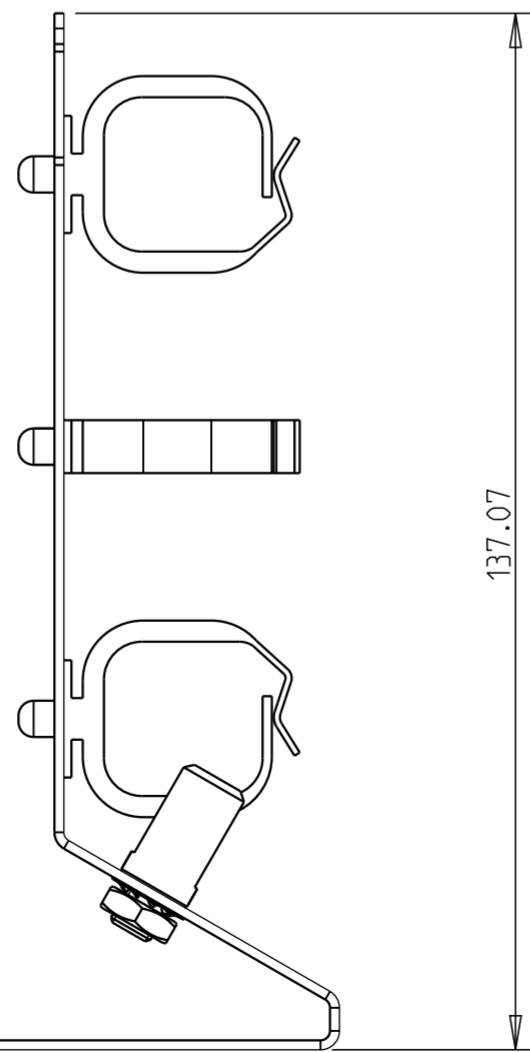
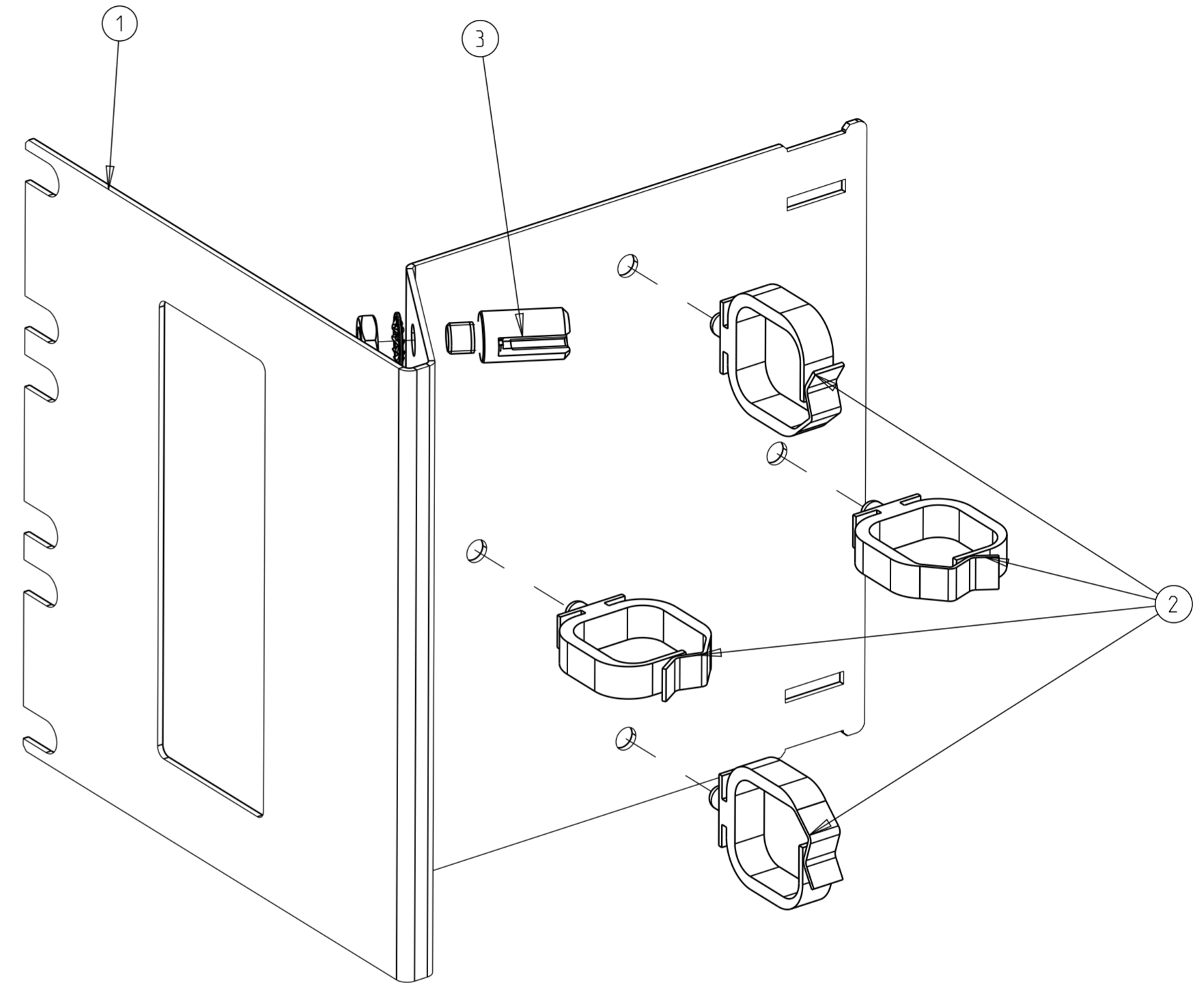
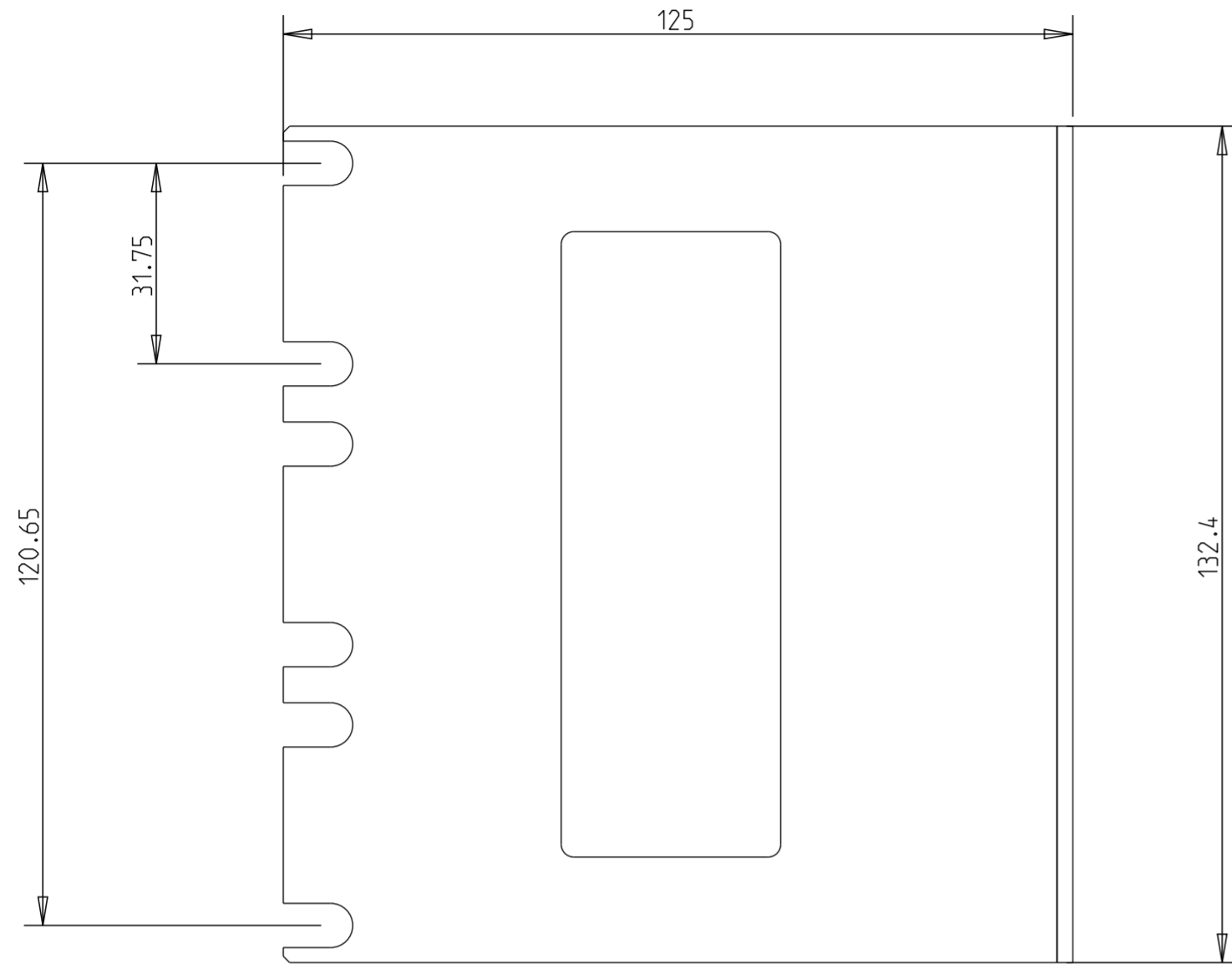


THIS DRAWING IS UNPUBLISHED. RELEASED FOR PUBLICATION  
 © 2016 COMMScope, INC. CONFIDENTIAL NOTICE: THESE DRAWINGS AND SPECIFICATIONS ARE THE PROPRIETARY PROPERTY OF COMMScope, INC. AND MAY BE USED ONLY FOR THE SPECIFIC PURPOSE AUTHORIZED IN WRITING BY COMMScope, INC.

LOC IV DIST 00

REVISIONS					
P	LTR	DESCRIPTION	DATE	DWN	APVD
A		Initial Release	29JUN2011	WDV	HB
B		ECR-11-021198	27OCT2011	WDV	HB
C		ECN 8000018048 REBRANDING	11JAN2017	RCR	SC



1	Grounding Screw	3
4	OFN Saddle	2
1	Base Plate	1
1--1	DESCRIPTION	ITEM
QTY		

THIS DRAWING IS A CONTROLLED DOCUMENT.		DWN W. DE VIS 29JUN2011	<b>COMMScope, INC.</b> Xtra-U Patch Panel with Cable Management		
DIMENSIONS: mm		CHK H. BLEUS 29JUN2011			NAME
TOLERANCES UNLESS OTHERWISE SPECIFIED:		APVD D. THUIS 29JUN2011			SIZE
0 PLC ±SEE TABLE 1 PLC ±SEE TABLE 2 PLC ±SEE TABLE 3 PLC ±SEE TABLE 4 PLC ±SEE TABLE ANGLES ±SEE TABLE FINISH		PRODUCT SPEC			CAGE CODE
MATERIAL		APPLICATION SPEC	DRAWING NO	RESTRICTED TO	
		WEIGHT	A2		
		CUSTOMER DRAWING	SCALE 1.000	SHEET 1 OF 1 REV B	