

THIS DRAWING IS UNPUBLISHED. RELEASED FOR PUBLICATION
 © 2016 COMMSCOPE, INC. CONFIDENTIAL NOTICE: THESE DRAWINGS AND SPECIFICATIONS ARE THE PROPRIETARY PROPERTY OF COMMSCOPE, INC. AND MAY BE USED ONLY FOR THE SPECIFIC PURPOSE AUTHORIZED IN WRITING BY COMMSCOPE, INC.

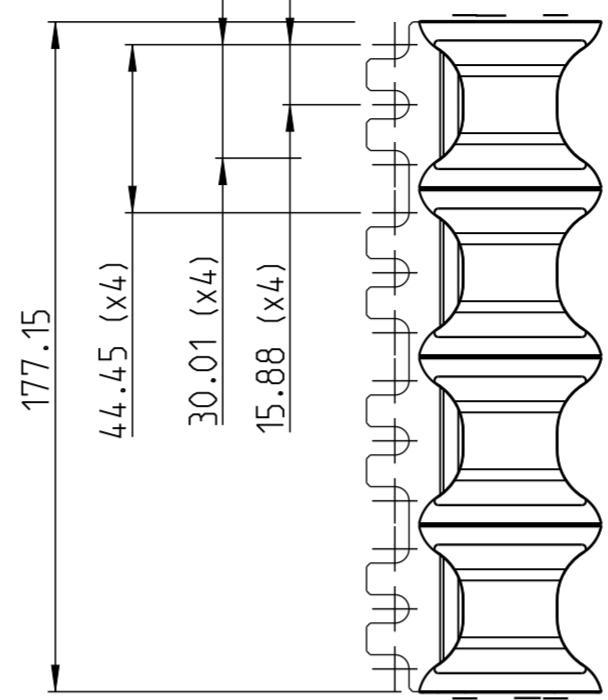
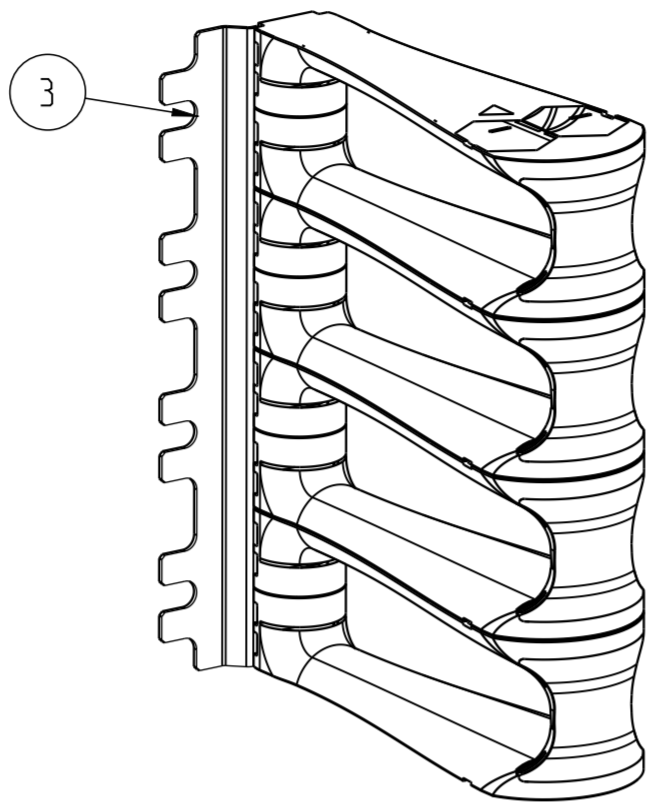
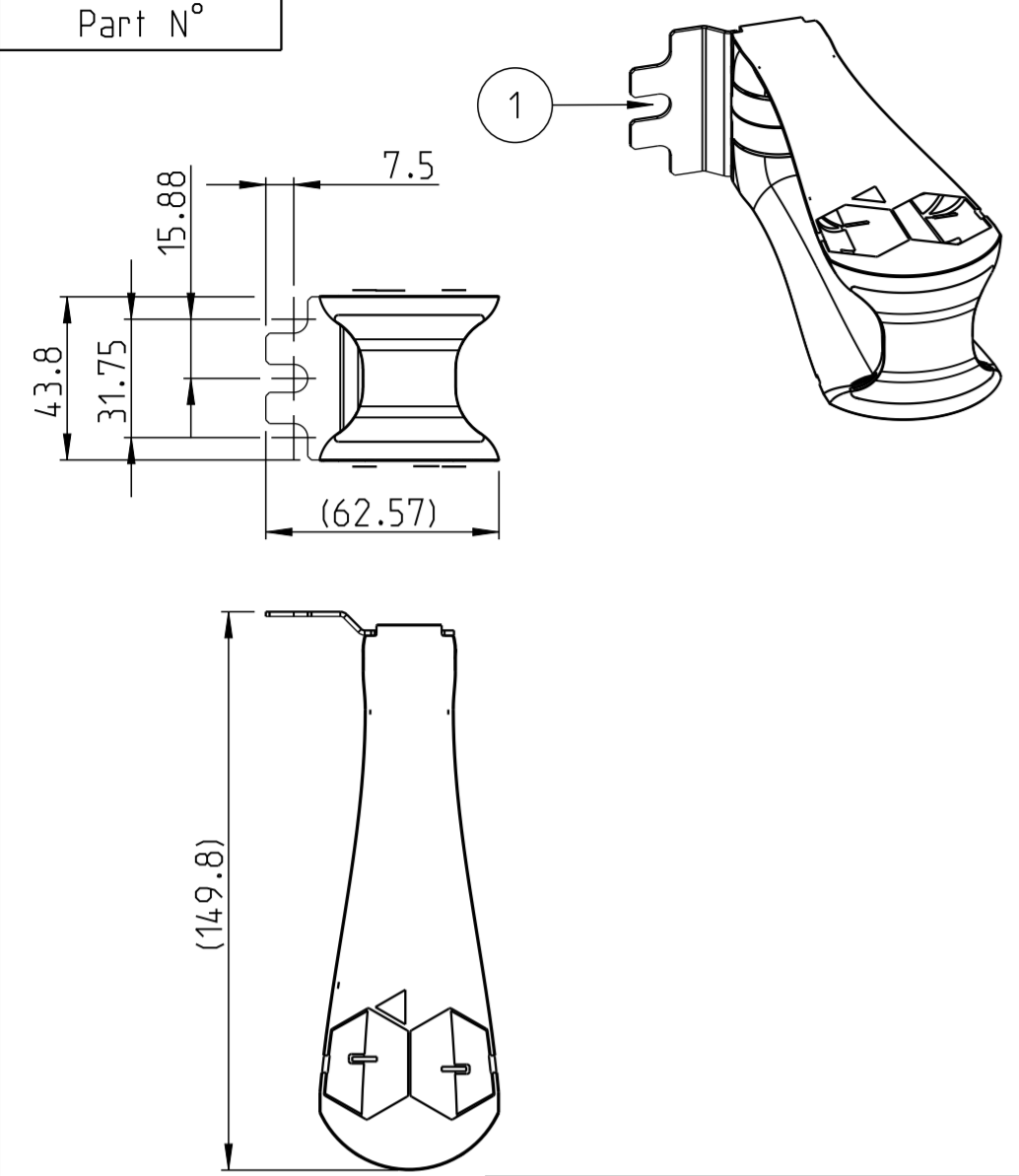
1-1671495-5
 Part N°

LOC IV DIST 00

REVISIONS					
P	LTR	DESCRIPTION	DATE	DWN	APVD
B		ECR-13-001150	21JAN2013	HB	DT
B1		TABLE ADDED WITH ASSY/PACK QTY	05MAR2013	HB	DT
C		ECR-13-017193	05NOV2013	HB	DT
D		ECN 8000018048 REBRANDING	10JAN2017	RCR	SC

1671495-1
 Part N°

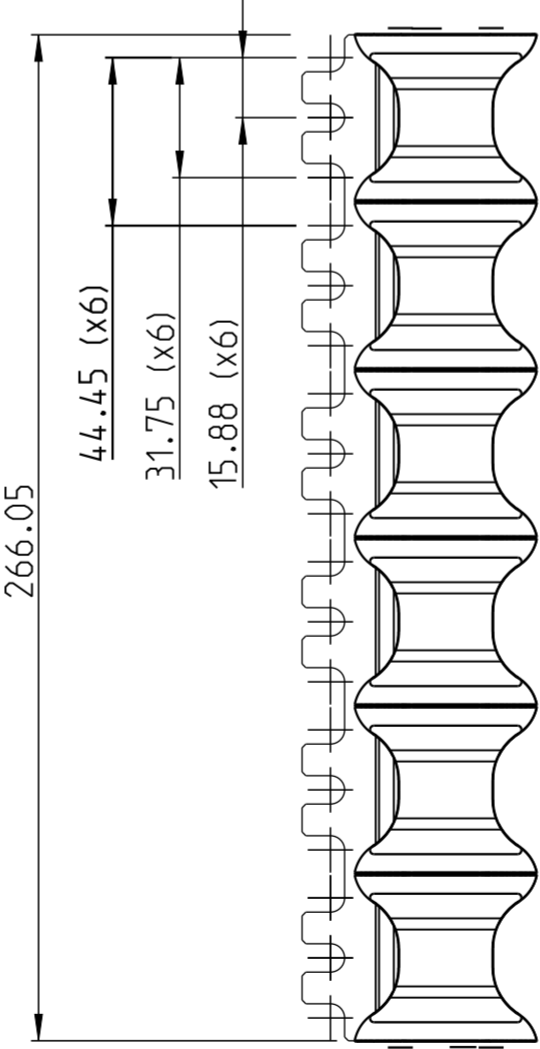
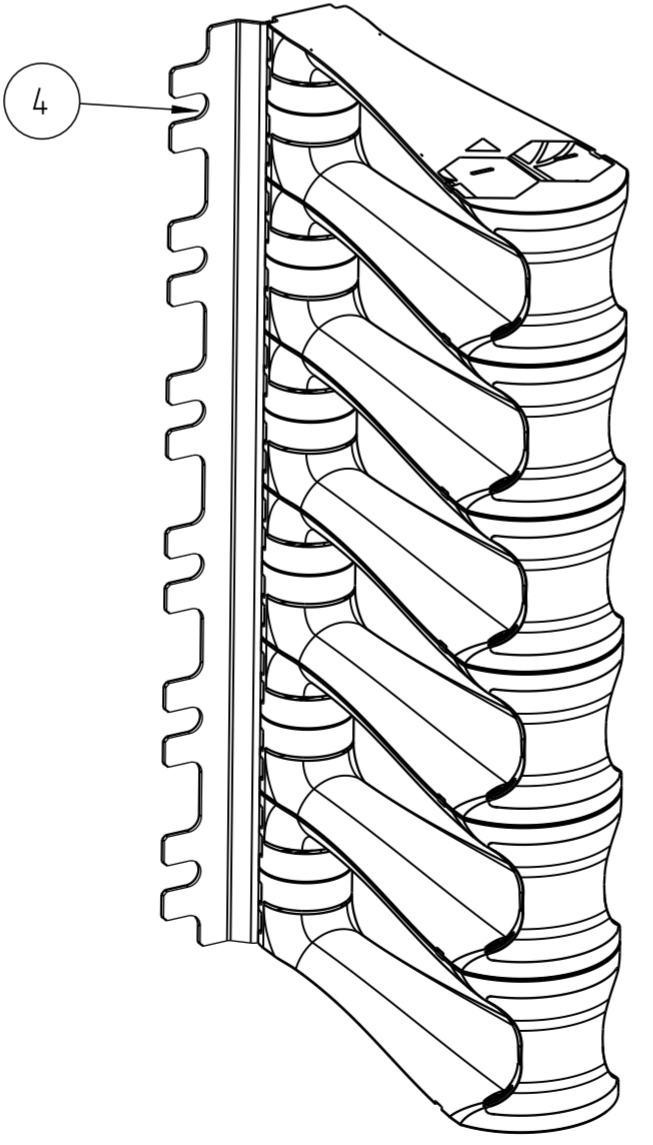
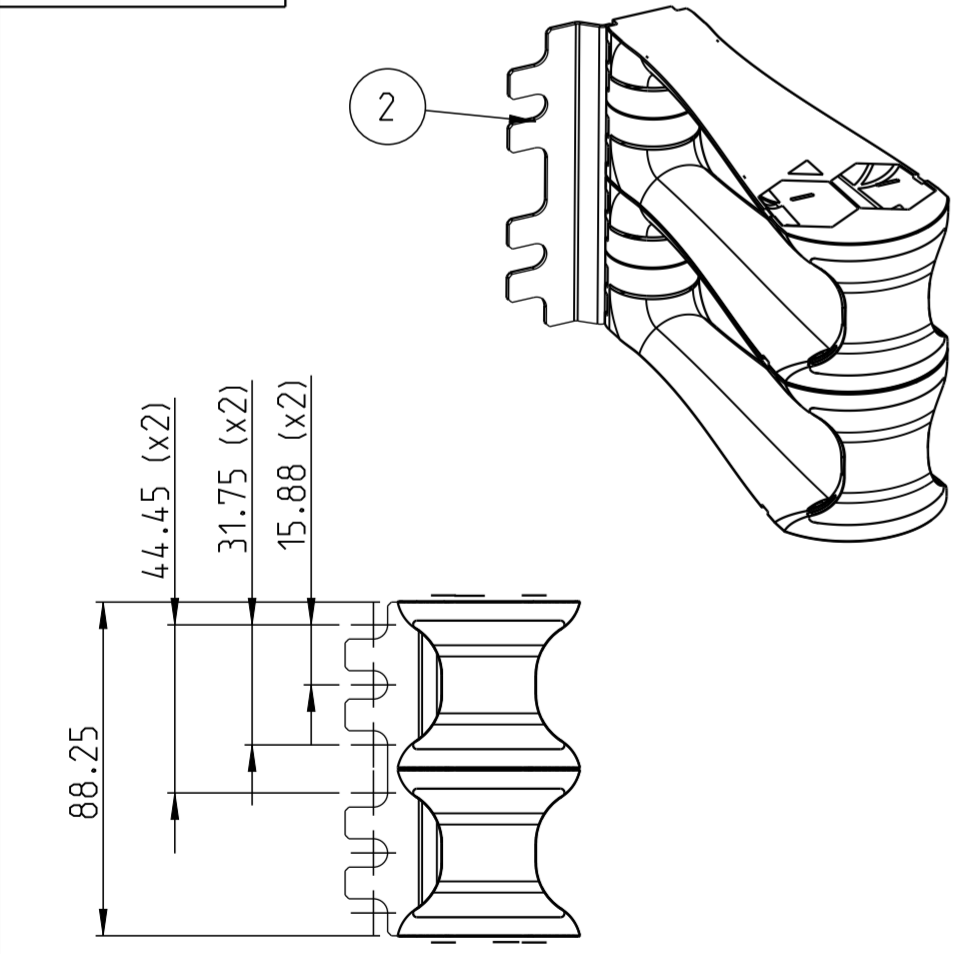
1671495-4
 Part N°



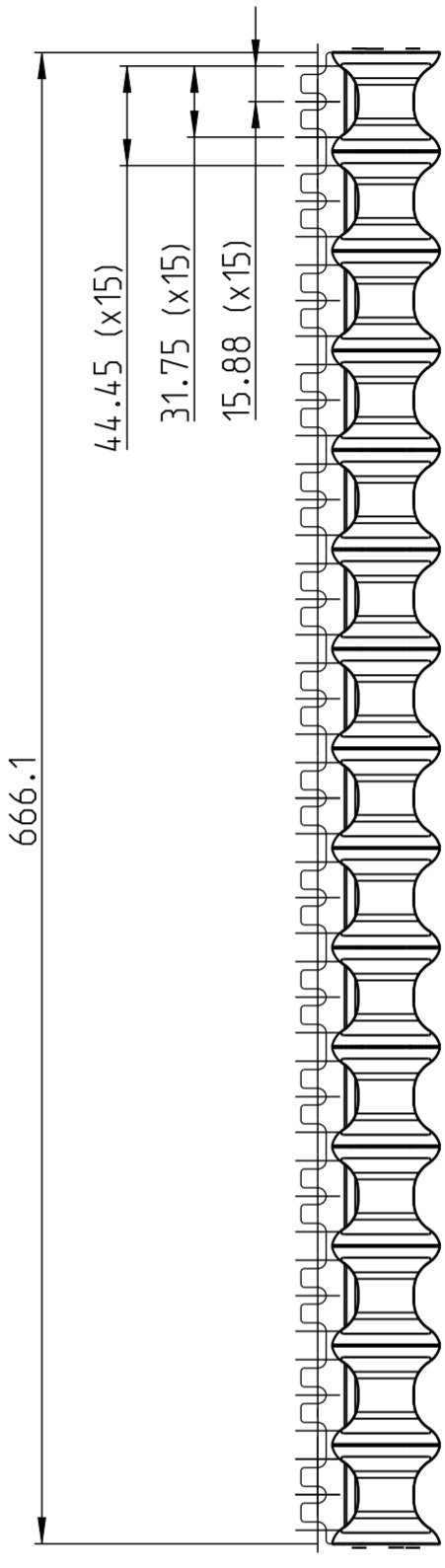
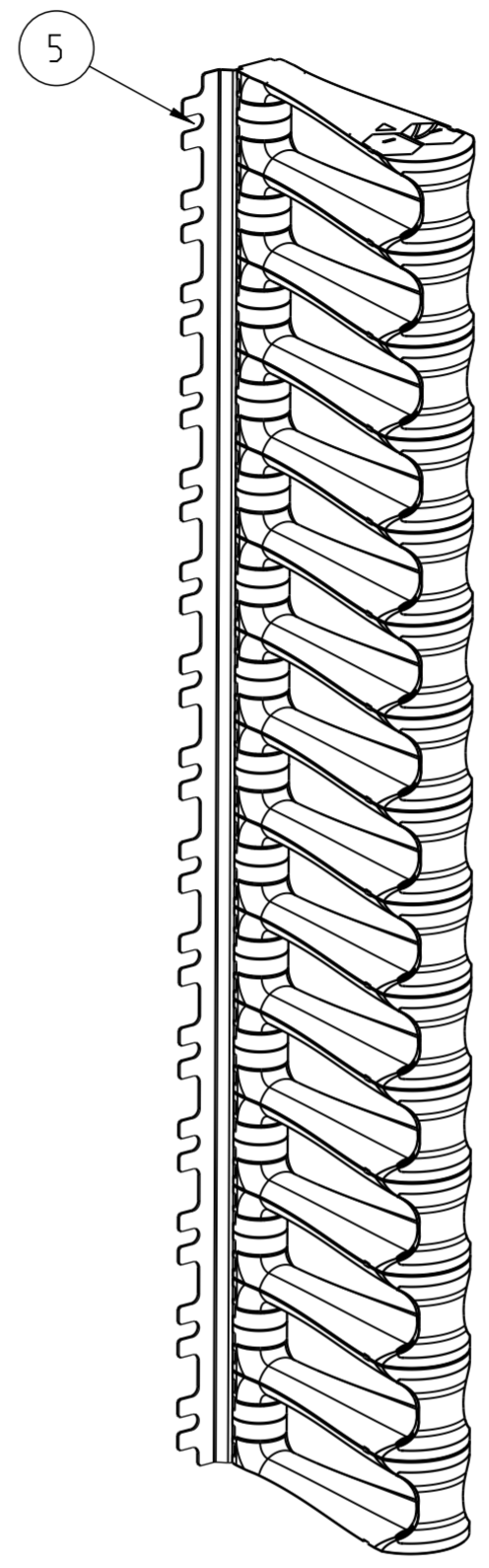
1	Att brCKT CM for Cab 4U
4	Cable Manager
QTY	ASSEMBLY OF ITEM 3

1671495-6
 Part N°

1671495-2
 Part N°



1	Att brCKT CM for Cab 6U
6	Cable Manager
QTY	ASSEMBLY OF ITEM 4



1	Att brCKT CM for Cab 15U
15	Cable Manager
QTY	ASSEMBLY OF ITEM 5

1	Att brCKT CM for Cab 2U
2	Cable Manager
QTY	ASSEMBLY OF ITEM 2

QTY	DESCRIPTION	PART NUMBER	ITEM
5	High-Density Front-loading CM 15U	1-1671495-5	5
4	High-Density Front-loading CM 6U	1671495-6	4
3	High-Density Front-loading CM 4U	1671495-4	3
2	High-Density Front-loading CM 2U	1671495-2	2
1	High-Density Front-loading CM 1U	1671495-1	1

THIS DRAWING IS A CONTROLLED DOCUMENT.

DWN H.BLEUS 03OCT2011
 CHK H.BLEUS 03OCT2011
 APVD D.THLJS 03OCT2011

NAME: High-Density Front-Loading Cable Manager

COMMSCOPE, INC.

SIZE: A2 CAGE CODE: - DRAWING NO: C-1671495 RESTRICTED TO: -

MATERIAL: - FINISH: - WEIGHT: -

CUSTOMER DRAWING SCALE: 1:2 SHEET 1 OF 1 REV D