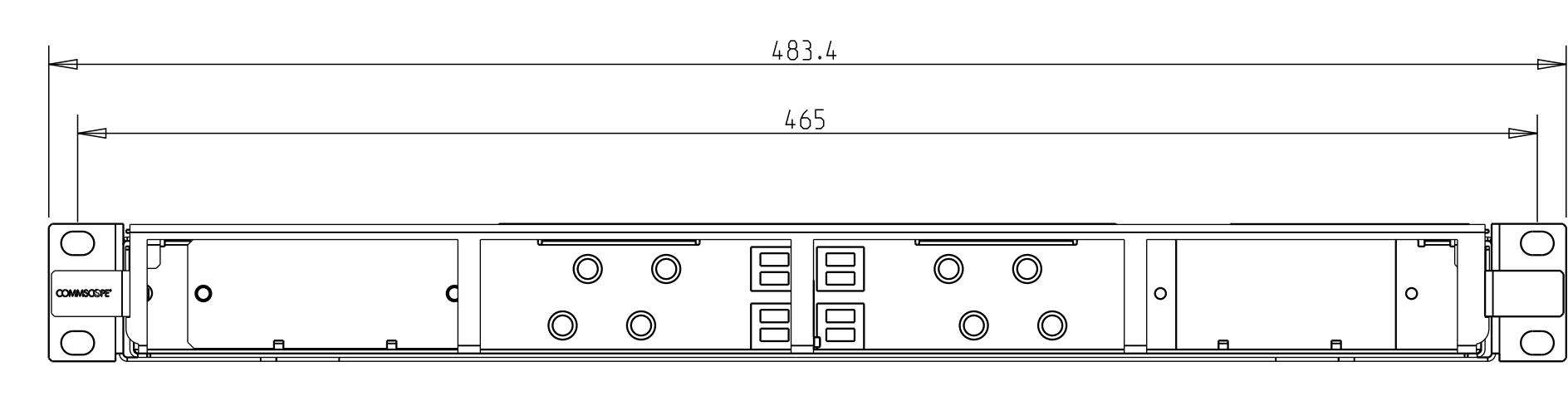
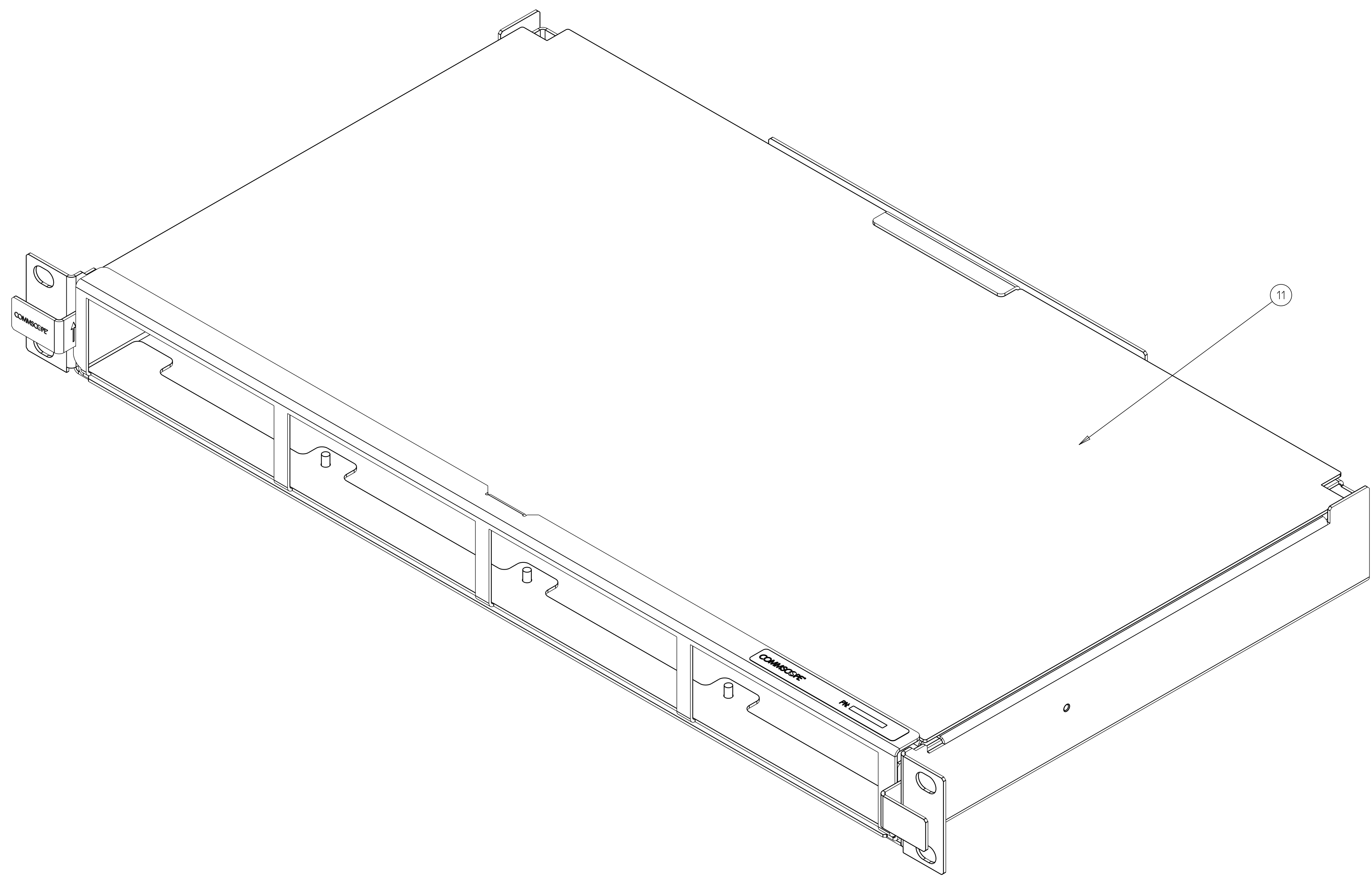
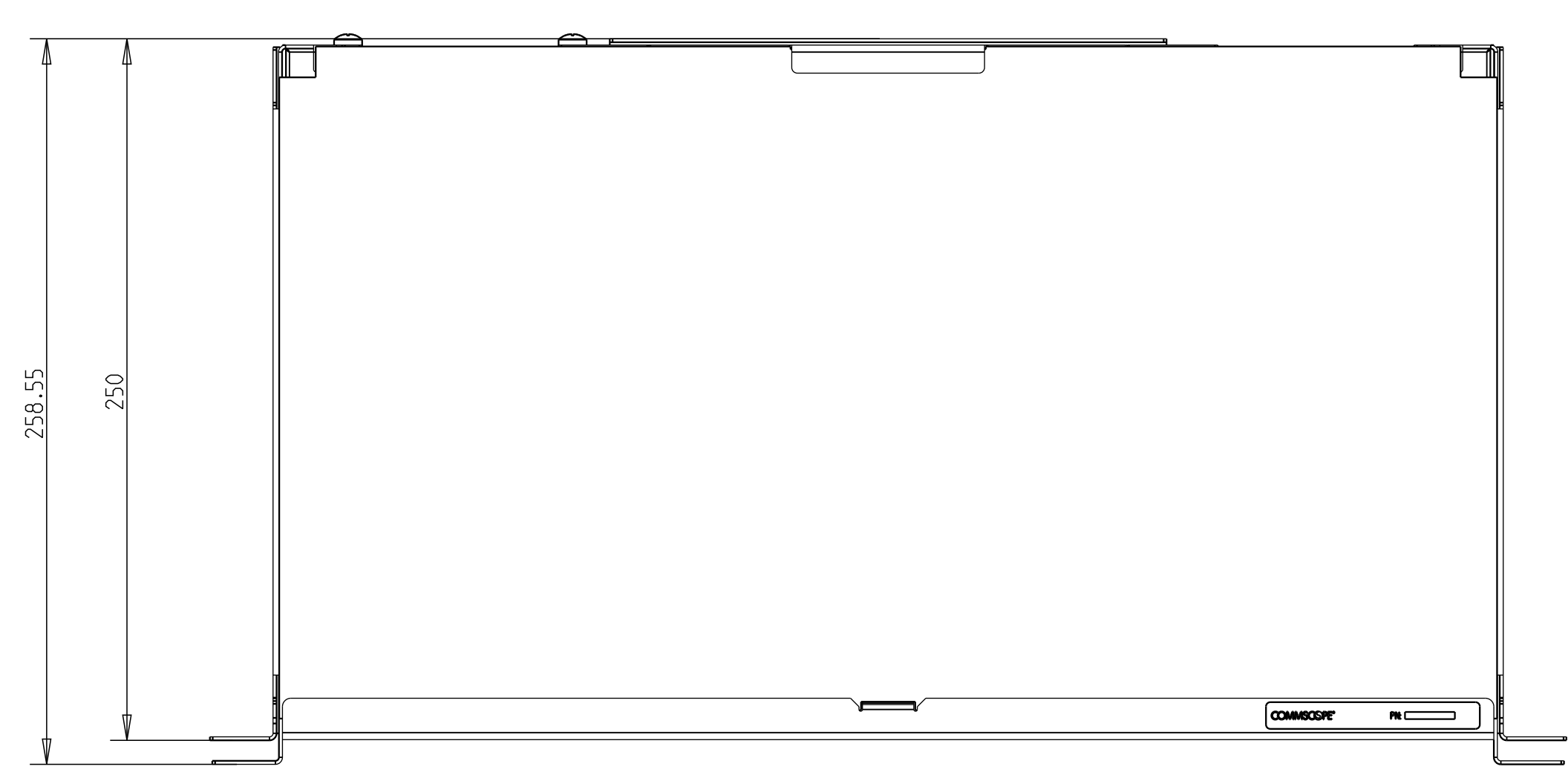
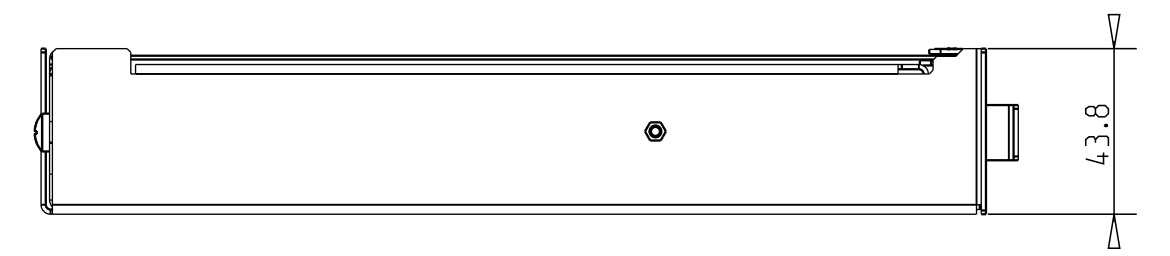


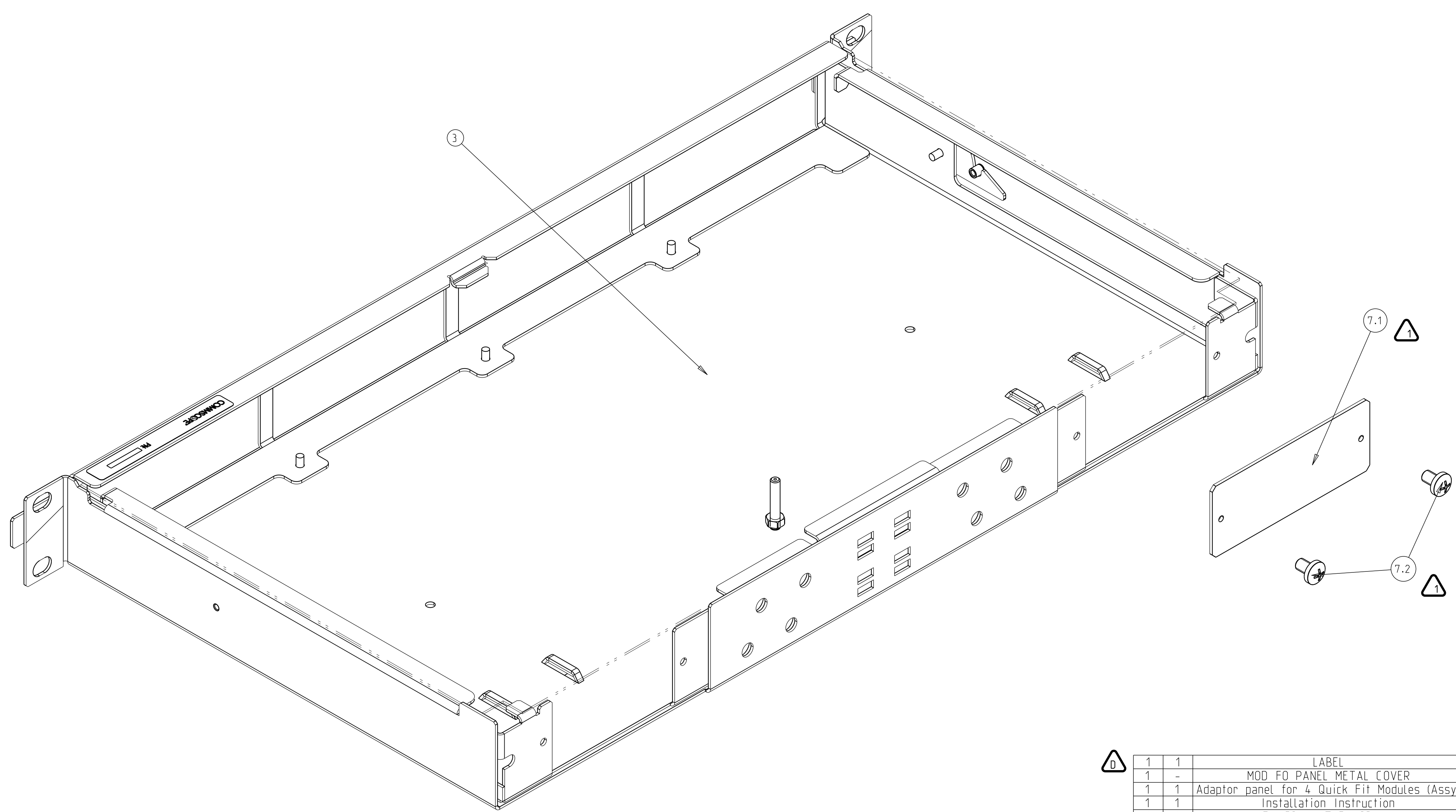
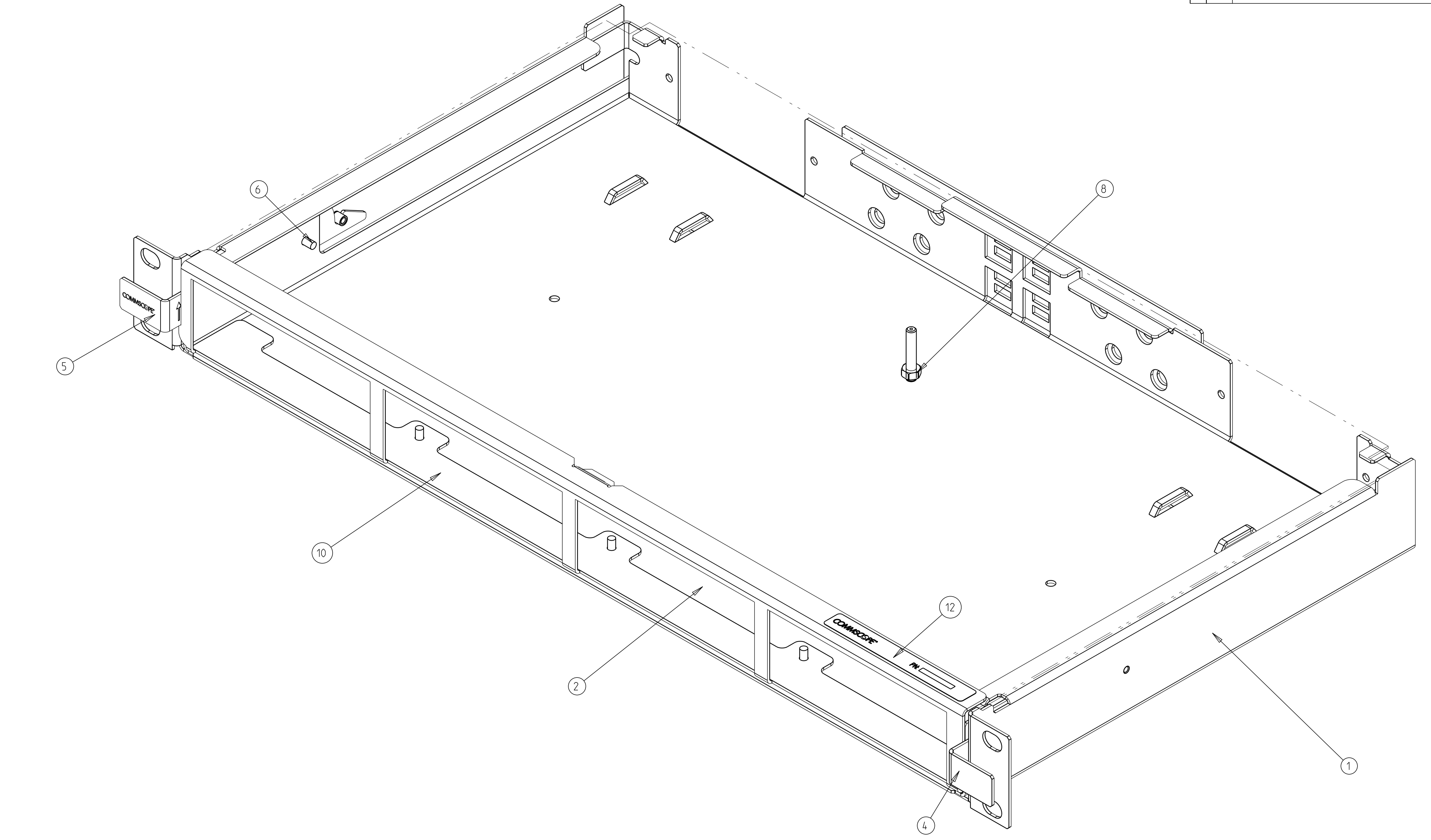
1-1671365-2
 Part N°
 Flushmount MOD FO panel
 with metal cover



SCALE 0.500



1-1671365-1
 Part N°
 Flushmount MOD FO panel
 with plastic cover



REV	DATE	DESCRIPTION	BY	CHK
IV	00			
C	14 JAN 2011	ECR-11-012110	HB	DT
D	29 JAN 2013	ECR-13-001701	HB	DT
E	20 DEC 2016	ECN 8000018048 REBRANDING	RER	SC

- ⚠️ ITEMS 7.1, 7.2 ARE PACKED IN A PLASTIC BAG
- ⚠️ ITEM 8 ASSEMBLED
- ⚠️ ALL ITEMS IN CARTON BOX WITH CORRESPONDING TE LABEL ACCORDING TO SPEC. 107-109015

QTY	DESCRIPTION	ITEM
1	1 LABEL	12
1	1 MOD FO PANEL METAL COVER	11
1	1 Adaptor panel for 4 Quick Fit Modules (Assy)	10
1	1 Installation Instruction	9
1	1 HEXAGON NUT DIN934 M4	8
2	2 SCREW DIN7985 M3X6	7.2
1	1 MOD FO BLIND PLATE (BLACK RAL 9005)	7.1
5	5 RIVET 3.2 X 6.5 - 7.5 A1	6
1	1 MOD FO PANEL LOCK LEFT (BLACK RAL 9005)	5
1	1 MOD FO PANEL LOCK RIGHT (BLACK RAL 9005)	4
-	1 MOD FO PLASTIC COVER	3
1	1 MOD FO TRAY (BLACK RAL 9005)	2
1	1 MOD FO CHASSIS (BLACK RAL 9005)	1
1-2	1-1 QTY	

THIS DRAWING IS A CONTROLLED DOCUMENT.		DATE	120C12009
DIMENSIONS:		CHK	120C12009
UNLESS OTHERWISE SPECIFIED:		APPRO	120C12009
0 PLC	BY	PRODUCT SPEC	
1 PLC	BY	APPLICATION SPEC	
2 PLC	BY	SIZE	A0
3 PLC	BY	SCALE	1:1
4 PLC	BY	WEIGHT	
MATERIAL:		FINISH:	
CUSTOMER DRAWING		SCALE	1:1
		SHEET	1 OF 1
		REV	C

COMMSCOPE, INC.
 Flushmount MOD FO panel
 with quick-fit adaptor panel

SCALE 1:1
 SHEET 1 OF 1
 REV C