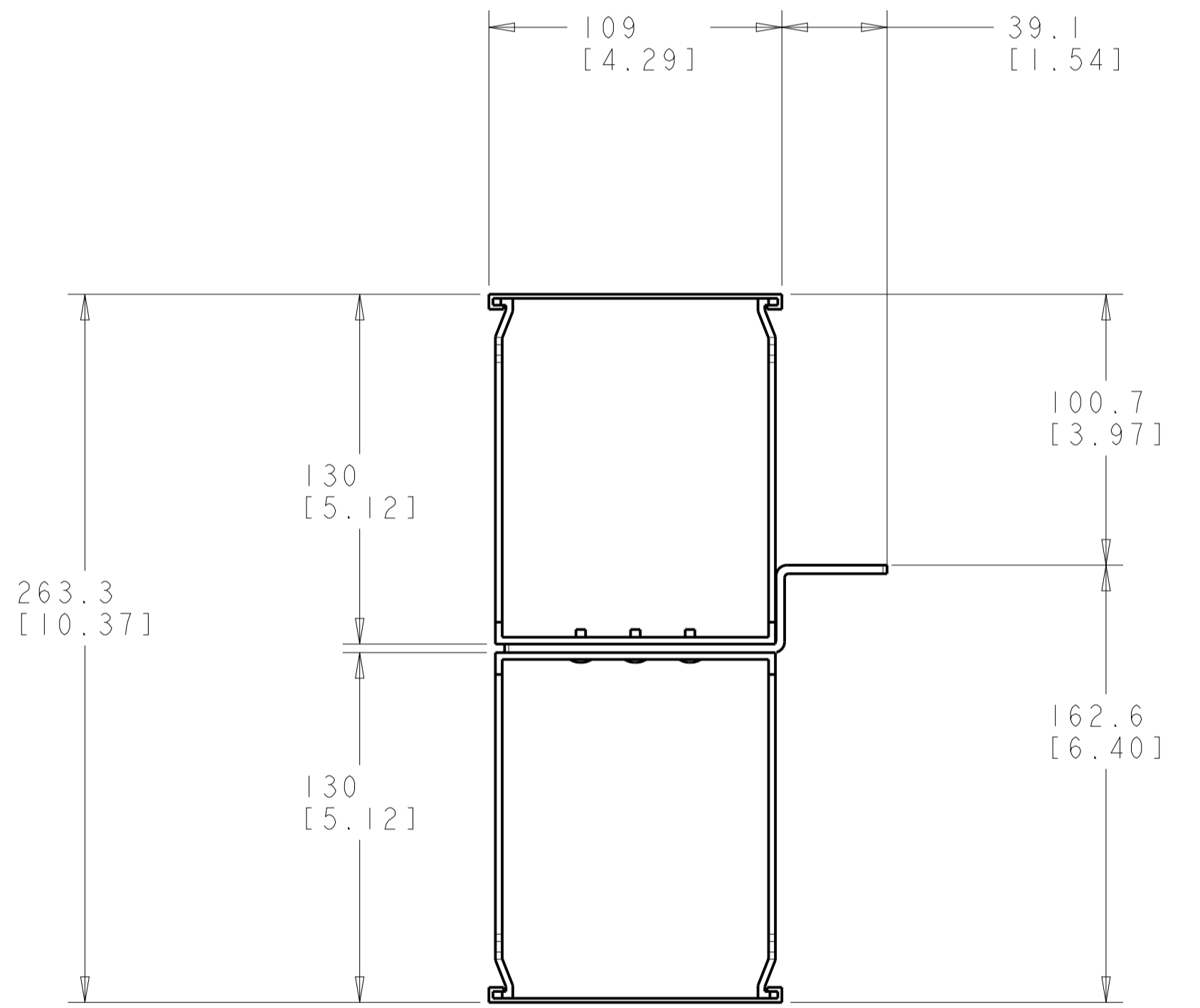
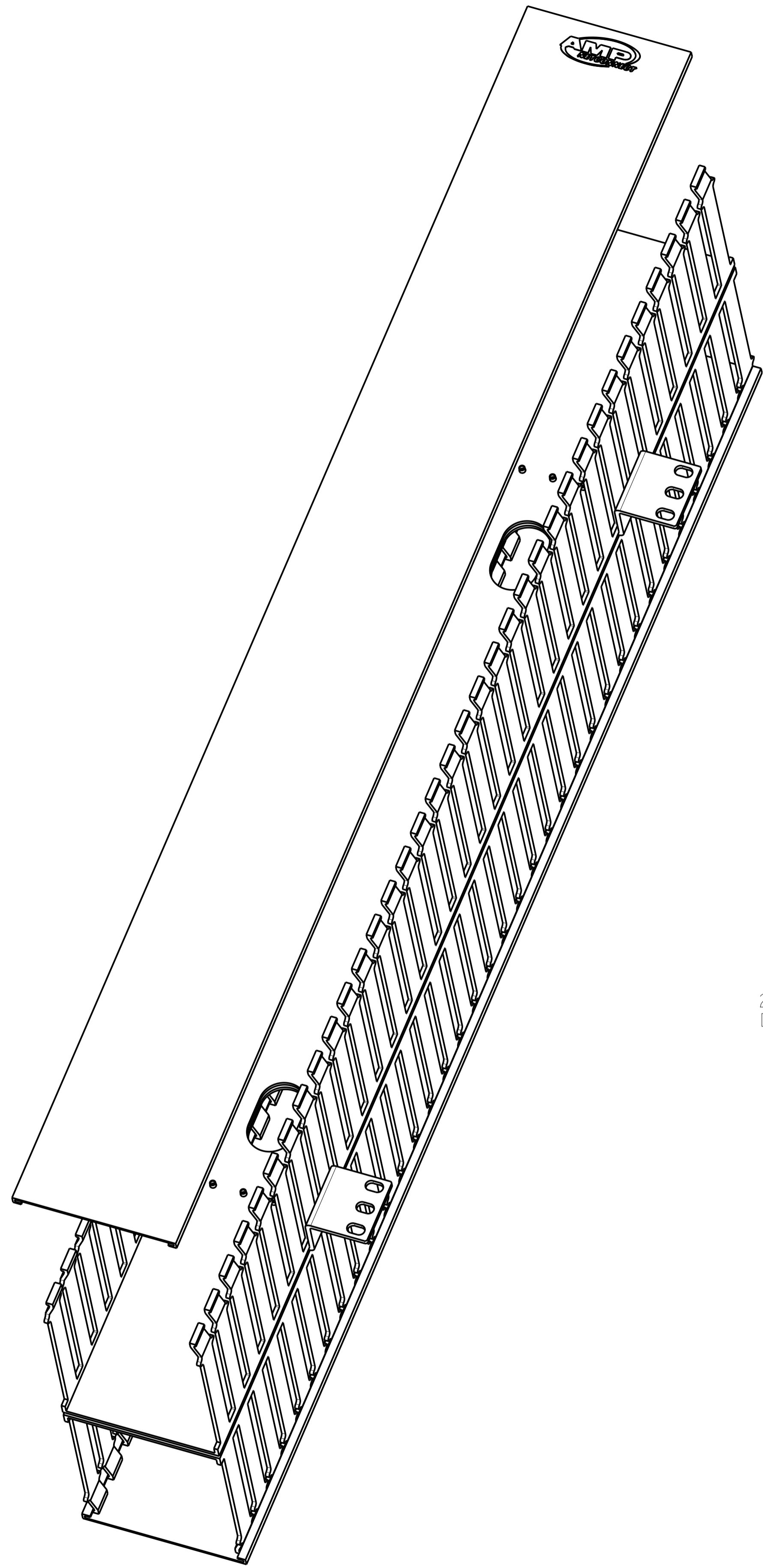
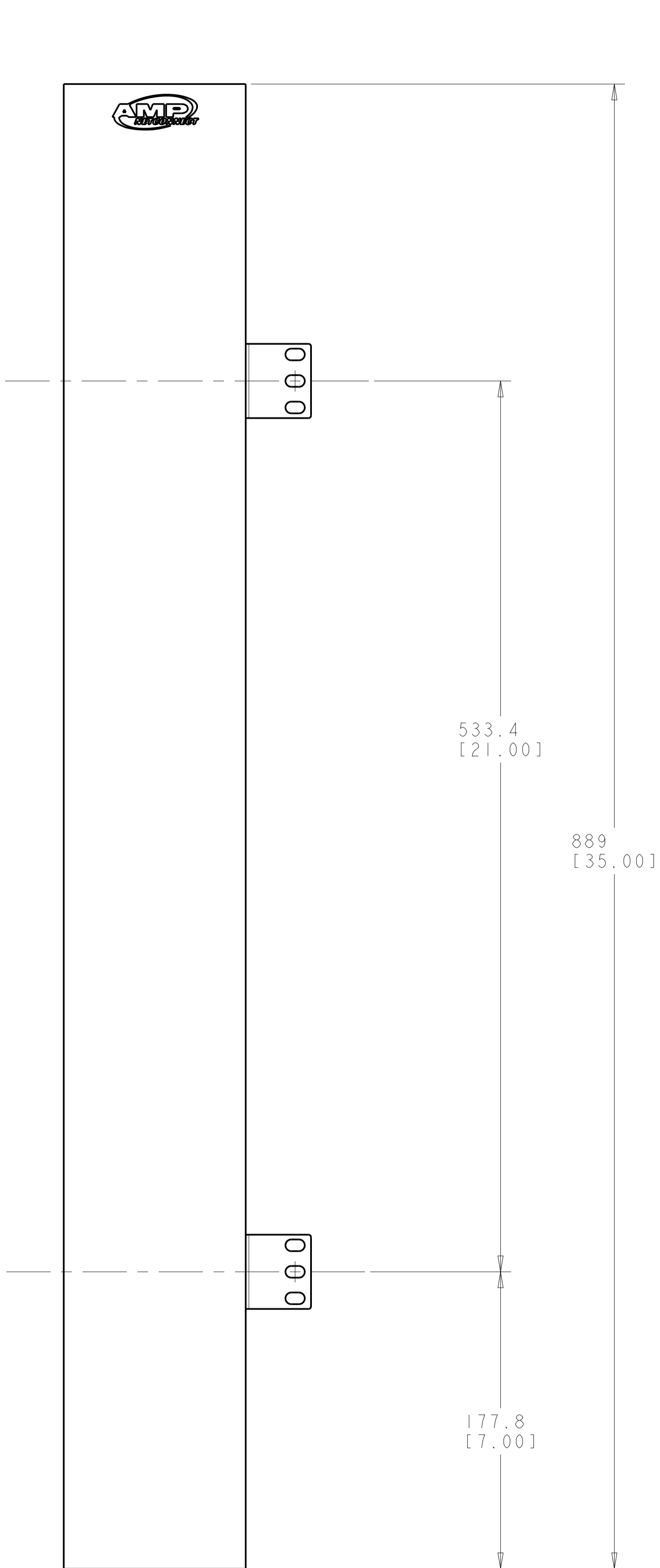


REVISIONS				
REV	DATE	DESCRIPTION	BY	APP'D
D	09FEB2017	REV PER BNS_CD_BRAND	GG	DC

- 1. MATERIAL: ASSEMBLY - POWDER COATED ALUMINUM, AND PVC, BLACK, MATTE FINISH.
- 2. ALL DIMENSIONS ARE NOMINAL UNLESS OTHERWISE NOTED.



1375164-1  
PART NUMBER

THIS DRAWING IS A CONTROLLED DOCUMENT.		DWN L. SMITH 02AUG2000	<b>COMMSCOPE, INC.</b> PANEL, VERTICAL CABLE MANAGEMENT, 35 INCH, FRONT AND REAR
DIMENSIONS: MM [INCHES]		CHK S. HERNDON 02AUG2000	
TOLERANCES UNLESS OTHERWISE SPECIFIED:		APVD B. DAVIS 02AUG2000	NAME
0 PLC ±	1 PLC ±	PRODUCT SPEC	SIZE
2 PLC ±	3 PLC ±	APPLICATION SPEC	CAGE CODE
4 PLC ±	ANGLES ±	WEIGHT	DRAWING NO
MATERIAL	FINISH	CUSTOMER DRAWING	RESTRICTED TO
SCALE 1:2		SHEET 1 OF 1 REV D	