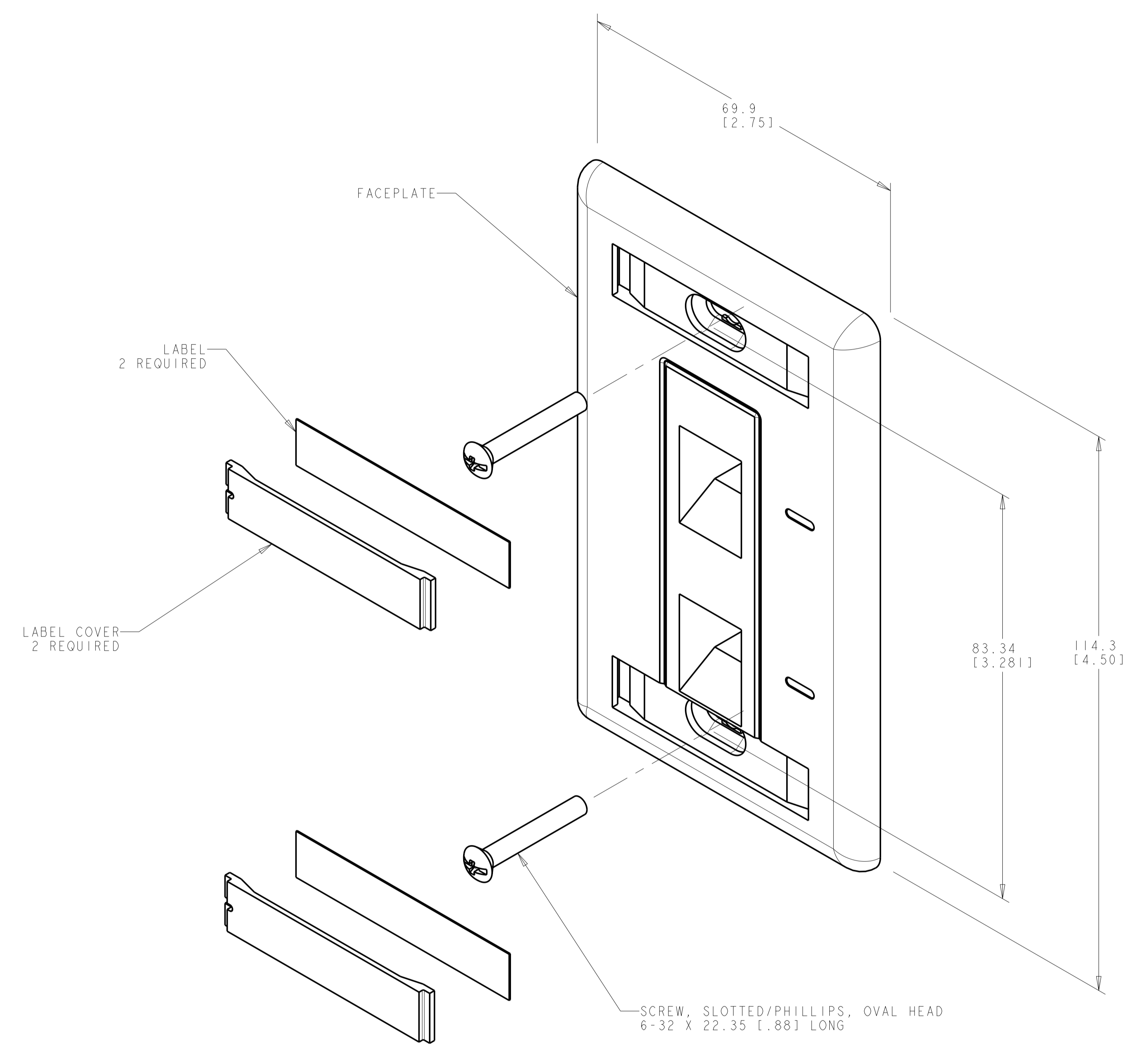


REVISIONS				
REV	LTN	DESCRIPTION	DATE	APPROV
B		REV ECO-11-000935	14JAN2011	LH RA
C		REV ECO-11-010380	20MAY2011	LH RA
D		REV PER ECO-14-001886	10FEB14	JB RA
E		REV PER BNS_CD_BRAND	09FEB2017	GG DC

1. MATERIAL: FACEPLATE - ABS MOLDING COMPOUND.  
 SEE TABLE FOR COLOR.  
 LABEL COVER - ABS MOLDING COMPOUND, CLEAR.  
 LABEL - WHITE INDEX PAPER.  
 SCREW - ZINC PLATED CARBON STEEL.  
 2. THIS KIT SHIPPED NOT ASSEMBLED.



1-1375155-3	ALPINE WHITE
1-1375155-1	ELECTRIC IVORY
1375155-4	NEMA GRAY
1375155-3	WHITE
1375155-2	BLACK
1375155-1	LIGHT ALMOND
PART NO	COLOR

THIS DRAWING IS A CONTROLLED DOCUMENT.		OWN T. PITTS	07FEB02	<b>COMMSCOPE, INC.</b>	
DIMENSIONS: MM [INCHES]		CHK L. SMITH	03MAY02		
TOLERANCES UNLESS OTHERWISE SPECIFIED:		APPROV G. ROWMAN	03MAY02	NAME KIT, FACEPLATE, ANGLED, 2 PORT	
0 PLC ±		PRODUCT SPEC		SIZE CAGE CODE DRAWING NO	
1 PLC ±		APPLICATION SPEC		RESTRICTED TO	
2 PLC ±		408-3282		A1 C=1375155	
3 PLC ±		WEIGHT		SCALE 2:1 SHEET 1 OF 1 REV E	
4 PLC ±		Customer Drawing			
ANGLES ±					
FINISH					