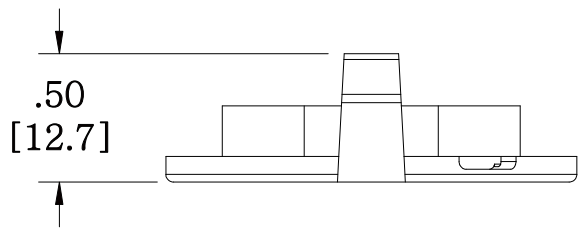
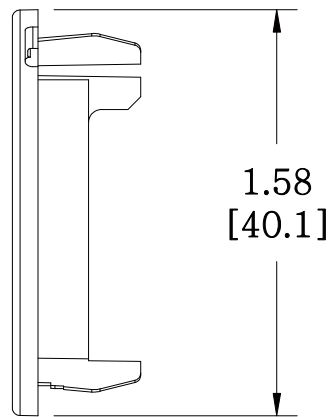
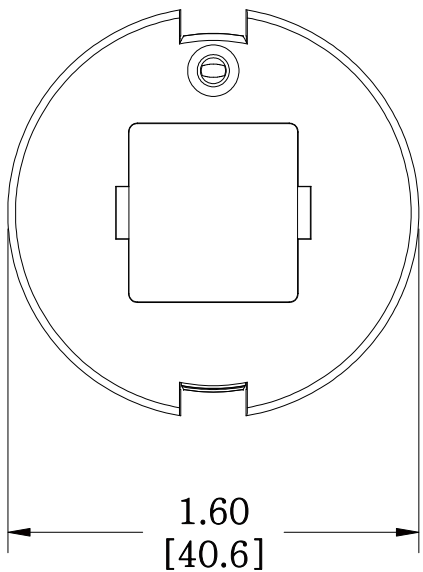


MATERIAL ID	DESCRIPTION
106986110	CIRCULAR MOUNTING COLLAR, IVORY



- NOTES:
- SEE COMMSCOPE CATALOG FOR PART NUMBER SUFFIXES TO INDICATE COLOR/PKG.
  - SEE COMMSCOPE CATALOG FOR COMPLETE LIST OF PARTS RELATED TO THE USE OF THIS PRODUCT.
  - DIMENSIONS IN PARENTHESES ARE IN METRIC.
  - PART INCLUDES:  
(1) COLLAR, CIRCULAR



M30CC-246	
<b>COMMSCOPE, INC</b> OF NORTH CAROLINA	
DRAWN BY TZ	DWG NO 106986110
DATE 8/6/2012	

REV	DATE	ECR	DESCRIPTION	APPROVED BY
1	8/6/12		INITIAL ISSUE	