

Installation Instructions

dB TripleTree™ Mounting Kit

For Mounting Antennas to DB800TREE Stand 800TREEKIT

Andrew Institute offers installation training.

GENERAL INFORMATION

The 800TREEKIT is used for mounting antennas in a tree configuration to Andrew's universal tree stand (DB800TREE). This kit includes mounting brackets, mounting plates, spacers, and hardware for installing various styles of antennas (Table 1).

The installation procedures described in this bulletin are separated into two sections, based on the mounting design of the antenna. See Figure 1 to determine which installation type is needed for your antenna(s).

PARTS LIST

Item	Part No.	Description
1	081698-001	Mounting Pole Bracket
2	081695-001	Upper Mounting Bracket
3	081697-001	Lower Mounting Bracket
4	007020-011	3/8-16 Galv. Hex Nut
5	007022-008	3/8 in. Galv. Lockwasher
6	007028-223	3/8-16 x 1 in. Galv. Hex HD Bolt
7	007021-008	3/8 in. Galv. Flat Washer
8	007011-007	5/16 in. Medium Split Lockwasher
9	007003-185	5/16-18 x 1-1/4 SST Hex HD Bolt
10	007010-006	5/16 SST Flat Washer
11	007003-192	5/16-18 x 2-1/2 SST Hex HD Bolt
12	085015-001	Spacing Tube
13	084850-001	11.5 in. Spacing Bracket
14	084909-001	12.86 in. Spacing Bracket
15	007003-182	5/16-18 x 7/8 in. SST Hex HD Bolt
16	602775	Mounting Plate
17	100521-37	M10 Washer, SST Passivate
18	600419-8	M8x1.25x25mm SST Carriage Bolt
19	204002-17	M8 Washer, SST Passivate
20	204003-6	M8 Helical Lockwasher, SST Passivate
21	204001-15	M8 Hex HD Nut, SST Passivate

Table 1. 800TREEKIT Parts List.

NOTICE

The installation, maintenance, or removal of an antenna requires qualified, experienced personnel. Andrew Solutions installation instructions are written for such installation personnel. Antenna systems should be inspected once a year by qualified personnel to verify proper installation, maintenance, and condition of equipment.

Andrew disclaims any liability or responsibility for the results of improper or unsafe installation practices.



Do not install near power lines. Power lines, telephone lines, and guy wires look the same. Assume any wire or line can electrocute you.



Do not install on a wet or windy day or when lightning or thunder is in the area. Do not use metal ladder.



Wear shoes with rubber soles and heels. Wear protective clothing including a long-sleeved shirt and rubber gloves.

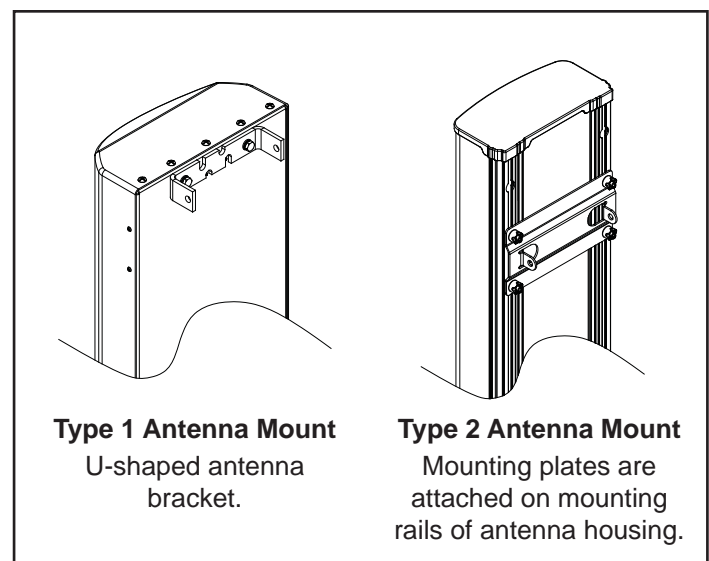


Figure 1. Determine the Installation Procedure Needed Based on the Standard Antenna Mount Used.

(continued on page 2)

(Continued from page 1)

TYPE 1 ANTENNA MOUNT INSTRUCTIONS

1. Remove the “U” shaped mounting brackets from the back of the antenna and save the hardware (Figure 2a).
2. If the antenna has three mounting brackets, insert the hardware, saved from one of the brackets, into the middle bracket holes on the back of the antenna (Figure 2b). **Ensure that the mounting holes are completely covered to block debris and moisture from entering the antenna.**
3. Referencing Figure 3, determine if a spacer will be needed to offset the antenna. Using the hardware and spacers provided, attach the 800TREEKIT brackets (Items 2 and 3) to the top and bottom of the antenna (Figure 3).

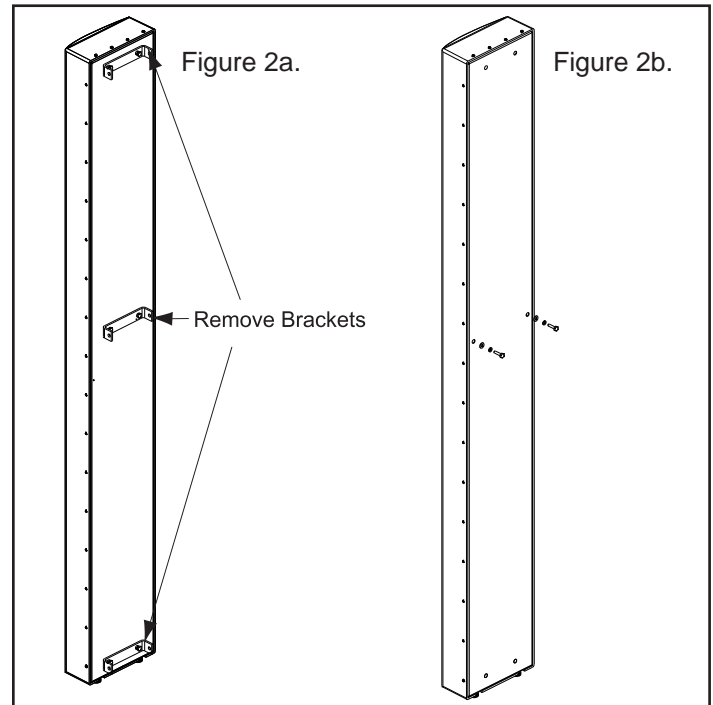


Figure 2. Removing Factory Installed Antenna Brackets.

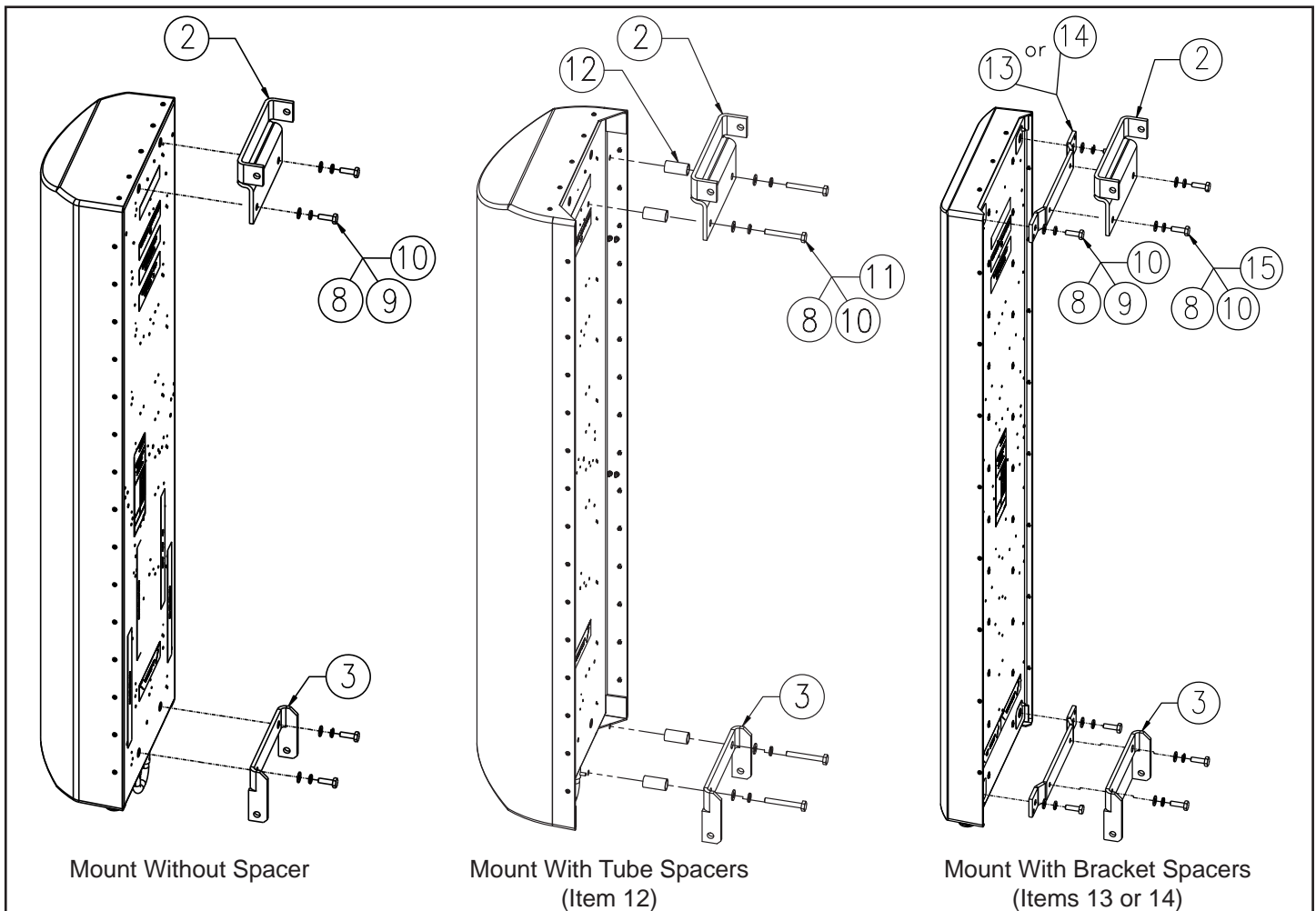


Figure 3. Attaching Mounting Brackets to Type 1 Antennas.

(Continued from page 2)

4. Adjust the telescoping pole to the appropriate height (see Installation Bulletin 095470-000).
5. Remove and save the nuts and washers from the top and bottom mounting ring tabs for each sector that will be used to attach an antenna (Figure 4).
6. Slide the pole brackets (Item 1) onto the carriage bolts that extend outward from the mounting ring tabs. Using the hardware saved from the previous step, secure the brackets to the mounting rings (Figure 4).
7. If mechanical downtilting will be used, assemble the downtilt bracket(s) as described in its installation bulletin (see Bulletin 095351-000 for DB5083/DB5083D kits). Attach the assembled downtilt brackets to the 800TREEKIT bracket on the antenna.
8. Measure the center-to-center distance (noted as distance A in Figure 5) for the antenna mounting bracket holes and the pole bracket holes (Figure 5).
9. If a mounting ring needs to be repositioned on the stand in order to line up the mounting holes with the antenna, loosen the M8 x 1.25 x 35mm carriage bolt on the mounting ring and slide the ring to its new position. Tighten the carriage bolt to secure after adjustment is made (Figure 5).

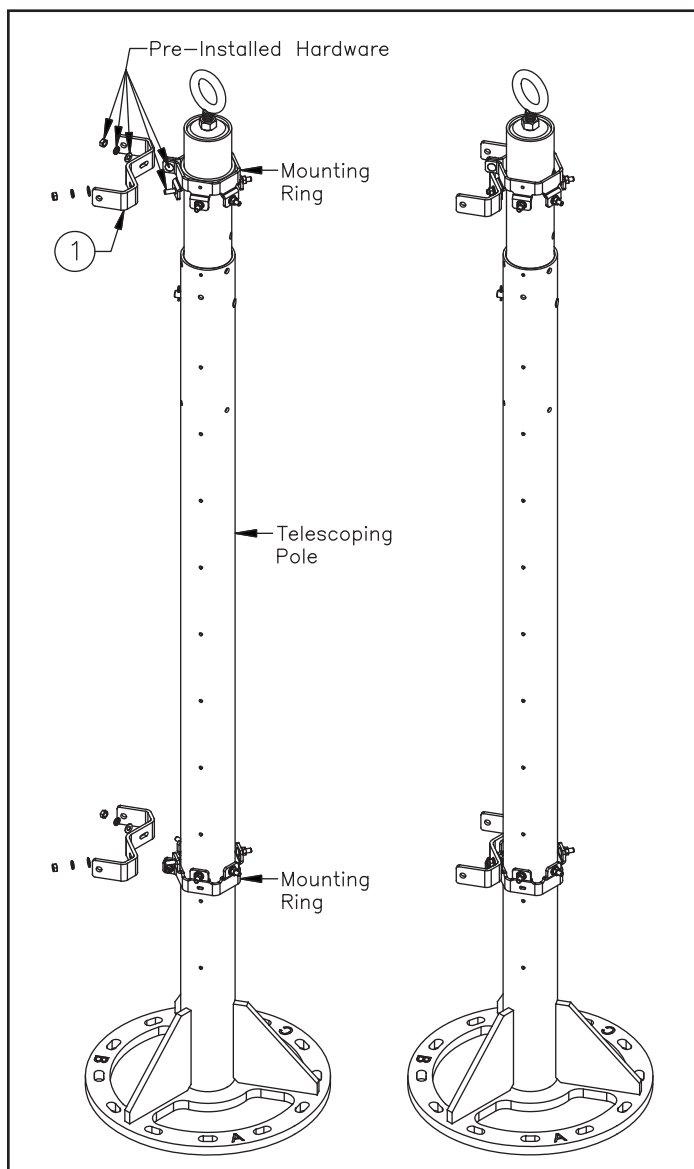


Figure 4. Attaching Pole Brackets to Universal Tree Stand.

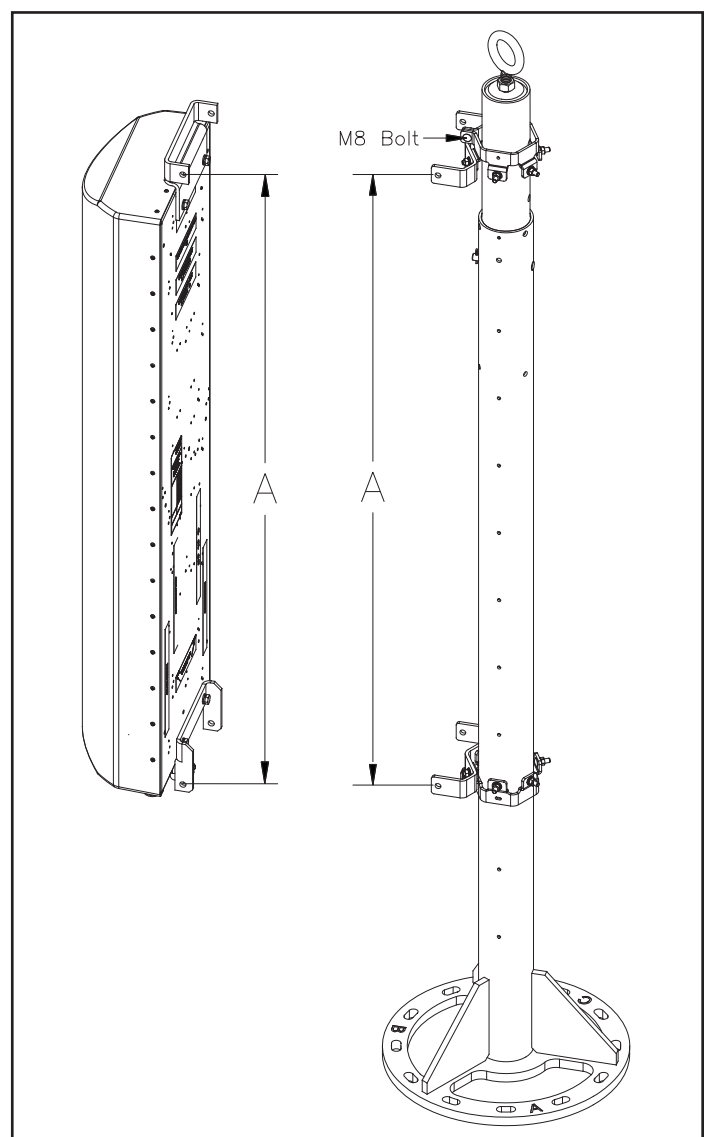


Figure 5. Aligning Mounting Rings on Universal Tree Stand to Mounting Holes on Antenna Mounting Brackets.

(Continued from page 3)

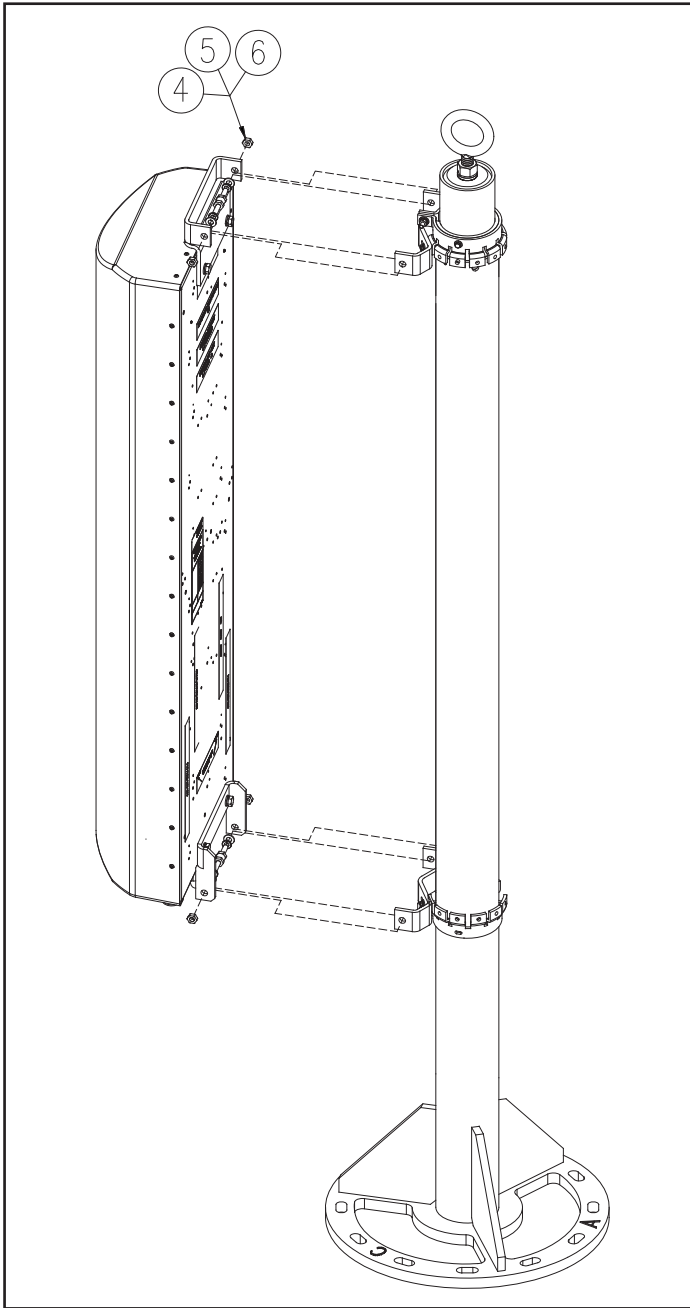


Figure 6. Attaching Type 1 Antennas to the Universal Tree Stand.

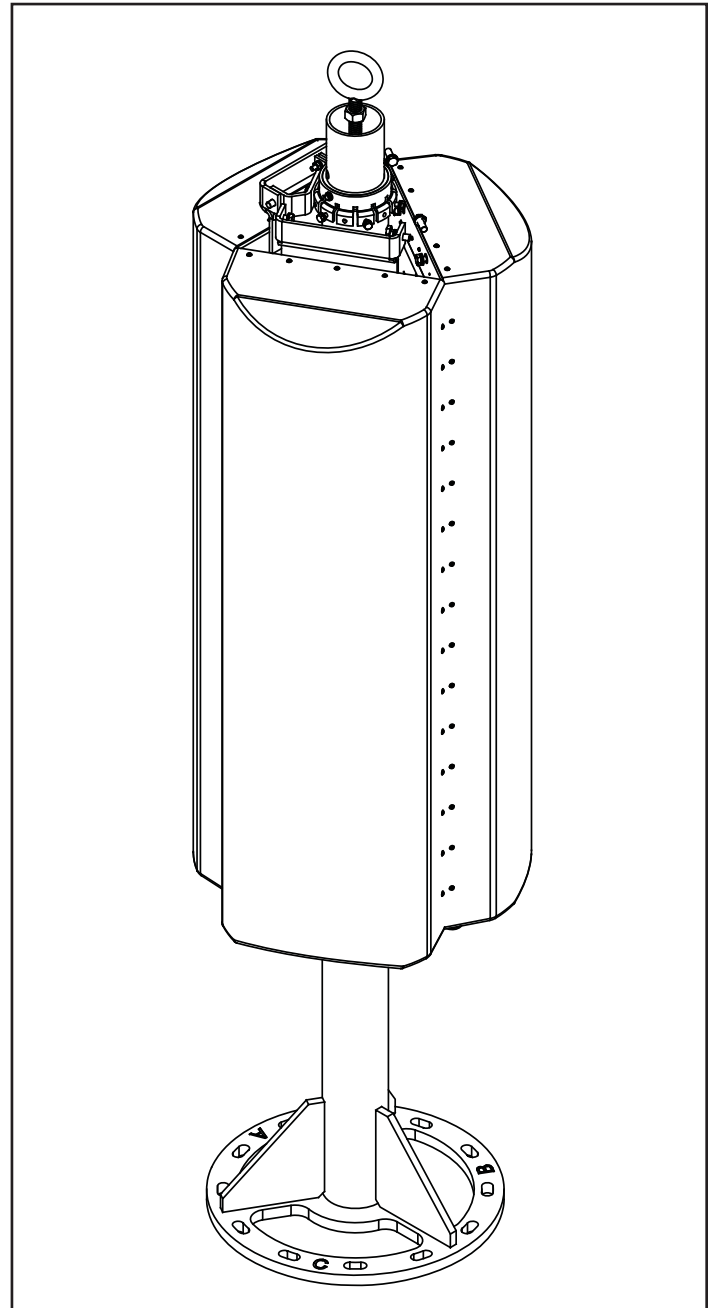


Figure 7. Fully Assembled Tree Configuration.

10. Attach the antenna to the bracket on the stand using the hardware provided. Tighten all hardware (Figure 6).
11. Repeat the procedures discussed in this section (as applicable) to attach remaining antennas to the universal tree stand. See Figure 7 for an example of a completed tree mount.

(Continued from page 4)

TYPE 2 ANTENNA MOUNTING INSTRUCTIONS

1. Insert the M8 SST carriage bolts (Item 18 in Figure 8) into the antenna mounting rails and slide them into position. Place an M10 SST washer (Item 17 in Figure 8) on each M8 carriage bolt.
2. Attach the mounting plates to the back of the antenna using the M8 hardware provided (Figure 9).

NOTE: If the antenna is equipped with a protective shroud to prevent damage to an RET (remote electrical tilt) actuator, remove the shroud to attach the bottom mounting plate.

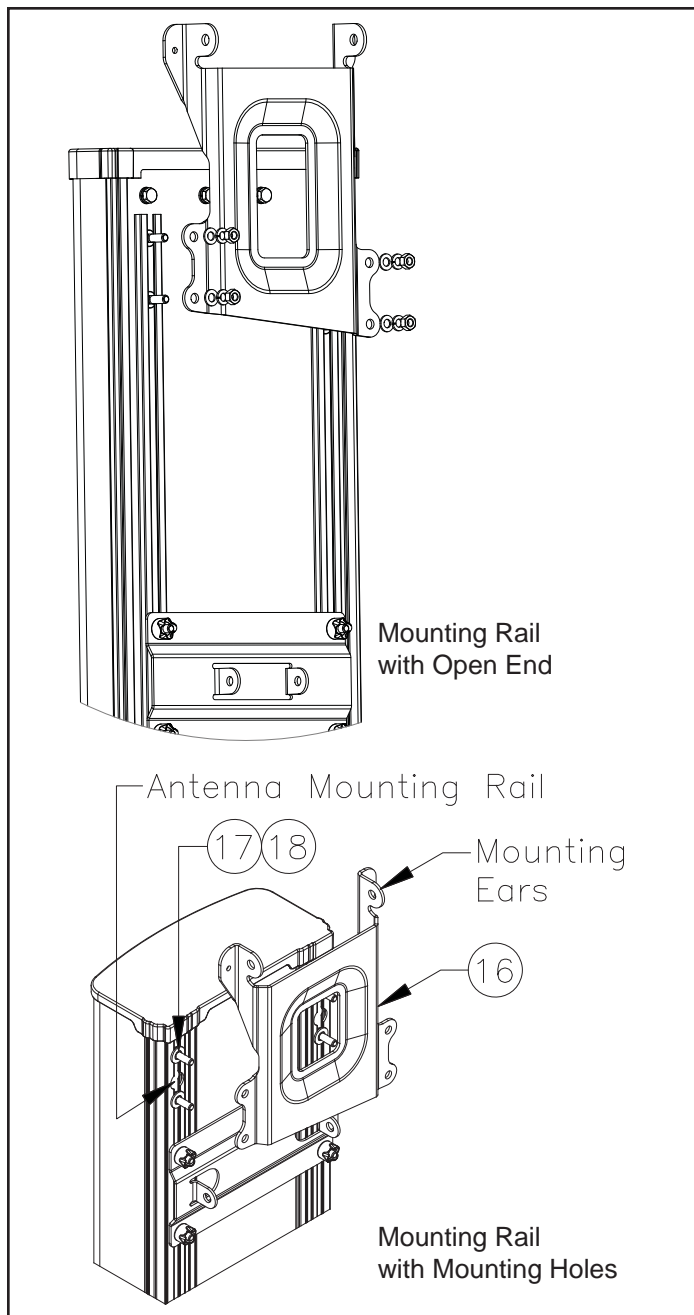


Figure 8. Inserting Carriage Bolts into Mounting Rails and Positioning Top Mounting Plate for Type 2 Antennas.

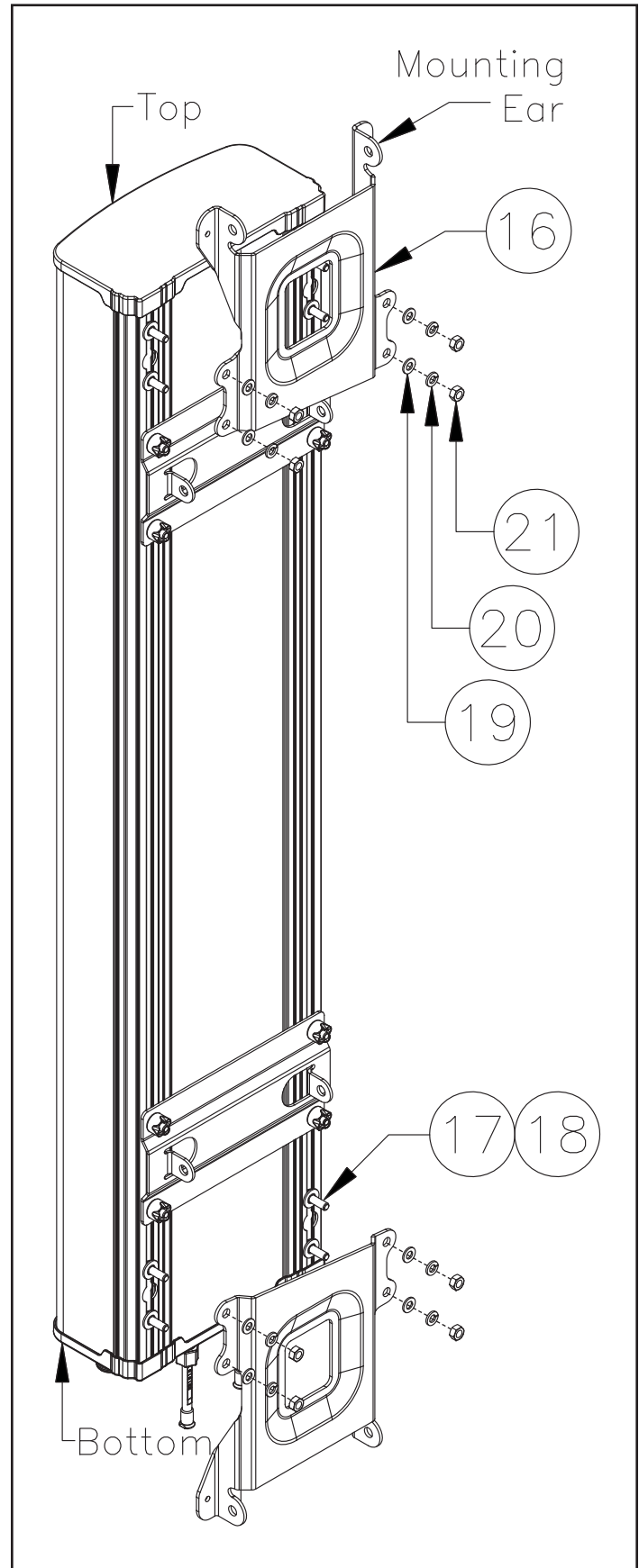


Figure 9. Attaching Mounting Plates to Type 2 Antennas (see www.andrew.com for the latest list of models).

(Continued from page 5)

3. Adjust the telescoping pole to the appropriate height (see Installation Bulletin 095470-000).
4. Remove and save the nuts and washers from the top and bottom mounting ring tabs for each sector that will be used to attach an antenna (Figure 10).
5. Slide the pole brackets (Item 1) onto the carriage bolts that extend outward from the mounting ring tabs. Using the hardware saved from the previous step, secure the brackets to the mounting rings (Figure 10).
6. If mechanical downtilting will be used, assemble the downtilt bracket(s) as described in its installation bulletin (see Bulletin 237546 for 600899A-2 kit). Attach the assembled downtilt brackets to the 800TREEKIT bracket on the antenna.
7. Measure the center-to-center distance (noted as distance A in Figure 11) for the antenna mounting bracket holes and the pole bracket holes (Figure 11).
8. If a mounting ring needs to be repositioned on the stand in order to line up the mounting holes with the antenna, loosen the M8 x 1.25 x 35mm carriage bolt on the mounting ring and slide the ring to its new position. Tighten the carriage bolt to secure after adjustment is made (Figure 11).
9. Attach the antenna to the bracket on the stand using the hardware provided. Tighten all hardware (Figure 12).
10. Repeat the procedures discussed in this section to attach remaining antennas to the universal tree stand.

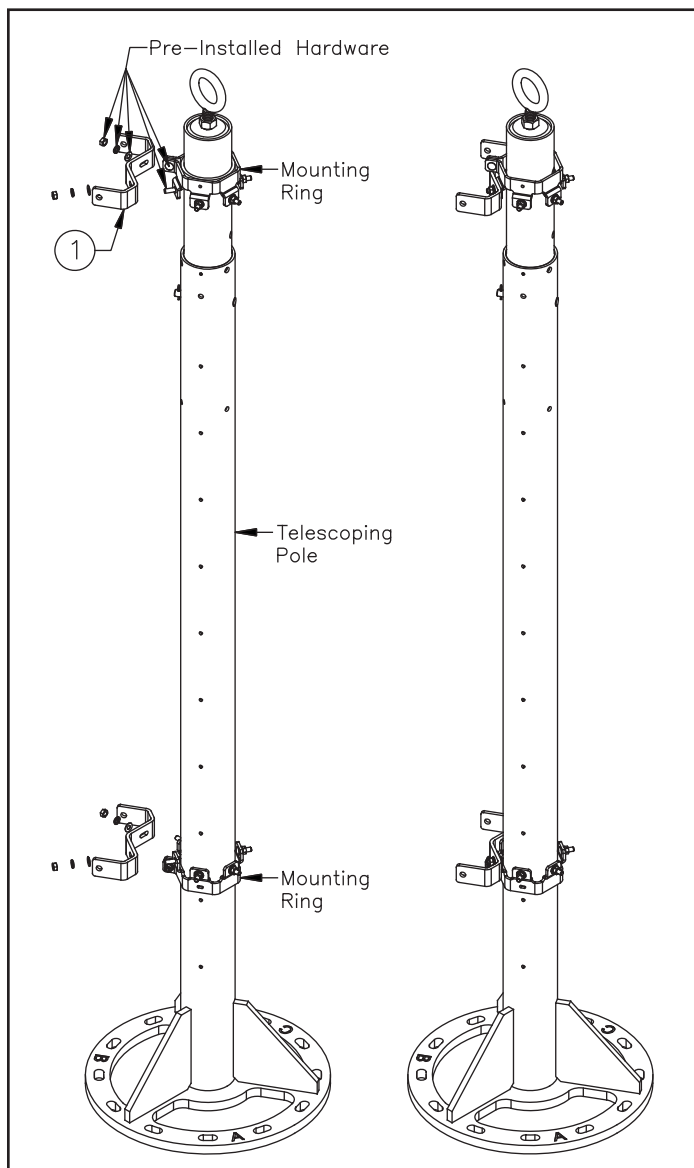


Figure 10. Attaching Pole Brackets to Universal Tree Stand.

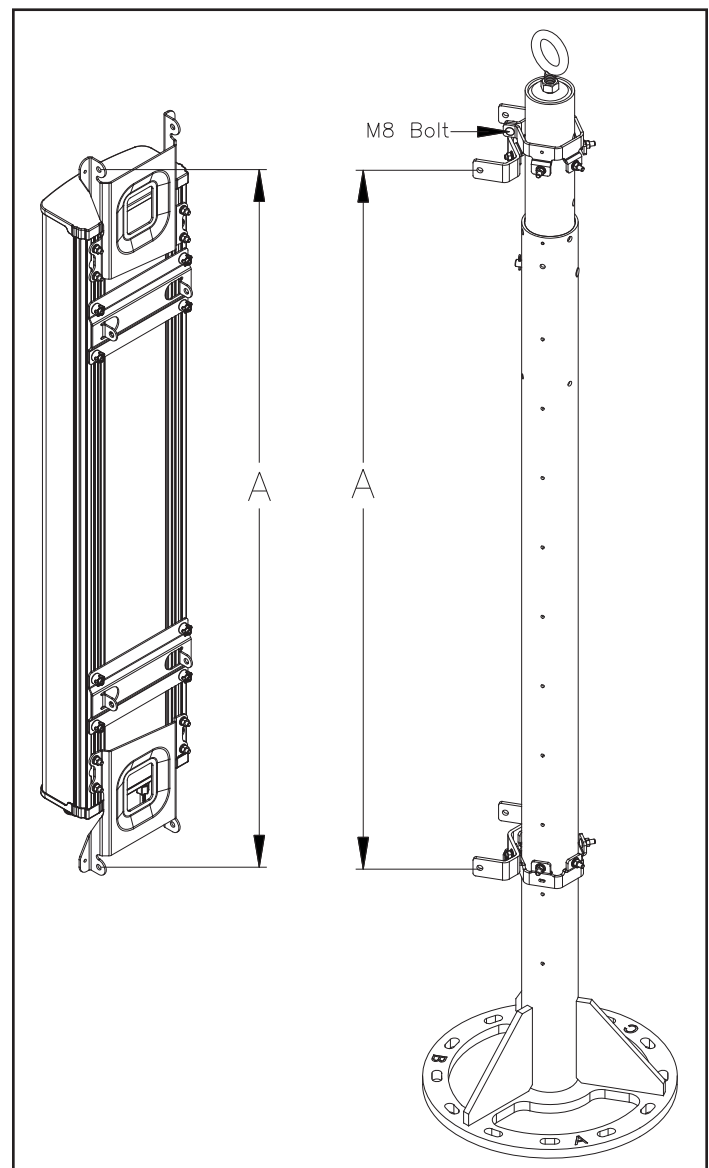


Figure 11. Aligning Mounting Rings on Universal Tree Stand to Mounting Holes on Antenna Mounting Brackets.

(Continued from page 6)

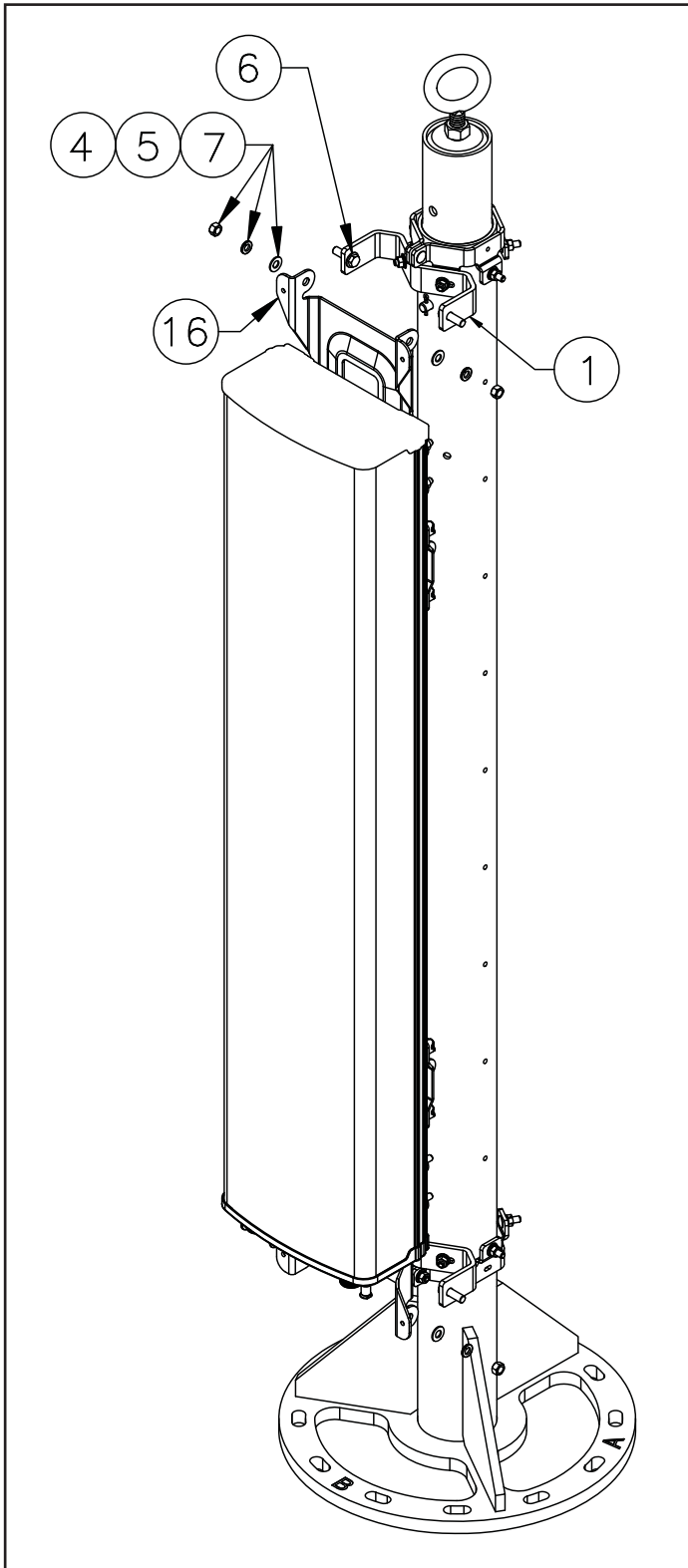


Figure 12. Attaching Antenna to DB800TREE Stand.

Andrew Solutions
Customer Support Center
North America: +1-800-255-1479
International: +1-779-435-6500

www.andrew.com
Visit our Web site at www.andrew.com or contact your local Andrew Solutions representative for more information.
© 2009 CommScope, Inc. All rights reserved.
Andrew Solutions is a trademark of CommScope. All trademarks identified by ® or ™ are registered trademarks or trademarks, respectively, of CommScope. This document is for planning purposes only and is not intended to modify or supplement any specifications or warranties relating to Andrew Solutions products or services.