

095350-000 Revision F, May 2016

Directional Antennas
ASPJ810

GENERAL INFORMATION

- These vertically polarized antennas come complete with a heavy duty “U” bolt and bracket for mounting to a round support structure. The mounting assembly allows the antennas to be mounted on the top or side of a tower leg. The mounting bracket also permits rapid azimuth orientation.
- When mounting the antenna, make sure that the elements clear all guywires or other metal objects by at least 2 to 3 feet.

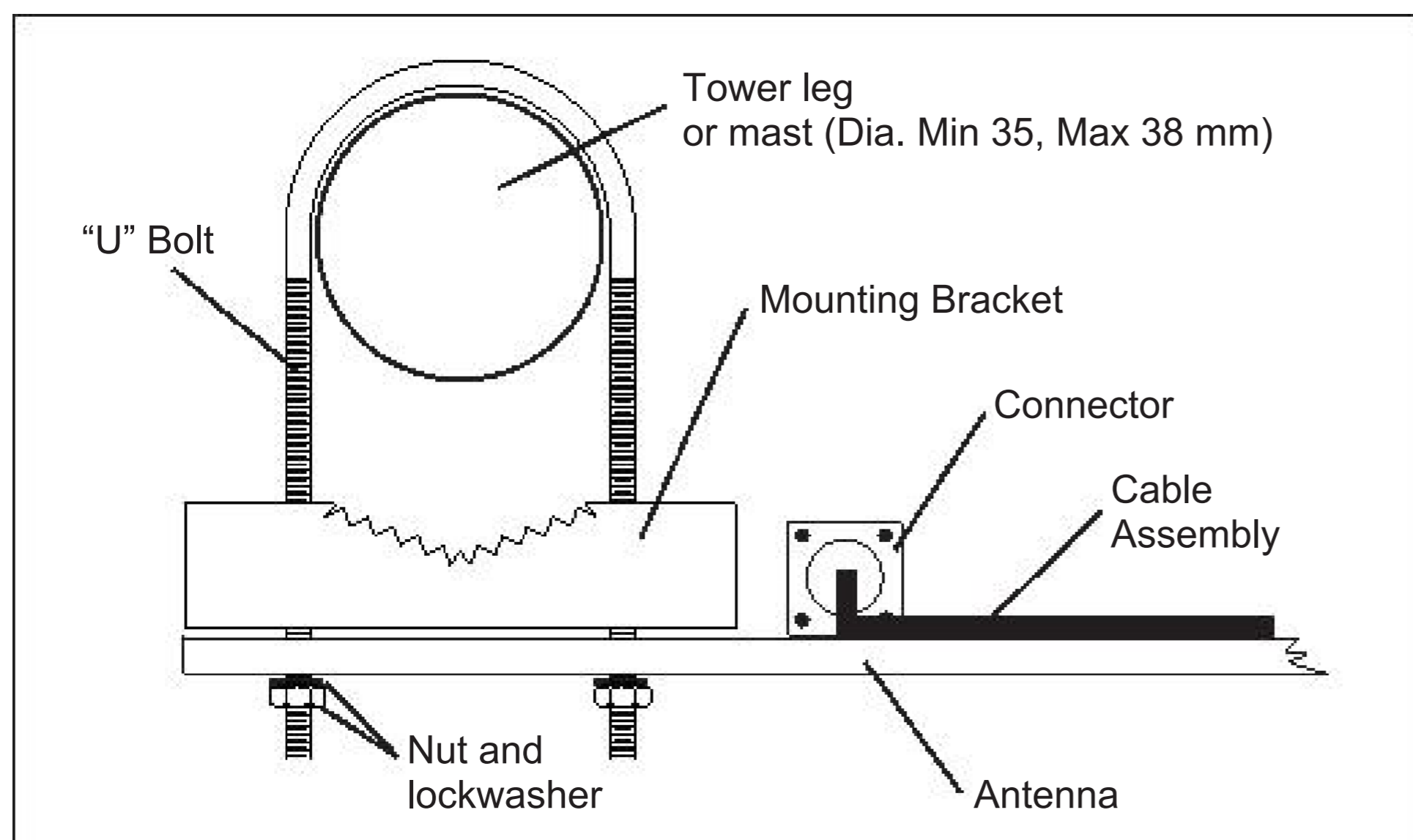


Figure 1. Mounting Clamp Detail (Top View).

PRE-INSTALLATION INSTRUCTIONS

- Examine antenna and hardware to ensure that all parts are enclosed and that there is no physical damage.
- Check to ensure that the antenna feed connector mates with the jumper cable.
- Verify that the frequency range for the antenna matches the frequency range of the station equipment.

SAFETY NOTICE

The installation, maintenance, or removal of an antenna requires qualified, experienced personnel. CommScope installation instructions are written for such installation personnel. Antenna systems should be inspected once a year by qualified personnel to verify proper installation, maintenance, and condition of equipment.

CommScope disclaims any liability or responsibility for the results of improper or unsafe installation practices.

It is recommended that transmit power be turned off when the field installation is performed. Follow all applicable safety precautions as shown on this page.

INSTALLATION INSTRUCTIONS

- Determine the direction of the desired maximum range and the tower leg on which the antenna is to be mounted.
- Mount the antenna to the tower using the supplied “U” bolt and bracket.
- Make sure the antenna is properly positioned with the gamma-matched element/radome pointing upward.
- Orient the antenna in the desired direction.
- Tighten the mounting clamps securely to avoid movement after alignment.

Refer to Figure 1.

POST INSTALLATION INSTRUCTIONS

- Check the VSWR as measured at the antenna and record this measurement for future reference.
- Connect the station transmission line (not supplied) to the antenna. Make the connection snug, but do not apply heavy force with pliers.
- Carefully weatherproof all connections, covering all cracks and the outer jacket of the transmission line. Failure to waterproof the connection could result in improper operation of the antenna.
- Secure the transmission line to the tower in the best position to avoid physical damage to the cable.
- After the antenna and transmission line have been installed, a careful visual check should be made to ensure that:
 - All mechanical connections have been securely made and the antenna is mounted with sufficient physical clearance.
 - The antenna is mounted with the gamma matched element/radome in the “up” position.
 - All connections have been carefully wrapped to prevent moisture problems.



Do not install near power lines. Power lines, telephone lines, and guy wires look the same. Assume any wire or line can electrocute you.



Do not install on a wet or windy day or when lightning or thunder is in the area. Do not use metal ladder.



Wear shoes with rubber soles and heels. Wear protective clothing including a long-sleeved shirt and rubber gloves.