

095211-000 Revision M, May 2016

Fiberglass Outriggers and Side Mount

DB5030 and DB5004S-MTD™ (Outriggers)
DB5004 (Side Mount)

GENERAL INFORMATION

- DB5030 (Figure 1) and DB5004S-MTD (Figure 2) outriggers are designed to limit tip deflection on fiberglass antennas in high wind conditions.
- B5030 can be used for smaller side-mounted fiberglass antennas, measuring less than 2 inches O.D.
- DB5004S-MTD can be used for larger side-mounted fiberglass antennas with 2-inch O.D. radomes. Two optional 14-inch tie wraps can be used with this outrigger to provide additional support for the antenna.
- Both DB5030 and DB5004S-MTD outriggers are 123 inches (3.1 m) in length and attach to the tower legs using two DB375 mounting clamps.
- Plastic ends on both outriggers are fitted with neoprene tape lining that slips over the top of the antenna and sits about midpoint on the radome.
- DB5004 (Figure 4) is an adjustable side mount kit that mounts across the face of the tower. This kit includes two 10-foot sections of pipe and six clamp assemblies.
- Carefully read all instructions before installation begins.
- Verify that all required hardware is present.
- Follow the instructions that are included with the antenna along with the instructions described in this bulletin.

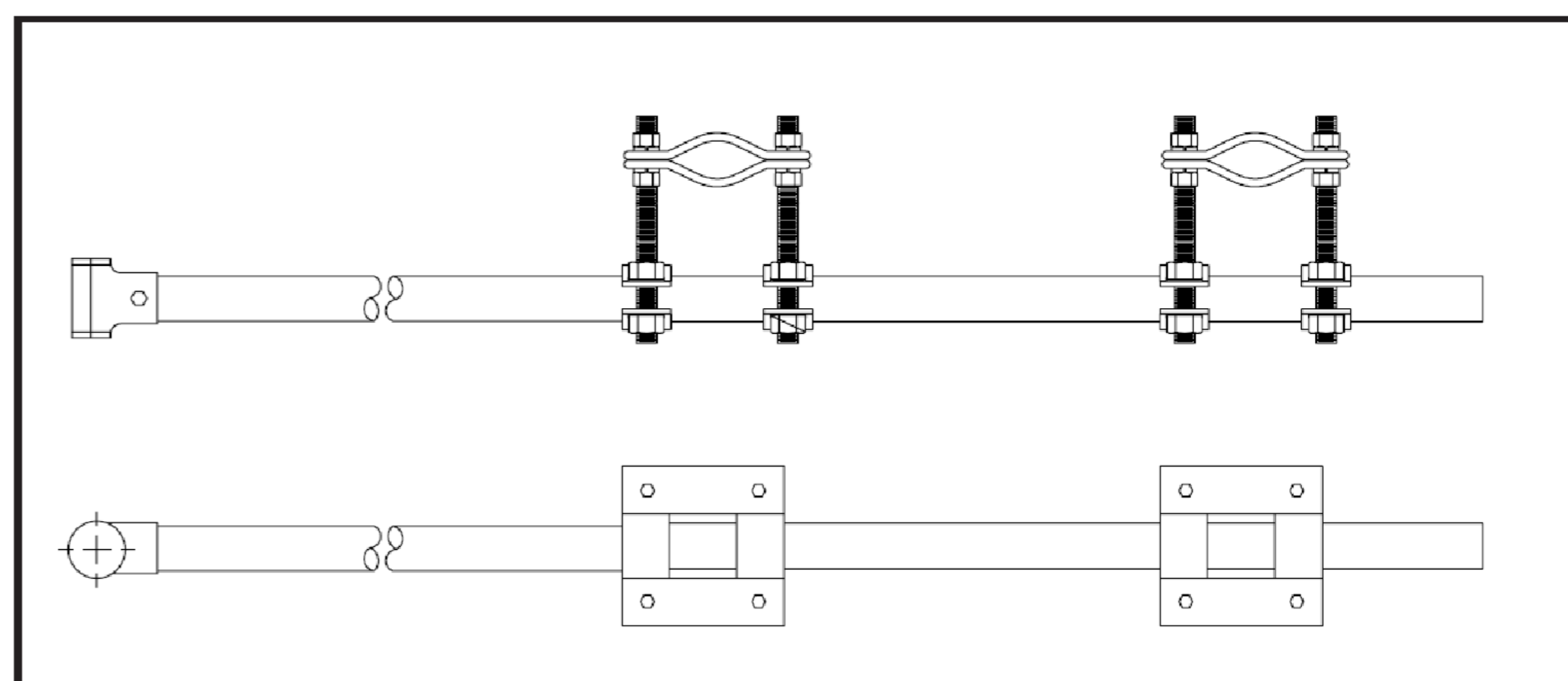


Figure 1. DB5030 Fiberglass Outrigger Assembly.

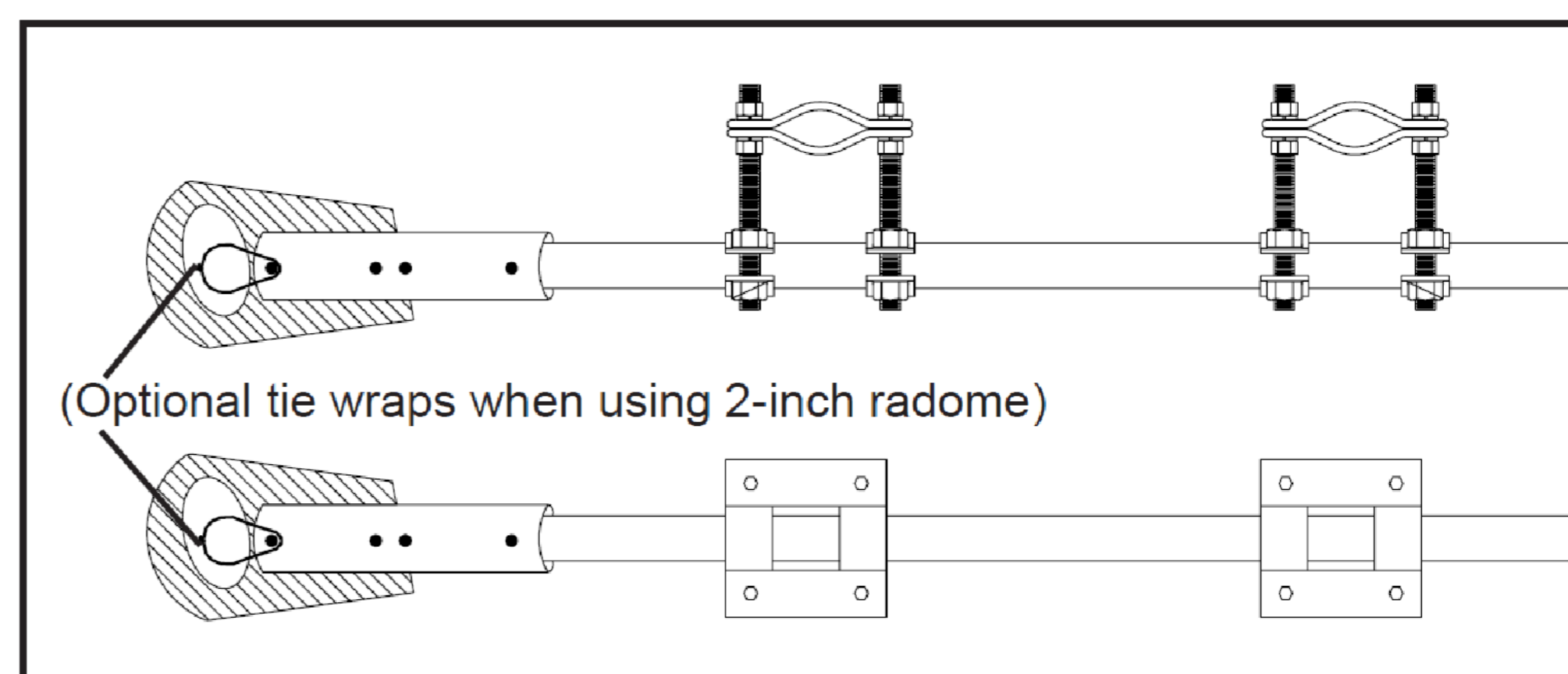


Figure 2. DB5004S-MTD™ Fiberglass Outrigger Assembly.

(continued on page 2)

SAFETY NOTICE

The installation, maintenance, or removal of an antenna requires qualified, experienced personnel. CommScope installation instructions are written for such installation personnel. Antenna systems should be inspected once a year by qualified personnel to verify proper installation, maintenance, and condition of equipment.

CommScope disclaims any liability or responsibility for the results of improper or unsafe installation practices.

It is recommended that transmit power be turned off when the field installation is performed. Follow all applicable safety precautions as shown on this page.



Do not install near power lines. Power lines, telephone lines, and guy wires look the same. Assume any wire or line can electrocute you.



Do not install on a wet or windy day or when lightning or thunder is in the area. Do not use metal ladder.



Wear shoes with rubber soles and heels. Wear protective clothing including a long-sleeved shirt and rubber gloves.

(Continued from page 1)

DB5030/DB5004S-MTD MOUNTING INSTRUCTIONS

1. Drop the outrigger antenna-end piece over the top of the antenna radome. Exercise care so that the weight of the outrigger does not bear on the antenna radome.
2. Lower the outrigger until it engages the radome at a point where little or no clearance exists between the end-piece and the radome. The distance the outrigger will travel down the radome will vary depending on the antenna model.
3. If necessary, move the outrigger upward from this point to a suitable anchoring position on the tower.
4. Anchor the outrigger to the face of the tower using two DB375 mounting clamps.
5. Tighten all hardware.
6. Use optional 14-inch tie wrap to secure antennas with 2-inch O.D. radomes, for additional support (Figure 3). See Figure 4 for example of completed assembly.

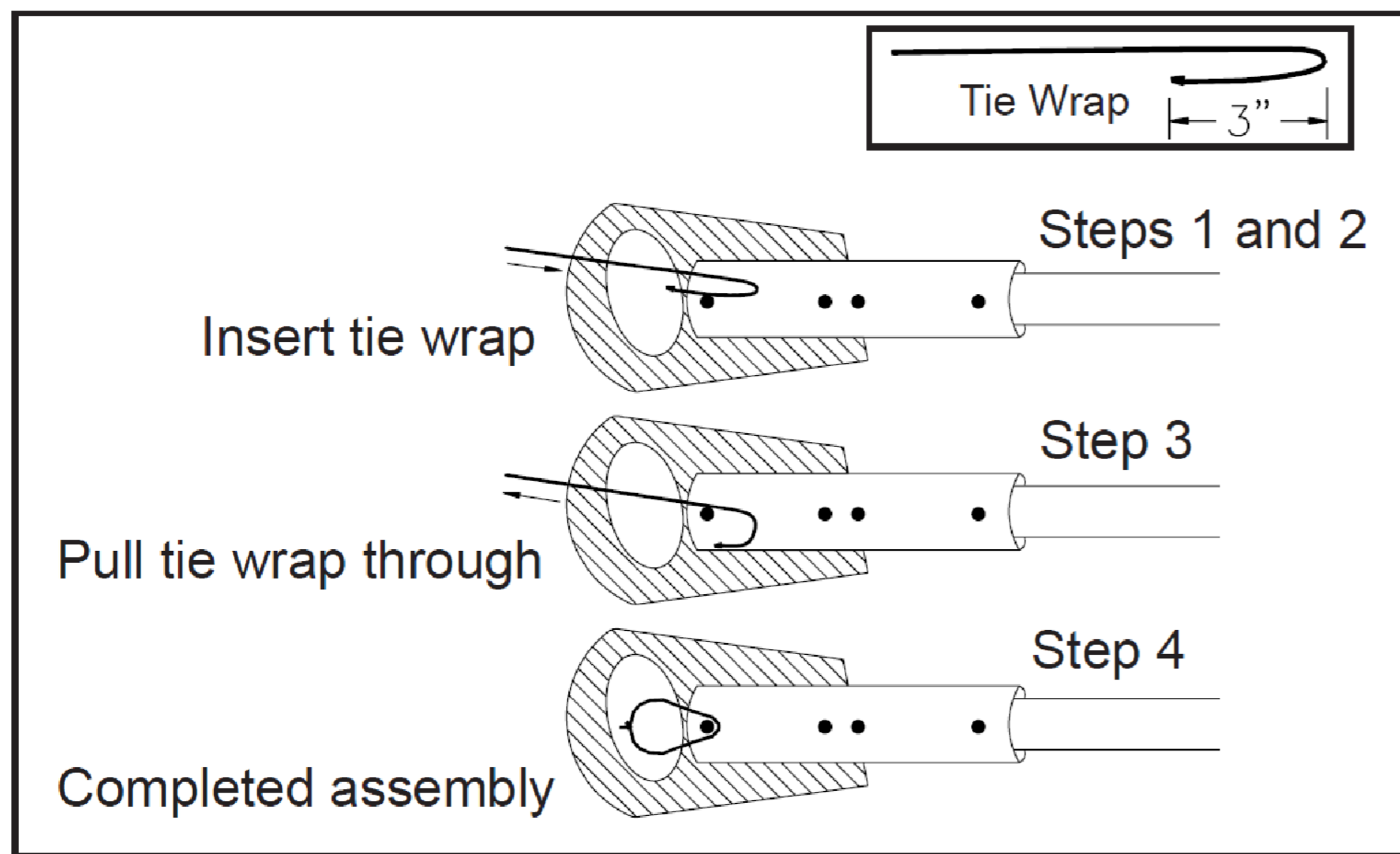


Figure 3. Example of Securing Antenna with Tie Wraps when Installing 2-inch Radome Antenna.

DB5004 MOUNTING INSTRUCTIONS

1. Attach the side mount across the face of the tower and to the antenna using hardware supplied with kit.
 2. Tighten all hardware.
- See Figure 4 for example of completed assembly.

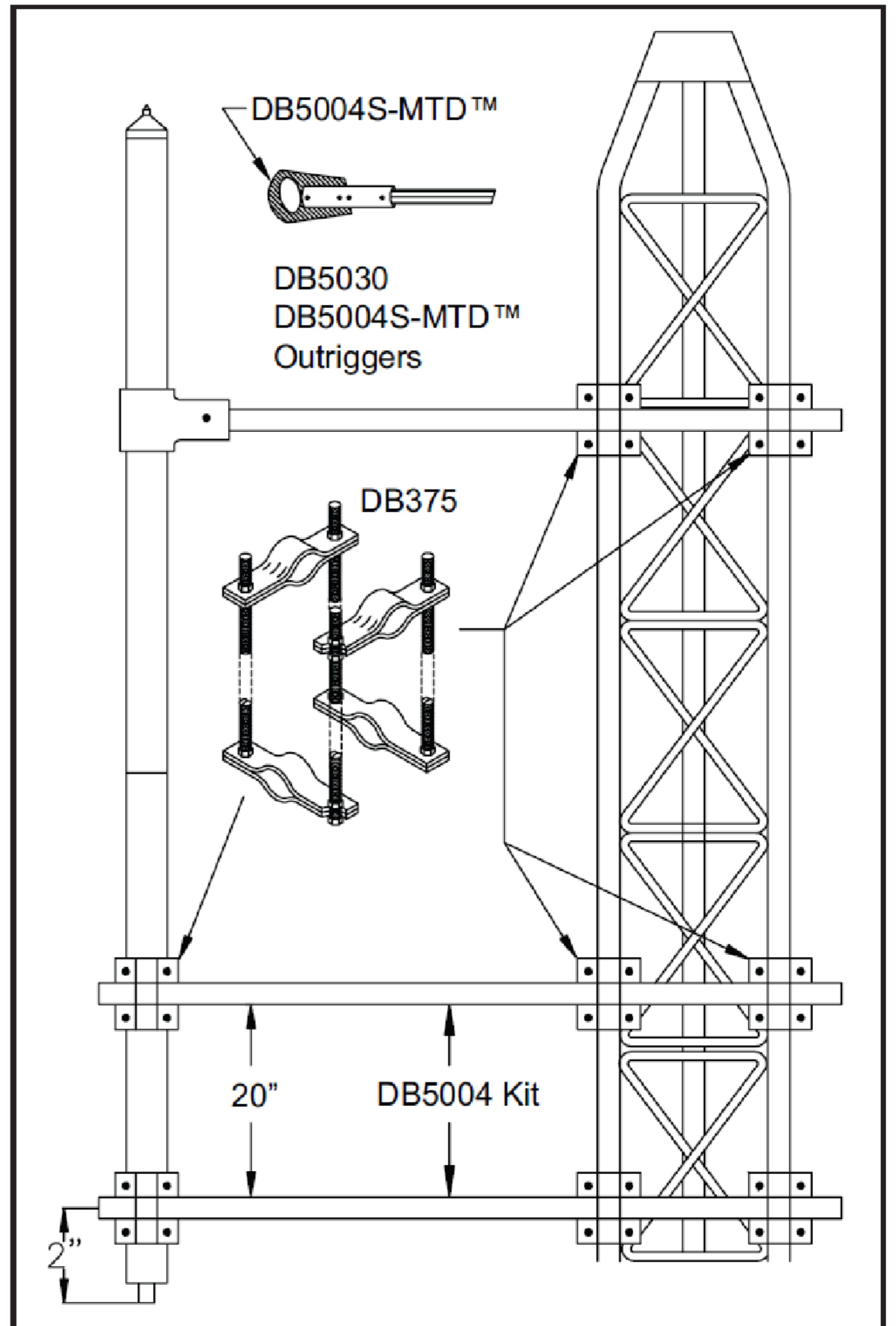


Figure 4. Example of Antenna Showing DB5030 Series Fiberglass Outrigger Assembly and DB5004 Adjustable Side Mount Kit.