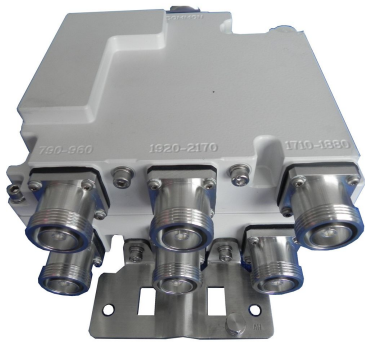


E11F05P50



Twin Triplexer 900/1800/UMTS, no dc bypass

OBSOLETE

This product was discontinued on: July 1, 2022

Replaced By:

E14F10P47

Ultra Compact Twin Triplexer 698-960/1800/2100-2700, 4.3-10 connectors

Product Classification

Product Type Triplexer

General Specifications

Product Family CBC81821

Color Gray

Common Port Label Common

Modularity 2-Twin

Mounting Pole | Wall

Mounting Pipe Hardware Band clamps (2)

RF Connector Interface 7-16 DIN Female

RF Connector Interface Body Style Medium neck

Dimensions

Height 151 mm | 5.945 in

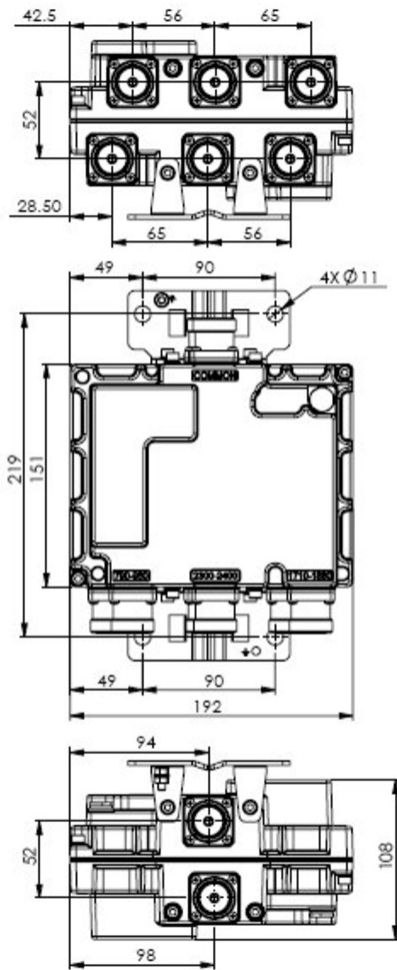
Width 108 mm | 4.252 in

Depth 192 mm | 7.559 in

Mounting Pipe Diameter Range 40–160 mm

Outline Drawing

E11F05P50



Electrical Specifications

Impedance	50 ohm
License Band, Band Pass	CEL 850 CEL 900 DCS 1800 EDD 800 IMT 2100 LMR 800 LMR 900

Electrical Specifications, dc Power/Alarm

Lightning Surge Current	10 kA
Lightning Surge Current Waveform	8/20 waveform

Electrical Specifications

Sub-module	1 2	1 2	1 2
Branch	1	2	3
Port Designation	790-960	1710-1880	1920-2170

E11F05P50

License Band

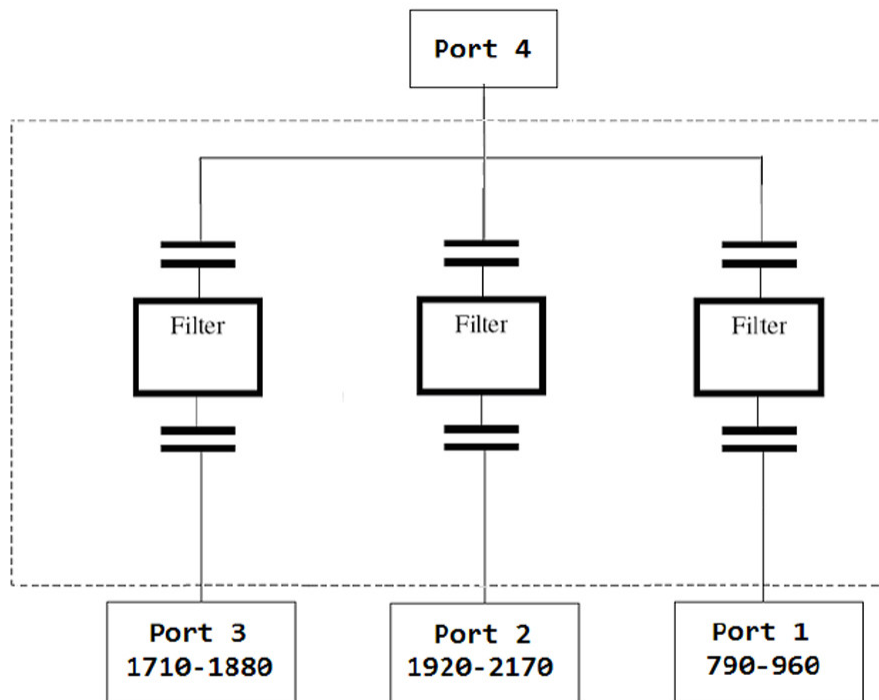
CEL 850, Band Pass
 CEL 900, Band Pass
 EDD 800, Band Pass
 LMR 800, Band Pass
 LMR 900, Band Pass

DCS 1800, Band Pass IMT 2100, Band Pass

Electrical Specifications, Band Pass

Frequency Range, MHz	790–960	1710–1880	1920–2170
Insertion Loss, typical, dB	0.15	0.2	0.2
Return Loss, minimum, dB	21	21	21
Return Loss, typical, dB	24	24	24
Isolation, minimum, dB	50	50	50
Input Power, RMS, maximum, W	350	250	250
Input Power, PEP, maximum, W	3000	2500	2500
3rd Order PIM, maximum, dBc	-153	-153	-153
3rd Order PIM Test Method	Two +43 dBm carriers	Two +43 dBm carriers	Two +43 dBm carriers

Block Diagram



E11F05P50

Environmental Specifications

Operating Temperature	-40 °C to +60 °C (-40 °F to +140 °F)
Relative Humidity	Up to 100%
Corrosion Test Method	IEC 60068-2-11, 30 days
Ingress Protection Test Method	IEC 60529:2001, IP67

Packaging and Weights

Included	Mounting hardware
Volume	3.1 L
Weight, net	4.7 kg 10.362 lb

Regulatory Compliance/Certifications

Agency	Classification
ISO 9001:2015	Designed, manufactured and/or distributed under this quality management system

