

E11F02P40



Triplexer 1710-1880/1920-2170/2300-2600, dc bypass port 1

OBSOLETE

This product was discontinued on: June 30, 2022

Replaced By:

E12F01P80

Triplexer 1710-1880/1920-2170/2300-2690, dc bypass on all ports, with 4.3-10 connectors

Product Classification

Product Type Triplexer

General Specifications

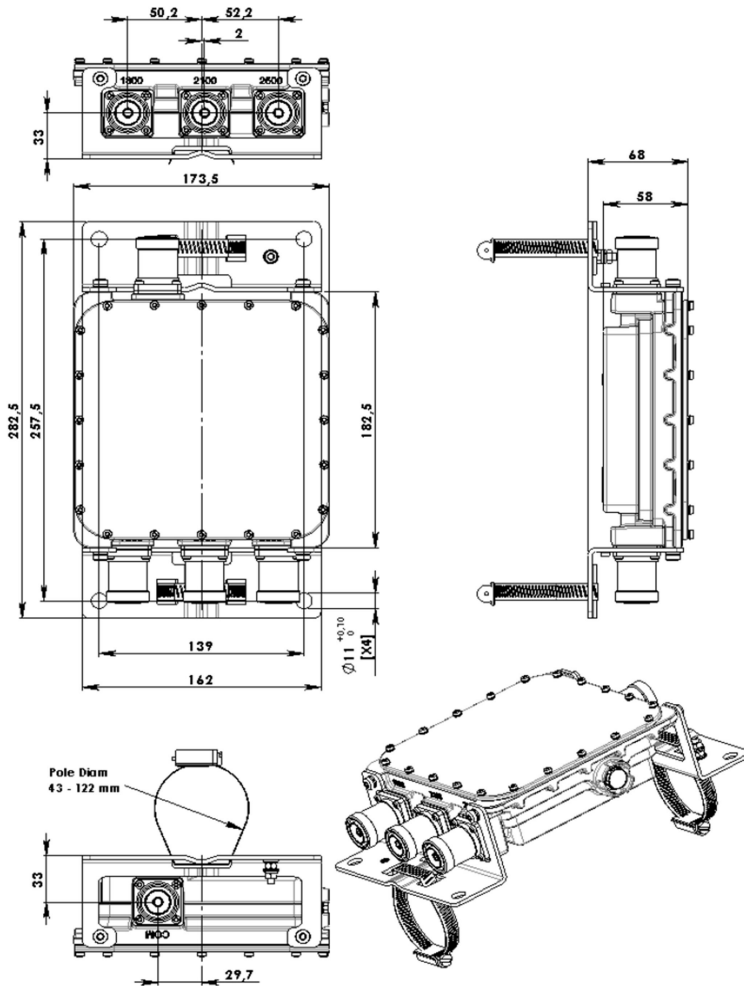
Product Family CBC182126
Color Gray
Common Port Label COM
Modularity 1-Single
Mounting Pole | Wall
Mounting Pipe Hardware Band clamps (2)
RF Connector Interface 7-16 DIN Female
RF Connector Interface Body Style Medium neck

Dimensions

Height 182.5 mm | 7.185 in
Width 58 mm | 2.283 in
Depth 173.5 mm | 6.831 in
Mounting Pipe Diameter Range 42.6–122 mm

E11F02P40

Outline Drawing



Electrical Specifications

| | |
|--------------------------------|--------------------------------|
| Impedance | 50 ohm |
| License Band, Band Pass | DCS 1800 IMT 2100 IMT 2600 |

Electrical Specifications, dc Power/Alarm

| | |
|--|---------------|
| dc/AISG Pass-through, combiner | Branch 1 |
| dc/AISG Pass-through, demultiplexer | Branch 1 |
| Lightning Surge Current | 5 kA |
| Lightning Surge Current Waveform | 8/20 waveform |

E11F02P40

Electrical Specifications

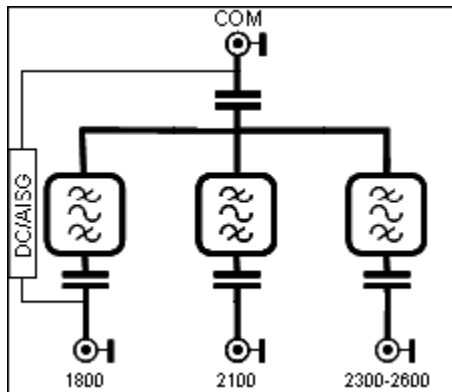
| | | | |
|-------------------------|---|----------|----------|
| Sub-module | 1 | 1 | 1 |
| Branch | 1 | 2 | 3 |
| Port Designation | 1800 | 2100 | 2600 |
| License Band | DCS 1800, Band Pass IMT 2100, Band Pass IMT 2600, Band Pass | | |

Electrical Specifications, Band Pass

| | | | |
|------------------------------------|----------------------|----------------------|----------------------|
| Frequency Range, MHz | 1710–1880 | 1920–2170 | 2300–2690 |
| Insertion Loss, typical, dB | 0.25 | 0.25 | 0.2 |
| Return Loss, minimum, dB | 18 | 18 | 18 |
| Return Loss, typical, dB | 20 | 20 | 20 |
| Isolation, minimum, dB | 50 | 50 | 50 |
| 3rd Order PIM, maximum, dBc | -155 | -155 | -155 |
| 3rd Order PIM Test Method | Two +43 dBm carriers | Two +43 dBm carriers | Two +43 dBm carriers |

E11F02P40

Block Diagram



Environmental Specifications

| | |
|---------------------------------------|--------------------------------------|
| Operating Temperature | -40 °C to +60 °C (-40 °F to +140 °F) |
| Relative Humidity | Up to 100% |
| Corrosion Test Method | IEC 60068-2-11, 30 days |
| Ingress Protection Test Method | IEC 60529:2001, IP67 |

Packaging and Weights

| | |
|--------------------|-------------------|
| Included | Mounting hardware |
| Volume | 1.8 L |
| Weight, net | 3.1 kg 6.834 lb |

Regulatory Compliance/Certifications

| Agency | Classification |
|---------------|--|
| ISO 9001:2015 | Designed, manufactured and/or distributed under this quality management system |

