

# E11F01P27

---



Wideband Triplexer LTE800-900/1800-UMTS/WIFI-LTE, dc bypass on all ports

**OBSOLETE**

This product was discontinued on: December 1, 2019

## Product Classification

**Product Type** Triplexer

## General Specifications

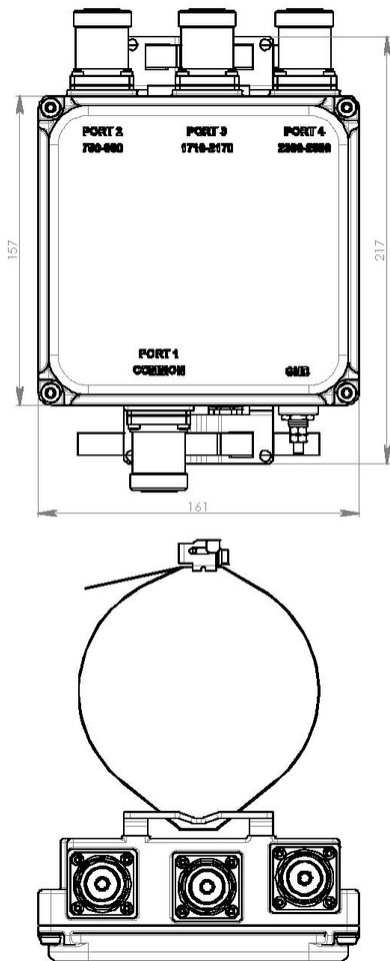
**Product Family** CBC82126  
**Color** Gray  
**Common Port Label** PORT 1 COMMON  
**Modularity** 1-Single  
**Mounting** Pole | Wall  
**Mounting Pipe Hardware** Band clamps (2)  
**RF Connector Interface** 7-16 DIN Female  
**RF Connector Interface Body Style** Long neck

## Dimensions

**Height** 157 mm | 6.181 in  
**Width** 62.5 mm | 2.461 in  
**Depth** 161 mm | 6.339 in  
**Mounting Pipe Diameter Range** 40–140 mm

# E11F01P27

## Outline Drawing



## Electrical Specifications

<b>Impedance</b>	50 ohm
<b>License Band, Band Pass</b>	AWS 1700   CEL 850   CEL 900   DCS 1800   EDD 800   IMT 2100   IMT 2600   LMR 800   LMR 900   PCS 1900   WCS 2300

## Electrical Specifications, dc Power/Alarm

<b>dc/AISG Pass-through, combiner</b>	Branch 1   Branch 2   Branch 3
<b>dc/AISG Pass-through, demultiplexer</b>	Branch 1   Branch 2   Branch 3
<b>Lightning Surge Current</b>	3 kA
<b>Lightning Surge Current Waveform</b>	10/350 waveform

# E11F01P27

---

## Electrical Specifications

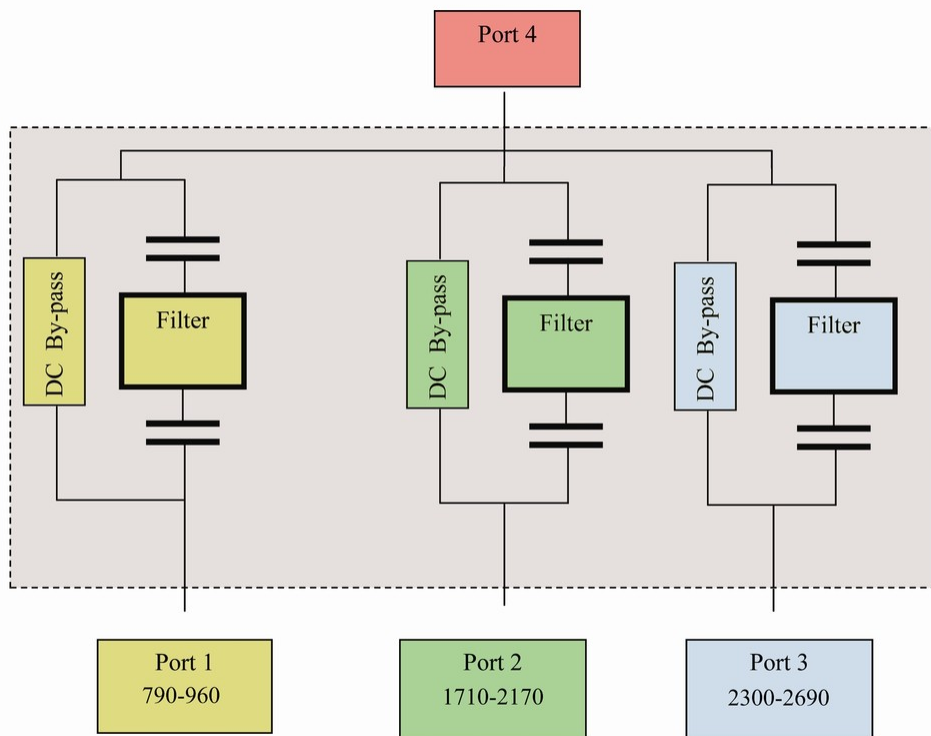
<b>Sub-module</b>	<b>1</b>	<b>1</b>	<b>1</b>
<b>Branch</b>	1	2	3
<b>Port Designation</b>	PORT 2 790-960	PORT 3 1710-2170	PORT 4 2300-2690
<b>License Band</b>	CEL 850, Band Pass CEL 900, Band Pass EDD 800, Band Pass LMR 800, Band Pass LMR 900, Band Pass	AWS 1700, Band Pass DCS 1800, Band Pass IMT 2100, Band Pass PCS 1900, Band Pass	IMT 2600, Band Pass WCS 2300, Band Pass

## Electrical Specifications, Band Pass

<b>Frequency Range, MHz</b>	<b>790–960</b>	<b>1710–2170</b>	<b>2300–2690</b>
<b>Insertion Loss, typical, dB</b>	0.15	0.3	0.3
<b>Return Loss, typical, dB</b>	20	20	20
<b>Isolation, minimum, dB</b>	65	65	65
<b>3rd Order PIM, maximum, dBc</b>	-153	-153	-153
<b>3rd Order PIM Test Method</b>	Two +43 dBm carriers	Two +43 dBm carriers	Two +43 dBm carriers

# E11F01P27

## Block Diagram



## Environmental Specifications

<b>Operating Temperature</b>	-40 °C to +60 °C (-40 °F to +140 °F)
<b>Relative Humidity</b>	Up to 100%
<b>Corrosion Test Method</b>	IEC 60068-2-11, 30 days
<b>Ingress Protection Test Method</b>	IEC 60529:2001, IP67

## Packaging and Weights

<b>Included</b>	Mounting hardware
<b>Volume</b>	1.5 L
<b>Weight, net</b>	2.7 kg   5.952 lb

## Regulatory Compliance/Certifications

<b>Agency</b>	<b>Classification</b>
ISO 9001:2015	Designed, manufactured and/or distributed under this quality management system

