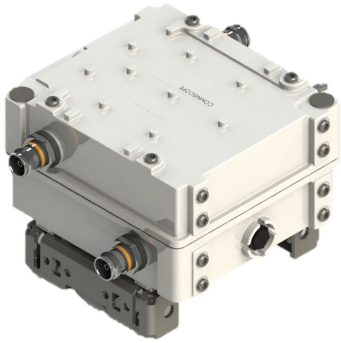


SIMFT-WCS-AMT-R40 | E14V00P18



Compact Twin WCS IMF for Aeronautical Mobile Telemetry Band Co-Location, 4.3-10

- New 4.3-10 connectors for improved PIM performance and size reduction
- DC/AISG passing capability from BTS port to ANT port
- Convertible mounting brackets

Product Classification

Product Type Interference mitigation filter

General Specifications

Color Gray

Modularity 2-Twin

Mounting Pipe Hardware Band clamps (2)

RF Connector Interface 4.3-10 Female

Dimensions

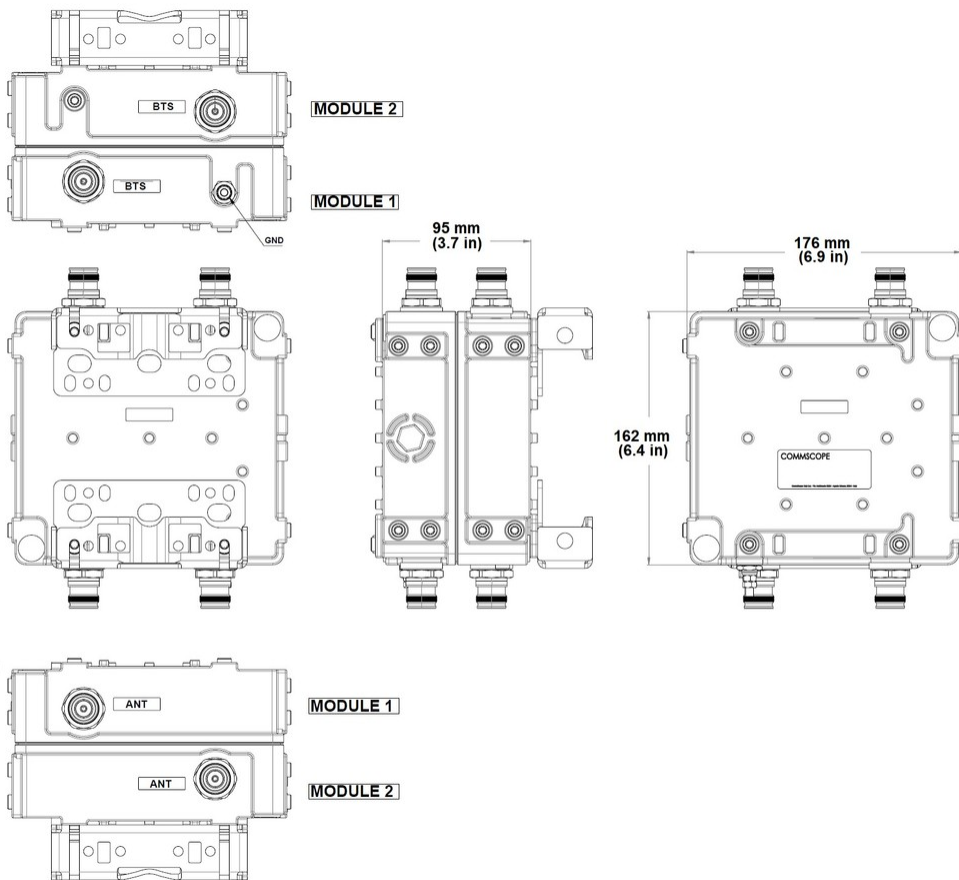
Height 162 mm | 6.378 in

Width 176 mm | 6.929 in

Depth 95 mm | 3.74 in

Outline Drawing

SIMFT-WCS-AMT-R40 | E14V00P18



Electrical Specifications, dc Power/Alarm

dc/AISG Pass-through Path	Branch 1
Lightning Surge Current	8 kA
Lightning Surge Current Waveform	8/20 waveform

Electrical Specifications

Sub-module	1 2	1 2	1 2	1 2
Branch	1	1	1	1
Port Designation	Uplink	Downlink	Downlink	Downlink
License Band	WCS 2300, Band Pass	WCS 2300, Band Pass	WCS 2300, Band Pass	WCS 2300, Band Pass

Electrical Specifications, Band Pass

Frequency Range, MHz	2305–2315	2350–2357	2357–2358.6	2358.6–2358.96
Insertion Loss, maximum, dB	0.7	0.6	1.2	1.8

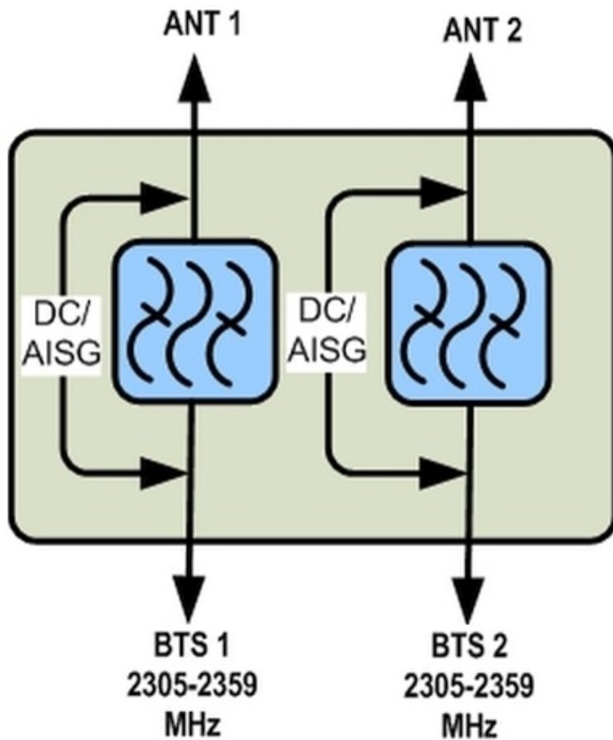
SIMFT-WCS-AMT-R40 | E14V00P18

Insertion Loss, typical, dB	0.5	0.5	0.8	1.3
Total Group Delay, maximum, ns	35	380	550	550
Return Loss, minimum, dB	18	18	18	18
Return Loss, typical, dB	20	20	20	20
Input Power, RMS, maximum, W		100	100	100
Input Power, PEP, maximum, W		1000	1000	1000
Higher Order PIM, minimum, dBc		-160	-160	-160
Higher Order PIM Test Method		2 x 20 W CW tones	2 x 20 W CW tones	2 x 20 W CW tones

Electrical Specifications, Band Reject

Frequency Range, MHz	2360–2395
Attenuation, minimum, dB	43

Block Diagram



Mechanical Specifications

Wind Loading @ Velocity, frontal	42.0 N @ 150 km/h (9.4 lbf @ 150 km/h)
Wind Loading @ Velocity, lateral	16.0 N @ 150 km/h (3.6 lbf @ 150 km/h)

Environmental Specifications

Operating Temperature	-40 °C to +65 °C (-40 °F to +149 °F)
Relative Humidity	Up to 100%
Ingress Protection Test Method	IEC 60529:2001, IP67

Packaging and Weights

Included	Mounting hardware
Weight, net	4.2 kg 9.259 lb

Regulatory Compliance/Certifications

Agency	Classification
CHINA-ROHS	Above maximum concentration value

SIMFT-WCS-AMT-R40 | E14V00P18

ROHS

Compliant/Exempted

