

SDX159T-DL-43 | E14F06P07



Ultra Compact Twin Diplexer 80-2690MHz/3300-5925MHz, 4.3-10

- New Combining Solution to introduce 5G, 3.5GHz band
- Industry leading PIM performance
- Suitable for space limited applications like Metro Cell, Lamp Pole, Concealment Solution and Macro Site
- Compact form factor with reduced size and weight
- Ideal for small cell applications
- New 4.3-10 connectors for improved PIM performance and size reduction
- dc/AISG pass-through on low frequency ports
- Twin configuration

Product Classification

Product Type Diplexer

General Specifications

Modularity 2-Twin

Mounting Pole | Wall

RF Connector Interface 4.3-10 Female

Dimensions

Height 71 mm | 2.795 in

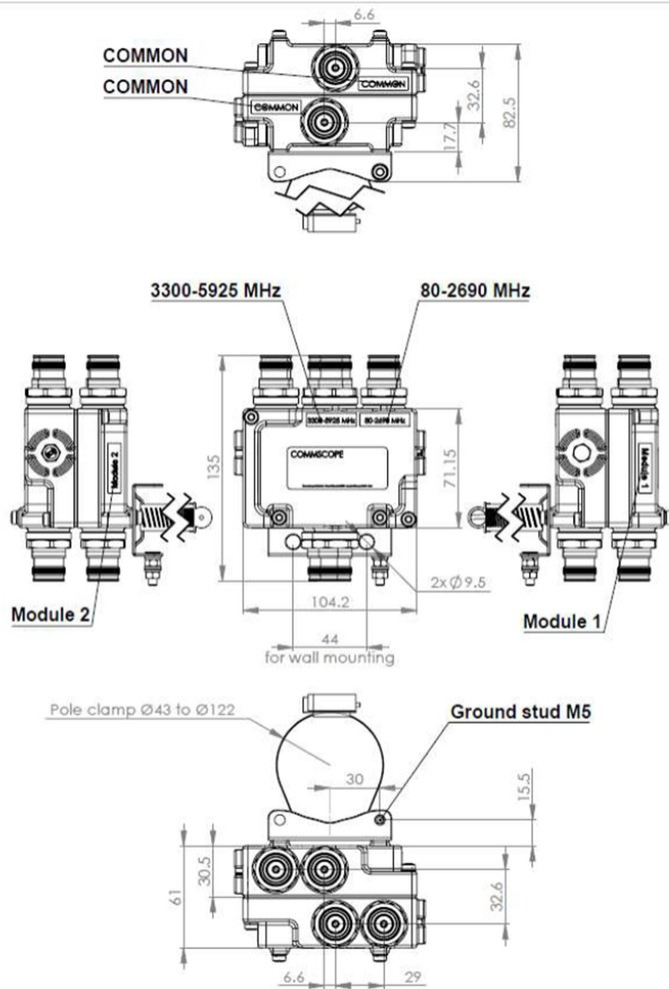
Width 104 mm | 4.094 in

Depth 61 mm | 2.402 in

Ground Screw Diameter 5 mm | 0.197 in

Outline Drawing

SDX159T-DL-43 | E14F06P07



Electrical Specifications

License Band, Band Pass

APT 700 | AWS 1700 | AWS 2000 | CEL 850 | CEL 900 | DCS 1800 | IMT 2100 | IMT 2600 | LAA 5000 | LMR 750 | LMR 800 | NMT 450 | PCS 1900 | SDL 1400 | TDD 2300 | TDD 2600 | TDD 3500 | TDD 5000 | USA 600 | USA 700 | USA 750 | WCS 2300

Electrical Specifications, dc Power/Alarm

dc/AISG Pass-through Method	Factory set
dc/AISG Pass-through Path	Branch 1
dc/AISG Pass-through, combiner	Branch 1
dc/AISG Pass-through, demultiplexer	Branch 1
Voltage	7–30 Vdc

SDX159T-DL-43 | E14F06P07

Electrical Specifications, AISG

AISG Carrier 2.176 MHz ± 100 ppm

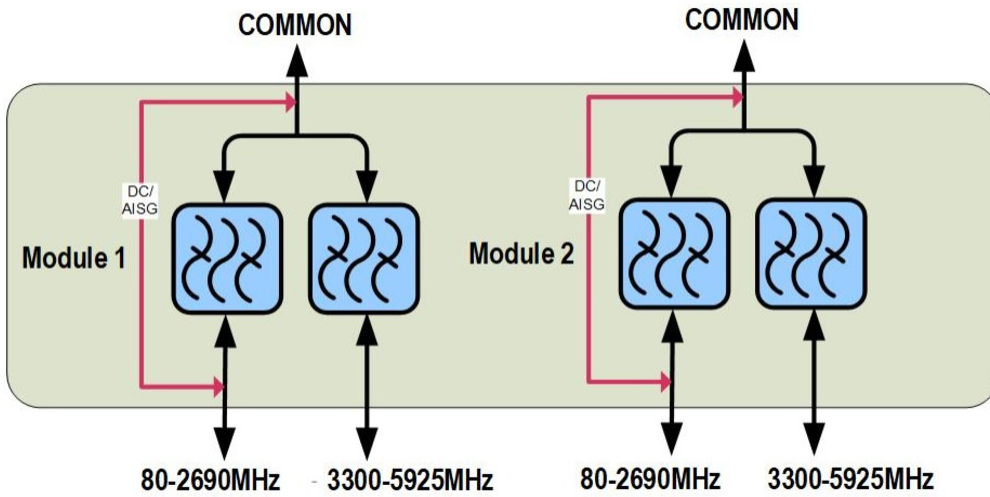
Electrical Specifications

Sub-module	1 2	1 2
Branch	1	2
Port Designation	80-2690	3300-5925
License Band	APT 700, Band Pass EDD 800, Band Pass CEL 850, Band Pass CEL 900, Band Pass DCS 1800, Band Pass IMT 2100, Band Pass TDD 2300, Band Pass TDD 2600, Band Pass IMT 2600, Band Pass	LAA 5000, Band Pass TDD 3500, Band Pass

Electrical Specifications, Band Pass

Frequency Range, MHz	80-2690	3300-5925
Insertion Loss, typical, dB	0.2	0.2
Return Loss, typical, dB	20	20
Isolation, minimum, dB	50	50
Input Power, RMS, maximum, W	100	100
Input Power, PEP, maximum, W	1000	1000
3rd Order PIM, typical, dBc	-161	-161
3rd Order PIM Test Method	2 x 20 W CW tones	2 x 20 W CW tones

Block Diagram



Mechanical Specifications

Wind Loading @ Velocity, frontal	10.0 N @ 150 km/h (2.2 lbf @ 150 km/h)
Wind Loading @ Velocity, lateral	4.0 N @ 150 km/h (0.9 lbf @ 150 km/h)

Environmental Specifications

Operating Temperature	-40 °C to +65 °C (-40 °F to +149 °F)
Corrosion Test Method	IEC 60068-2-11, 30 days
Ingress Protection Test Method	IEC 60529:2001, IP67

Packaging and Weights

Volume	0.45 L
Weight, with mounting hardware	1.35 kg 2.976 lb