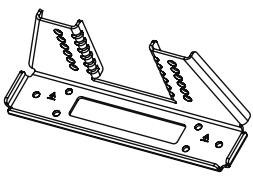
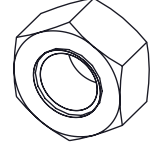
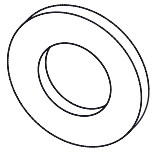
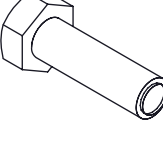
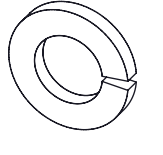
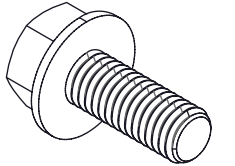


639857 Revision B, MAR 2020

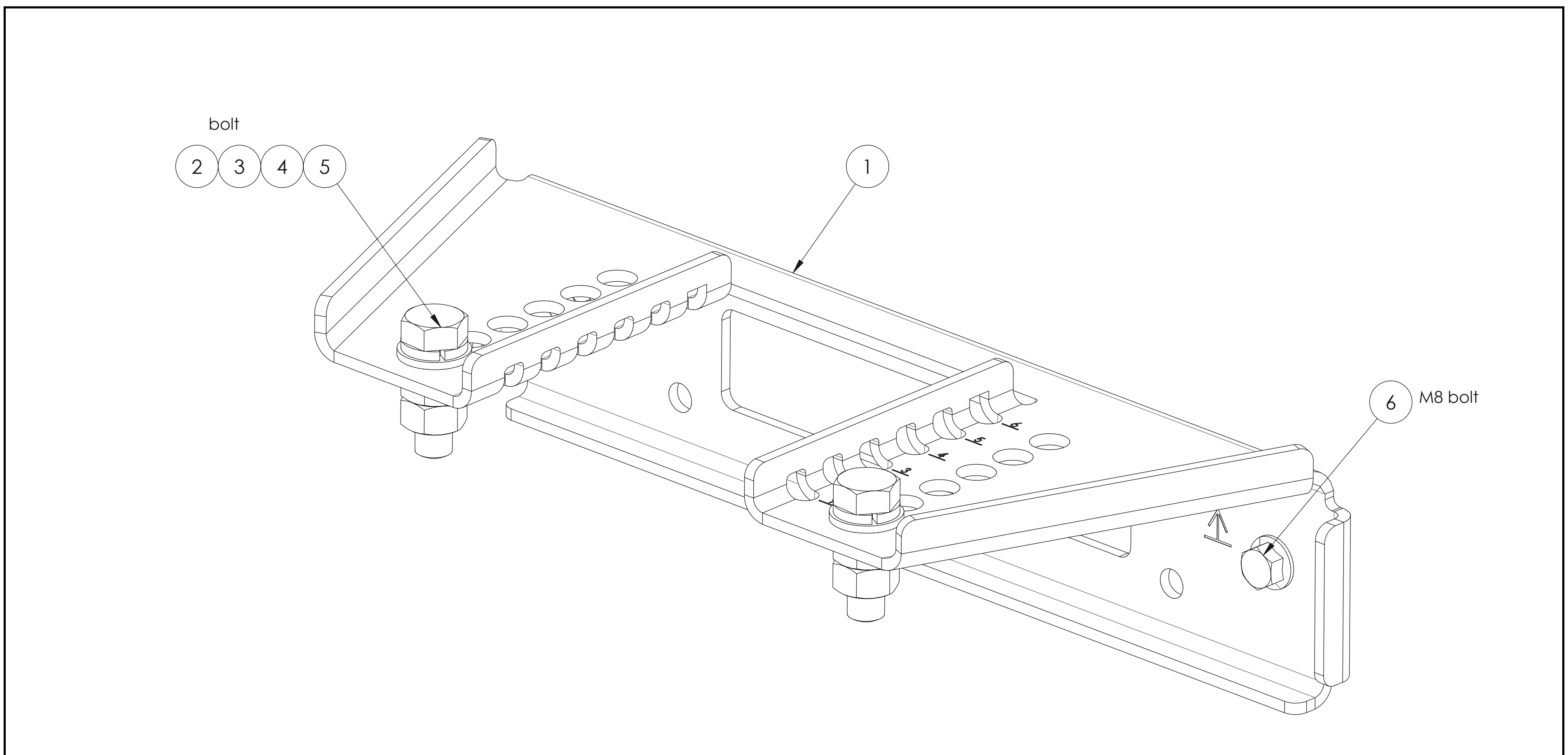
AEKTBKT-N1 For Nokia Massive Active Antennas

AEKTBKT-N1: Antenna Enclosure KiT Bracket KiT for Nokia.

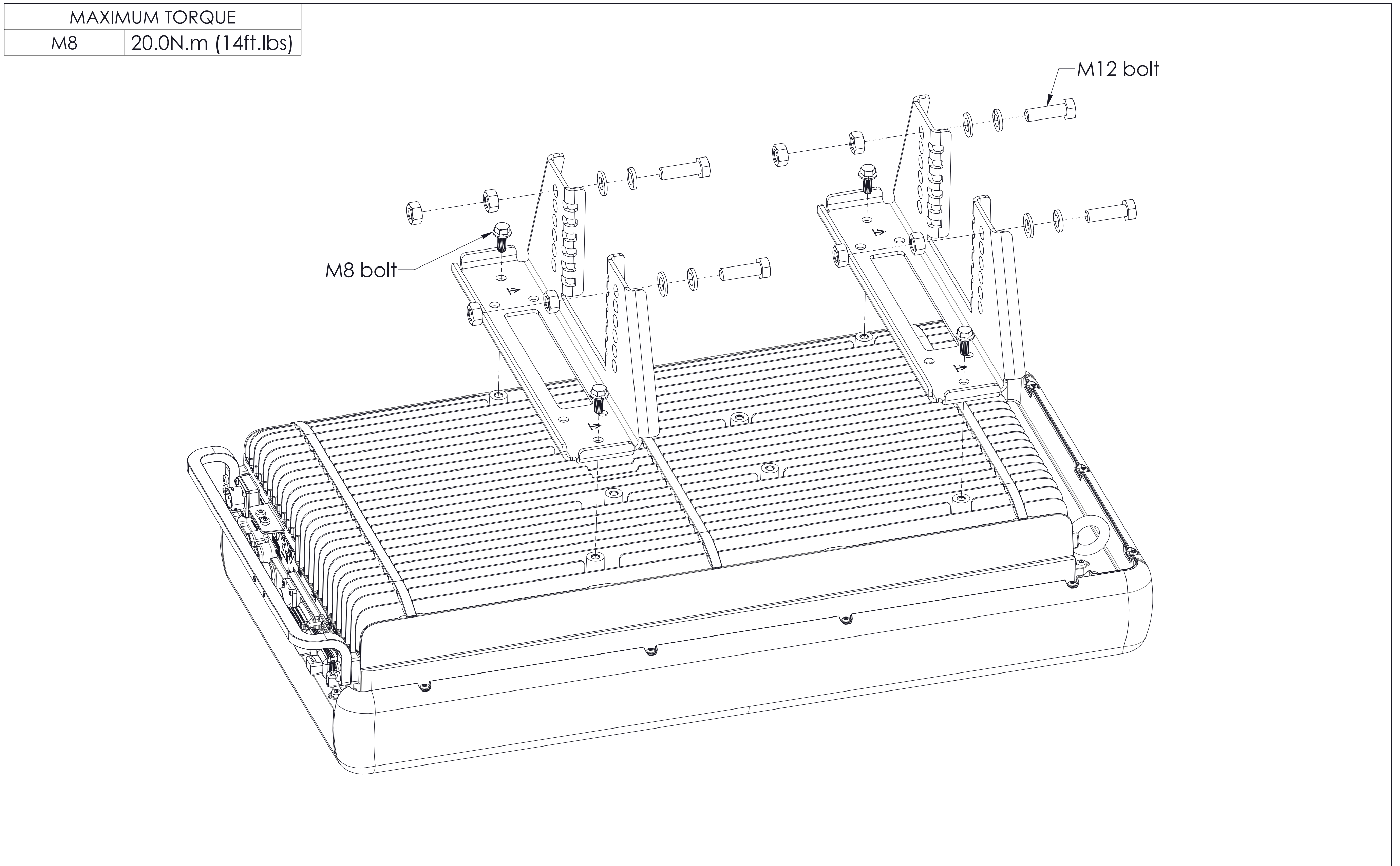
This document shows the part list of AEKTBKT-N1. To know how to install AEKT-N1 or replace the wind shield with Nokia Massive Active Antenna(MAA), please refer to the installation instruction in AKET-N1(document NO.639855).

ITEM NO.	DESCRIPTION	AEKTBKT-N1 QUANTITY	IMAGE
1	MOUNTING BRACKET	2	
2	NUT,HEX,M12,STL,GALV	8	
3	WSHR,FLT,M12,13X24X2.5,STL,GALV	8	
4	SCR,HCS,HEX,M12X40,STL,GALV	4	
5	WSHR,LK,SPLT,M12,STL,GALV	4	
6	SCR,HEX,FLANGE,M8-1.25,20,SST,PASS	8	

Part Lists



The appearance of AEKTBKT-N1



Assemble the antenna assembly by field installer

SAFETY NOTICE

The installation, maintenance, or removal of an antenna requires qualified, experienced personnel. CommScope installation instructions are written for such installation personnel. Antenna systems should be inspected once a year by qualified personnel to verify proper installation, maintenance, and condition of equipment.

CommScope disclaims any liability or responsibility for the results of improper or unsafe installation practices.

It is recommended that transmit power be turned off when the field installation is performed. Follow all applicable safety precautions as shown on this page.



Do not install near power lines. Power lines, telephone lines, and guy wires look the same. Assume any wire or line can electrocute you.



Do not install on a wet or windy day or when lightning or thunder is in the area. Do not use metal ladder.



Wear shoes with rubber soles and heels. Wear protective clothing including a long-sleeved shirt and rubber gloves.