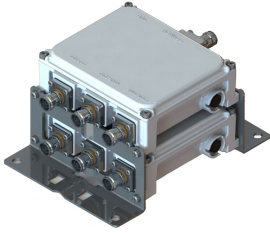


E12F01P78



Twin Triplexer 698-960//1710-2170//2300-2690 MHz, dc bypass on all port

- Industry leading PIM performance
- Designed for network Modernization, introduction of LTE1800 on existing site
- Designed for network Modernization, introduction of LTE2600 on existing site
- DC/AISG passing on all ports
- Twin configuration
- New 4.3-10 connectors for improved PIM performance and size reduction

Product Classification

Product Type Triplexer

General Specifications

Color Gray

Common Port Label COM

Modularity 2-Twin

Mounting Pole | Wall

Mounting Pipe Hardware Band clamps (2)

RF Connector Interface 4.3-10 Female

RF Connector Interface Body Style Long neck

Dimensions

Height 262 mm | 10.315 in

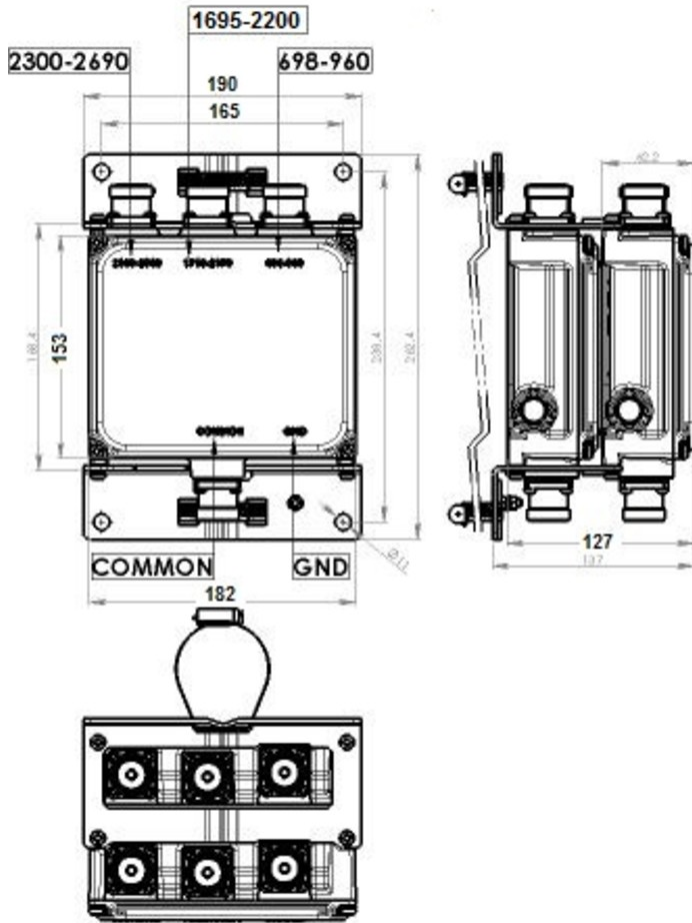
Width 190 mm | 7.48 in

Depth 137 mm | 5.394 in

Mounting Pipe Diameter Range 42.6–122 mm

E12F01P78

Outline Drawing



Electrical Specifications

Impedance 50 ohm

Electrical Specifications, dc Power/Alarm

dc/AISG Pass-through, combiner Branch 1 | Branch 2 | Branch 3

Lightning Surge Current 5 kA

Lightning Surge Current Waveform 8/20 waveform

Electrical Specifications

Sub-module	1 2	1 2	1 2
Branch	1	2	3

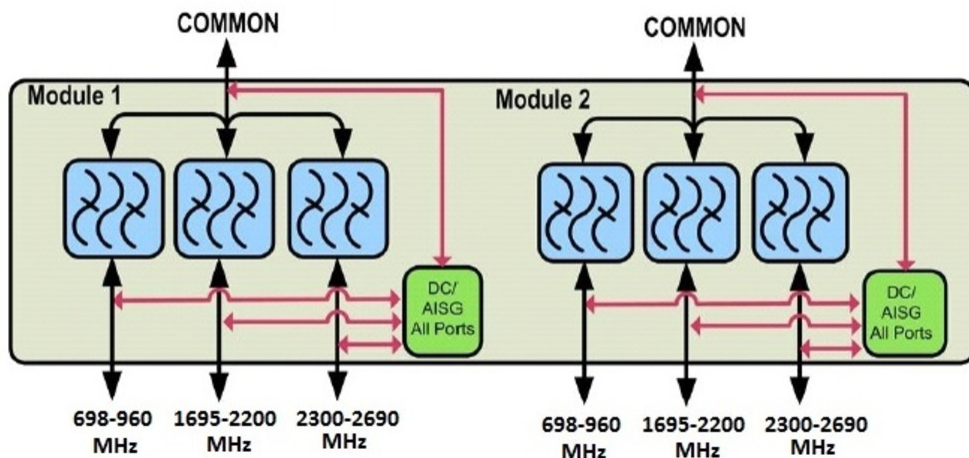
E12F01P78

Port Designation	698-960	1710-2170	2300-2690
License Band	CEL 900, Band Pass	AWS 2000, Band Pass IMT 2100, Band Pass	TDD 2600, Band Pass TDD 2300, Band Pass WCS 2300, Band Pass

Electrical Specifications, Band Pass

Frequency Range, MHz	698–960	1710–2170	2300–2690
Insertion Loss, maximum, dB	0.4	0.4	0.4
Insertion Loss, typical, dB	0.15	0.3	0.35
Return Loss, minimum, dB	18	18	18
Return Loss, typical, dB	20	20	20
Isolation, minimum, dB	50	50	50
Input Power, RMS, maximum, W	300	300	300
Input Power, PEP, maximum, W	3500	3500	3500
3rd Order PIM, typical, dBc	-155	-155	-155
3rd Order PIM Test Method	Two +43 dBm carriers	Two +43 dBm carriers	Two +43 dBm carriers

Block Diagram



Environmental Specifications

Operating Temperature	-40 °C to +65 °C (-40 °F to +149 °F)
Relative Humidity	Up to 100%
Corrosion Test Method	IEC 60068-2-11, 30 days
Ingress Protection Test Method	IEC 60529:2001, IP68

E12F01P78

Packaging and Weights

Included	Mounting hardware
Volume	3.9 L
Weight, net	6.3 kg 13.889 lb