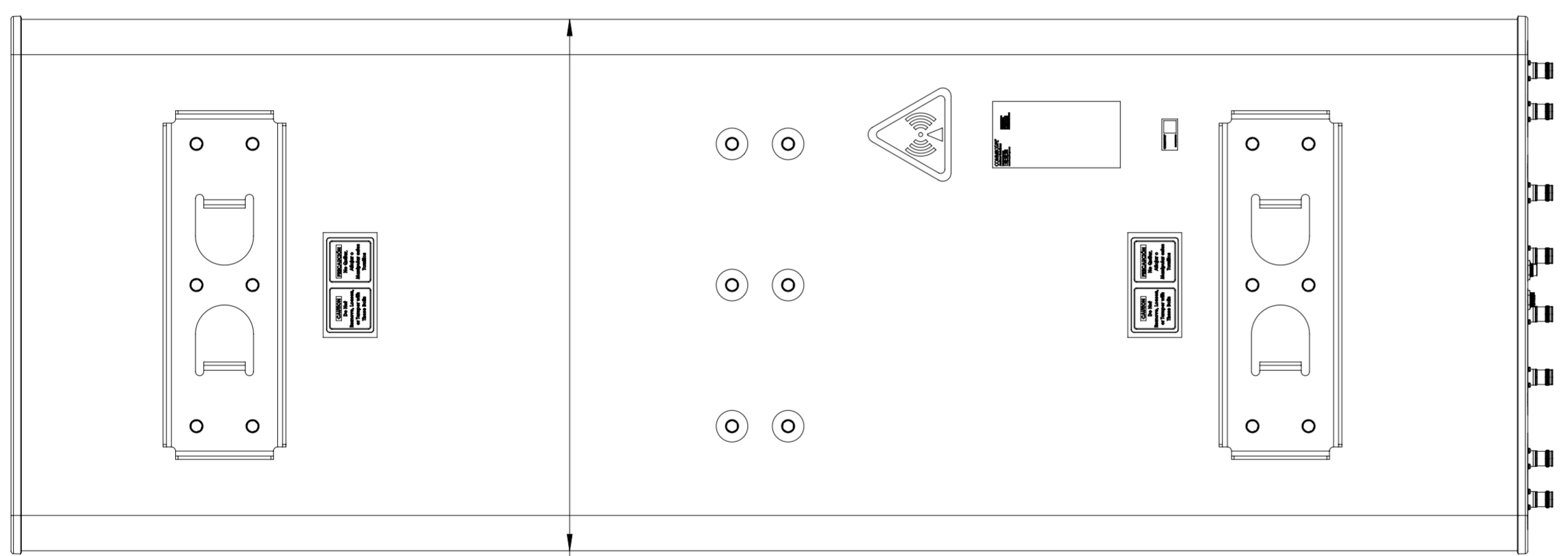
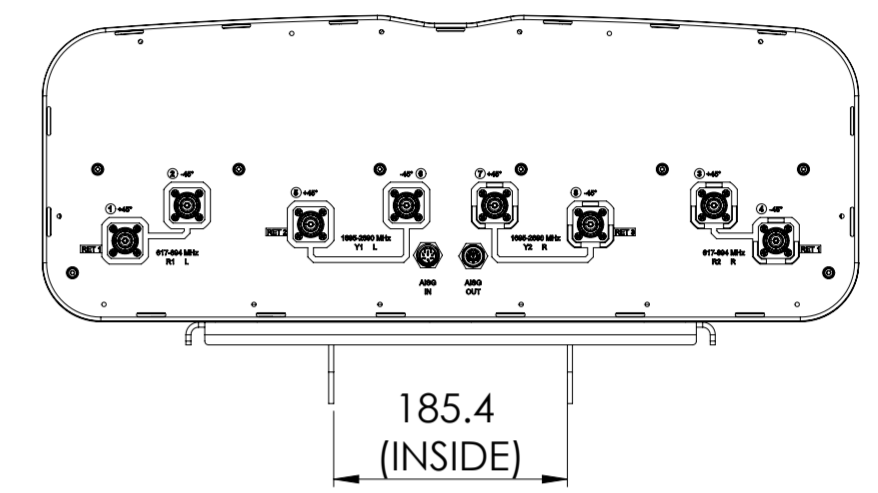
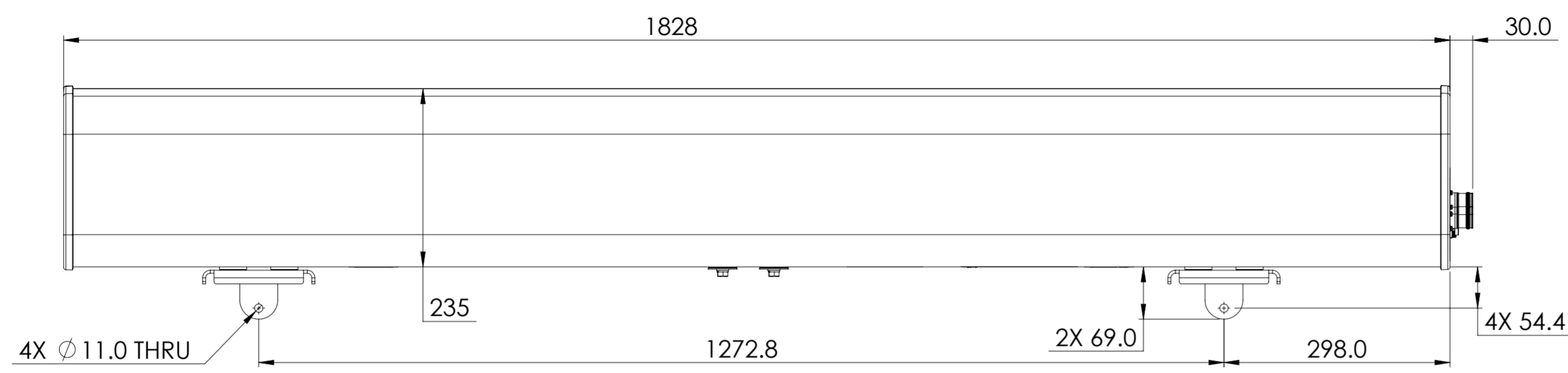


REVISIONS			
REV.	DESCRIPTION	DATE	APPROVED
A	ECR 8000038718: RELEASE TO PRODUCTION PER EAO 607144.	27FEB20 SP	KJ/SD
B	ECR 8000038718: DRAWING UPDATED .	04MAR20 SP	KJ/SD



640

**B** FFVV-65B-R3-V1

**COMMSCOPE, INC. OF NORTH CAROLINA**

TOLERANCES		SAP MATERIAL MASTER																																																																				
0 PLACE X ±	2 PLACE .XX ±																																																																					
1 PLACE .X ±	ANGLES ±																																																																					
FINISH		MATERIAL																																																																				
<small>UNLESS OTHERWISE SPECIFIED DIMENSIONS ARE IN MILLIMETERS INTERPRET PER ISO STANDARDS HANDBOOK 1 TECHNICAL DRAWINGS VOLUMES 1 &amp; 2, THIRD EDITION (2002)</small>		NAME	DATE																																																																			
		CE PS1111	02/27/2020																																																																			
		RW PS1111	03/05/2020																																																																			
		RV KJ1016	03/06/2020																																																																			
		AD SD1107	03/06/2020																																																																			
RE AK1095	03/06/2020	<b>PRODUCT DRAWING</b> SCALE 1:6 DOCUMENT NO. <b>FFVV-65B-R3-V1-L</b>																																																																				
ECN 8000038718-O																																																																						
DENSITY	g/mm <sup>3</sup>	<table border="1" style="width: 100%;"> <tr> <td>SIZE</td> <td>WORK AREA</td> <td>23</td> <td colspan="3">MODEL</td> <td colspan="3">DRAWING</td> <td rowspan="3">SHEET 1 OF 1</td> </tr> <tr> <td>MASS</td> <td>grams</td> <td colspan="3">VERSION</td> <td colspan="3">REVISION</td> </tr> <tr> <td>VOLUME</td> <td>mm<sup>3</sup></td> <td>A2</td> <td>01</td> <td>RE</td> <td>B</td> <td>01</td> <td>RE</td> <td>B</td> </tr> <tr> <td>SURFACE AREA</td> <td>mm<sup>2</sup></td> <td colspan="2"></td> <td colspan="3"></td> <td colspan="3"></td> </tr> <tr> <td>HEIGHT</td> <td></td> <td colspan="2"></td> <td colspan="3"></td> <td colspan="3"></td> </tr> <tr> <td>LENGTH</td> <td></td> <td colspan="2"></td> <td colspan="3"></td> <td colspan="3"></td> </tr> <tr> <td>WIDTH</td> <td></td> <td colspan="2"></td> <td colspan="3"></td> <td colspan="3"></td> </tr> </table>		SIZE	WORK AREA	23	MODEL			DRAWING			SHEET 1 OF 1	MASS	grams	VERSION			REVISION			VOLUME	mm <sup>3</sup>	A2	01	RE	B	01	RE	B	SURFACE AREA	mm <sup>2</sup>									HEIGHT										LENGTH										WIDTH									
SIZE	WORK AREA			23	MODEL			DRAWING			SHEET 1 OF 1																																																											
MASS	grams			VERSION			REVISION																																																															
VOLUME	mm <sup>3</sup>	A2	01	RE	B	01	RE	B																																																														
SURFACE AREA	mm <sup>2</sup>																																																																					
HEIGHT																																																																						
LENGTH																																																																						
WIDTH																																																																						