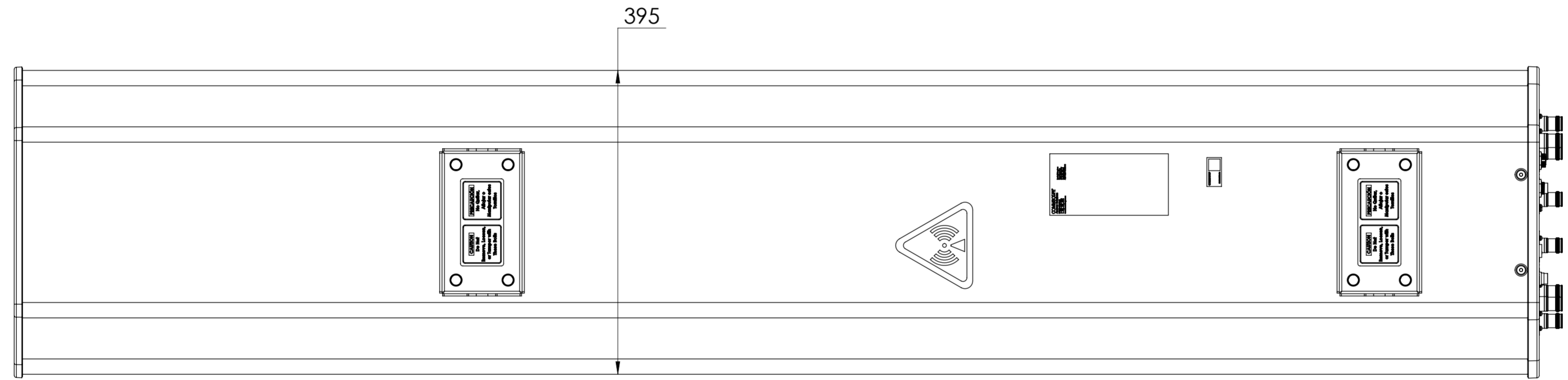
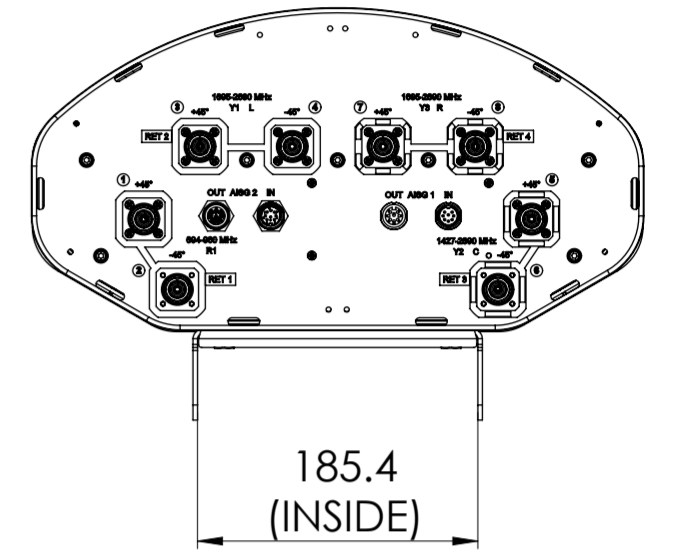
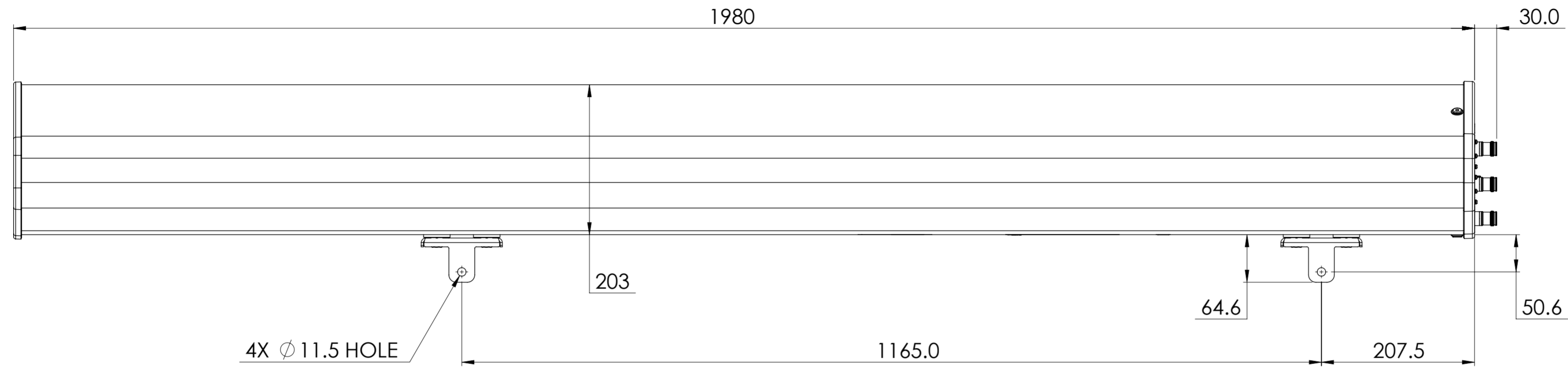


REVISIONS			
REV.	DESCRIPTION	DATE	APPROVED
A	ECR 8000038612: REL TO PRODUCTION PER EAO 607575.	13DEC19 HWW	GZB/XL



RZVV-65B-R4-V4

COMMSCOPE, INC. OF NORTH CAROLINA

TOLERANCES		SAP MATERIAL MASTER	
0 PLACE X ±	2 PLACE .XX ±		
1 PLACE .X ±	ANGLES ±		
FINISH		MATERIAL	
<small>UNLESS OTHERWISE SPECIFIED DIMENSIONS ARE IN MILLIMETERS INTERPRET PER ISO STANDARDS HANDBOOK TECHNICAL DRAWINGS VOLUMES 1 & 2, THIRD EDITION (2002)</small>		NAME	DATE
		CE WH1029	12/13/2019
		RW WH1029	12/16/2019
		RV ZG1008	12/17/2019
		AD LX1011	12/17/2019
RE ZHHCHEN	12/17/2019	PRODUCT DRAWING SCALE: 1:5 DOCUMENT NO. RZVV-65B-R4-V4-L	
ECN 8000038612-O			
SIZE	WORK AREA	23	MODEL
A2		VERSION	STATUS
		00	RE
DRAWING		VERSION	STATUS
REVISION		A	00
DRAWING		VERSION	STATUS
REVISION		A	RE
SHEET		1 OF 1	