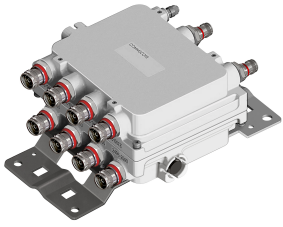


E12F03P47



Quad Diplexer 2300-2400/2496-2690 MHz, 4.3-10 connectors

- Industry leading PIM performance
- New 4.3-10 connectors for improved PIM performance and size reduction
- Ideal for small cell applications
- Compact form factor with reduced size and weight
- Suitable for space limited applications like Metro Cell, Lamp Pole and Concealment Solution
- Designed for network modernization application, introduction of LTE 4x4 MIMO
- Quad configuration, 4x4 MIMO ready
- Clam shell configuration

Product Classification

Product Type Diplexer

General Specifications

Color Gray

Common Port Label Common

Modularity 4-Quad

RF Connector Interface 4.3-10 Female

Dimensions

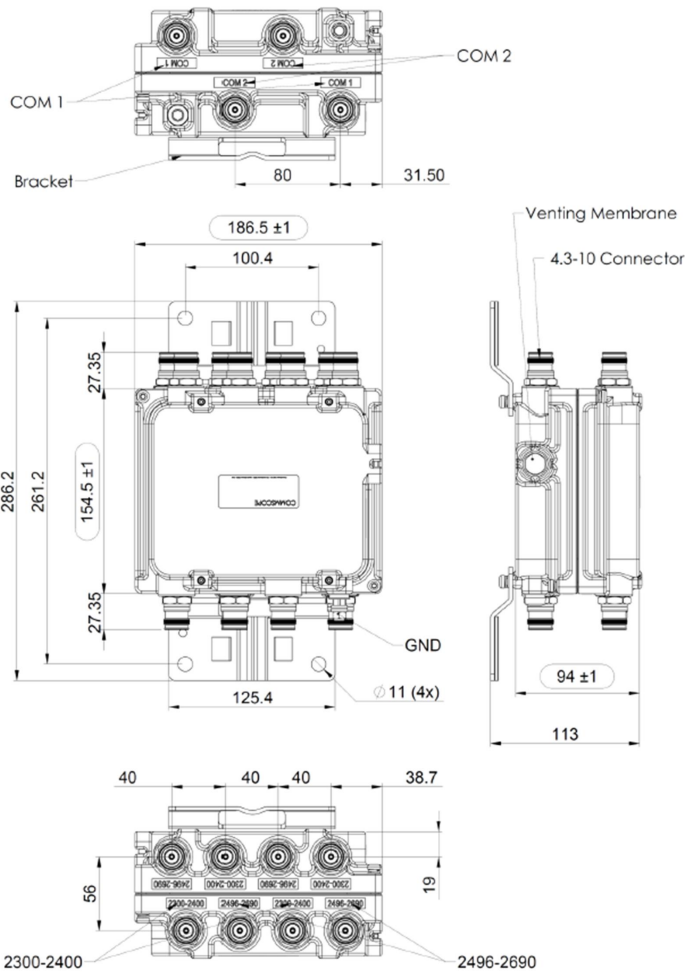
Height 94 mm | 3.701 in

Width 154.5 mm | 6.083 in

Depth 186.5 mm | 7.343 in

Outline Drawing

E12F03P47



Electrical Specifications

Impedance	50 ohm
License Band, Band Pass	AWS 1700 DCS 1800 IMT 2100 IMT 2600 TDD 2300 TDD 2600 WCS 2300

Electrical Specifications, dc Power/Alarm

dc/AISG Pass-through Method	No dc/AISG pass-through
dc/AISG Pass-through, combiner	dc/AISG blocking on all ports
dc/AISG Pass-through, demultiplexer	dc/AISG blocking on all ports
Lightning Surge Current	5 kA
Lightning Surge Current Waveform	8/20 waveform

E12F03P47

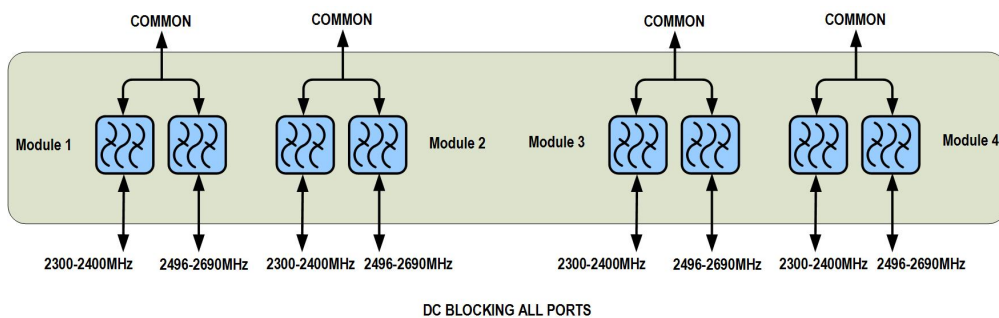
Electrical Specifications

Sub-module	1 2	1 2
Branch	1	2
Port Designation	Port 2300-2400	Port 2500-2690
License Band	WCS 2300, Band Pass TDD 2300, Band Pass	TDD 2600, Band Pass IMT 2600, Band Pass

Electrical Specifications, Band Pass

Frequency Range, MHz	2300–2400	2500–2690
Insertion Loss, typical, dB	0.3	0.35
Return Loss, typical, dB	20	20
Isolation, minimum, dB	50	50
Input Power, RMS, maximum, W	300	300
Input Power, PEP, maximum, W	2000	2000
3rd Order PIM, typical, dBc	-161	-161
3rd Order PIM Test Method	2 x 20 W CW tones	2 x 20 W CW tones

Block Diagram



Material Specifications

Finish Painted

Environmental Specifications

Operating Temperature -40 °C to +65 °C (-40 °F to +149 °F)

Relative Humidity Up to 100%

Corrosion Test Method IEC 60068-2-11, 30 days

Ingress Protection Test Method IEC 60529:2001, IP67

E12F03P47

Packaging and Weights

Volume	2.7 L
Weight, net	4.5 kg 9.921 lb
Weight, without mounting hardware	4 kg 8.818 lb