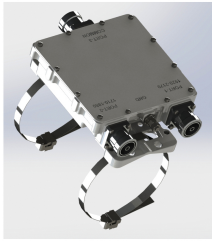


E11F05P97



Diplexer, DCS 1800/UMTS 2100, AISG compatible, dc pass on DCS port

- Industry leading PIM performance
- Designed for network Modernization, introduction of LTE1800 on existing site
- Designed for network Modernization, introduction of UMTS2100 on existing site
- dc/AISG pass-through on low frequency ports

OBSOLETE

This product was discontinued on: July 1, 2022

Replaced By:

E14F06P32

Ultra Compact Single Diplexer 1350-1880/1920-2690, 4.3-10 connectors

Product Classification

Product Type Diplexer

General Specifications

Product Family CBC1821
Color Gray
Common Port Label PORT 3 COMMON
Modularity 1-Single
Mounting Pole | Wall
Mounting Pipe Hardware Band clamps (2)
RF Connector Interface 7-16 DIN Female
RF Connector Interface Body Style Long neck

Dimensions

Height 149 mm | 5.866 in
Width 145 mm | 5.709 in
Depth 42 mm | 1.654 in
Mounting Pipe Diameter Range 40–160 mm

Electrical Specifications

Impedance 50 ohm

E11F05P97

License Band, Band Pass DCS 1800 | IMT 2100

Electrical Specifications, dc Power/Alarm

dc/AISG Pass-through, combiner	Branch 1
dc/AISG Pass-through, demultiplexer	Branch 1
Lightning Surge Current	3 kA
Lightning Surge Current Waveform	10/350 waveform

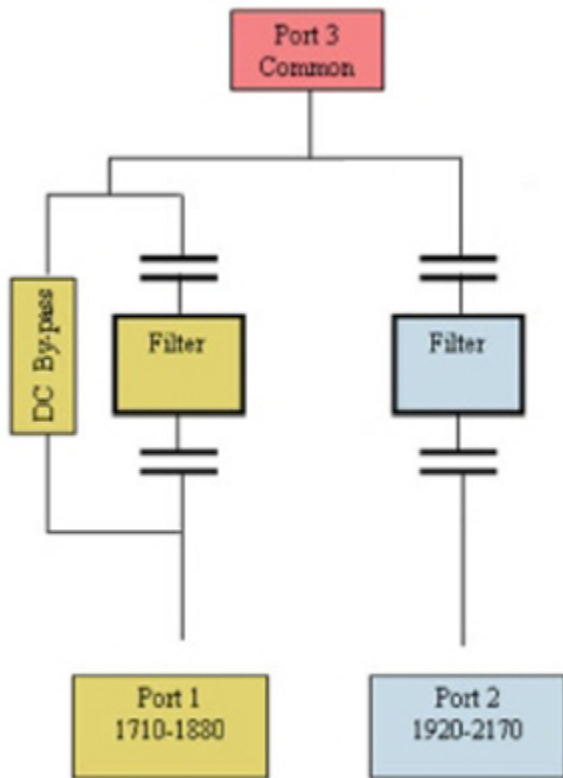
Electrical Specifications

Sub-module	1	1
Branch	1	2
Port Designation	PORT 2 1710-1880	Port 1 1920-2170
License Band	DCS 1800, Band Pass IMT 2100, Band Pass	

Electrical Specifications, Band Pass

Frequency Range, MHz	1710–1880	1920–2170
Insertion Loss, typical, dB	0.15	0.25
Return Loss, minimum, dB	18	18
Return Loss, typical, dB		20
Isolation, minimum, dB	50	50
Input Power, RMS, maximum, W	250	250
3rd Order PIM, typical, dBc	-161	
3rd Order PIM Test Method	Two +43 dBm carriers	
7th Order PIM, typical, dBc		-168
7th Order PIM Test Method		Two +43 dBm carriers

Block Diagram



Environmental Specifications

Operating Temperature	-40 °C to +60 °C (-40 °F to +140 °F)
Corrosion Test Method	IEC 60068-2-11, 30 days
Ingress Protection Test Method	IEC 60529:2001, IP67

Packaging and Weights

Included	Mounting hardware
Volume	0.9 L
Weight, net	2 kg 4.409 lb

Regulatory Compliance/Certifications

Agency	Classification
ISO 9001:2015	Designed, manufactured and/or distributed under this quality management system



