

E11F05P85



Twin Triplexer 900/1800/2100, dc bypass on 2100 MHz port

- Industry leading PIM performance
- Suitable for feeders cables reduction
- dc/AISG pass-through on all frequency ports
- Twin configuration

OBSOLETE

This product was discontinued on: December 31, 2023

Replaced By:

E14F10P11

Twin Triplexer 800-900/1800/2100, dc bypass on all ports, 4.3-10 connectors

Product Classification

Product Type Triplexer

General Specifications

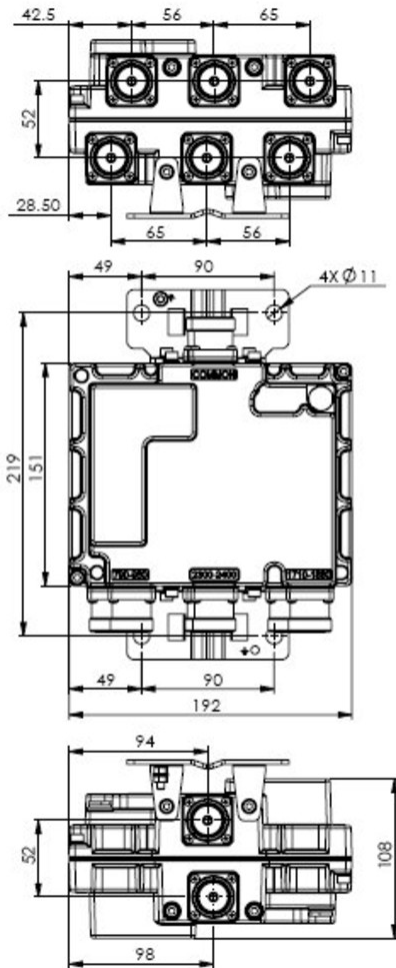
Product Family	CBC81821
Color	Gray
Common Port Label	Common
Modularity	2-Twin
Mounting	Pole Wall
Mounting Pipe Hardware	Band clamps (2)
RF Connector Interface	7-16 DIN Female
RF Connector Interface Body Style	Medium neck

Dimensions

Height	151 mm 5.945 in
Width	108 mm 4.252 in
Depth	192 mm 7.559 in
Mounting Pipe Diameter Range	40–160 mm

Outline Drawing

E11F05P85



Electrical Specifications

Impedance	50 ohm
License Band, Band Pass	CEL 850 CEL 900 DCS 1800 EDD 800 IMT 2100 LMR 800 LMR 900

Electrical Specifications, dc Power/Alarm

dc/AISG Pass-through, combiner	Branch 3
dc/AISG Pass-through, demultiplexer	Branch 3
Lightning Surge Current	10 kA
Lightning Surge Current Waveform	8/20 waveform

Electrical Specifications

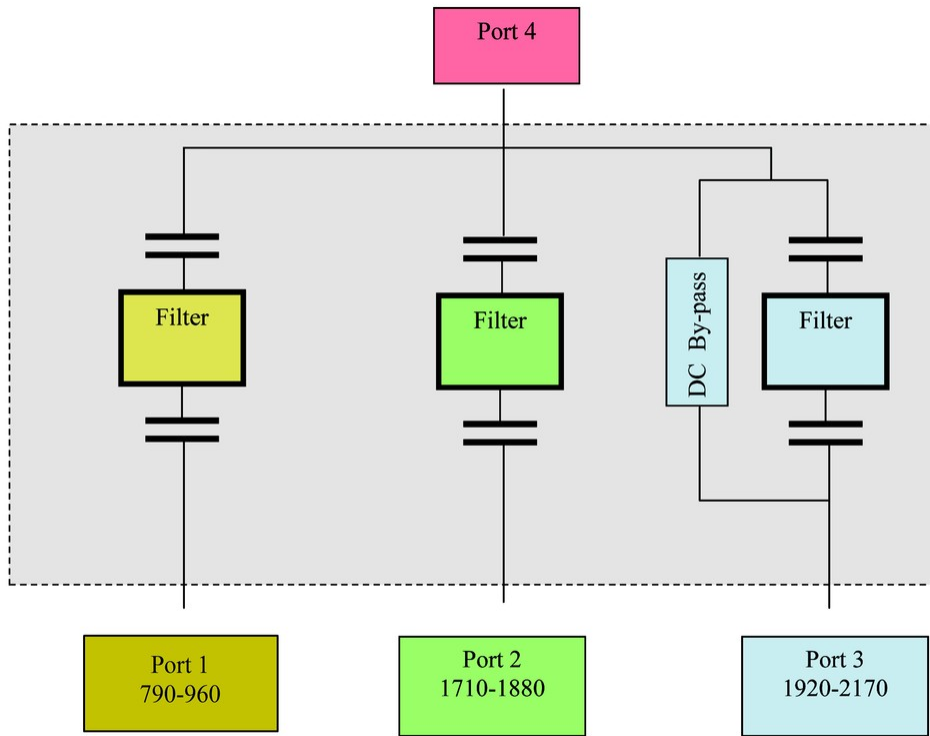
E11F05P85

Sub-module	1 2	1 2	1 2
Branch	1	2	3
Port Designation	790-960	1710-1880	1920-2170
License Band	CEL 850, Band Pass CEL 900, Band Pass EDD 800, Band Pass LMR 800, Band Pass LMR 900, Band Pass	DCS 1800, Band Pass	IMT 2100, Band Pass

Electrical Specifications, Band Pass

Frequency Range, MHz	790–960	1710–1880	1920–2170
Insertion Loss, typical, dB	0.15	0.2	0.2
Return Loss, typical, dB	24	24	24
Isolation, minimum, dB	50	50	50
Input Power, RMS, maximum, W	350	250	250
Input Power, PEP, maximum, W	3000	2500	2500
3rd Order PIM, typical, dBc	-160	-160	-160
3rd Order PIM Test Method	Two +43 dBm carriers	Two +43 dBm carriers	Two +43 dBm carriers

Block Diagram



Environmental Specifications

Operating Temperature	-40 °C to +60 °C (-40 °F to +140 °F)
Relative Humidity	Up to 100%
Corrosion Test Method	IEC 60068-2-11, 30 days
Ingress Protection Test Method	IEC 60529:2001, IP67

Packaging and Weights

Included	Mounting hardware
Volume	3.1 L
Weight, net	4.7 kg 10.362 lb

Regulatory Compliance/Certifications

Agency	Classification
ISO 9001:2015	Designed, manufactured and/or distributed under this quality management system

