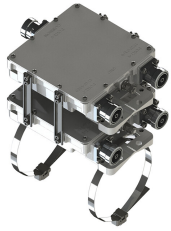


E11F05P83



Twin Diplexer, DCS 1800/UMTS 2100, AISG compatible, dc pass on DCS port

- Industry leading PIM performance
- Designed for network Modernization, introduction of LTE1800 on existing site
- Designed for network Modernization, introduction of UMTS2100 on existing site
- Twin configuration

OBSOLETE

This product was discontinued on: December 31, 2023

Replaced By:

E14F05P17

Twin Diplexer, DCS 1800/UMTS 2100, AISG compatible, dc pass all ports, with 4.3-10 connectors

Product Classification

Product Type Diplexer

General Specifications

Product Family CBC1821

Color Gray

Common Port Label PORT 3 COMMON

Modularity 2-Twin

Mounting Pole | Wall

Mounting Pipe Hardware Band clamps (2)

RF Connector Interface 7-16 DIN Female

RF Connector Interface Body Style Long neck

Dimensions

Height 149 mm | 5.866 in

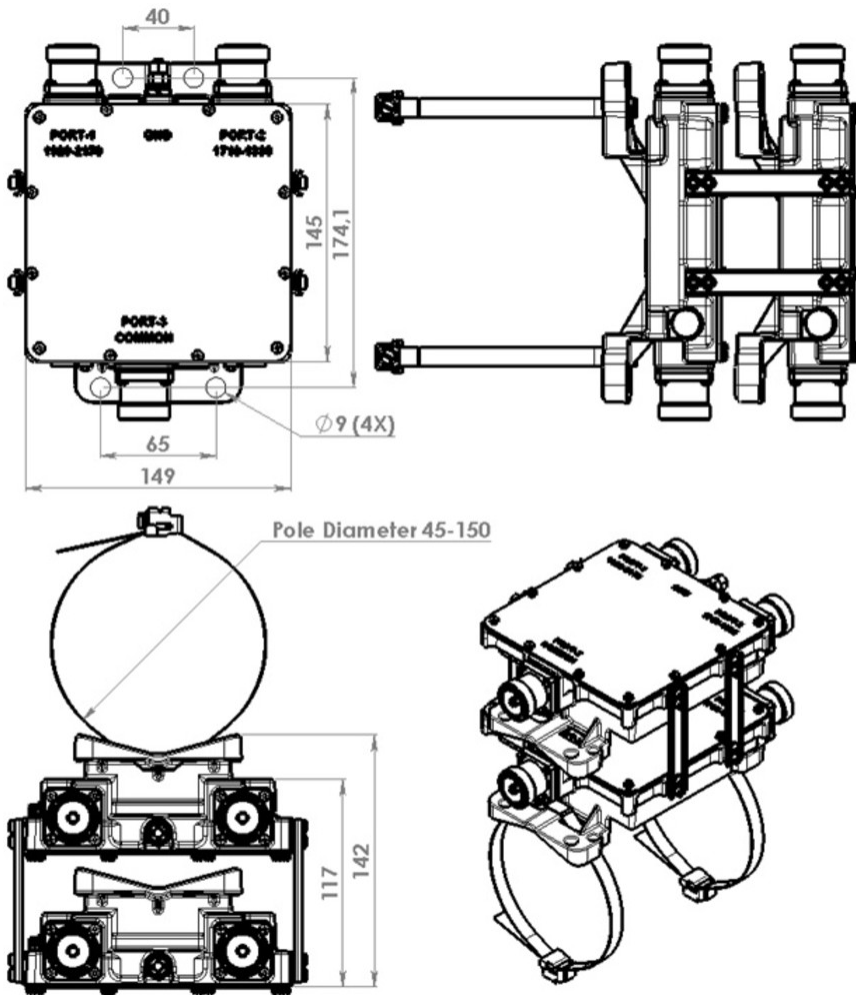
Width 145 mm | 5.709 in

Depth 117 mm | 4.606 in

Mounting Pipe Diameter Range 40–160 mm

Outline Drawing

E11F05P83



Electrical Specifications

Impedance	50 ohm
License Band, Band Pass	DCS 1800 IMT 2100

Electrical Specifications, dc Power/Alarm

dc/AISG Pass-through, combiner	Branch 1
dc/AISG Pass-through, demultiplexer	Branch 1
Lightning Surge Current	3 kA
Lightning Surge Current Waveform	10/350 waveform

Electrical Specifications

Sub-module	1 2	1 2
-------------------	-------	-------

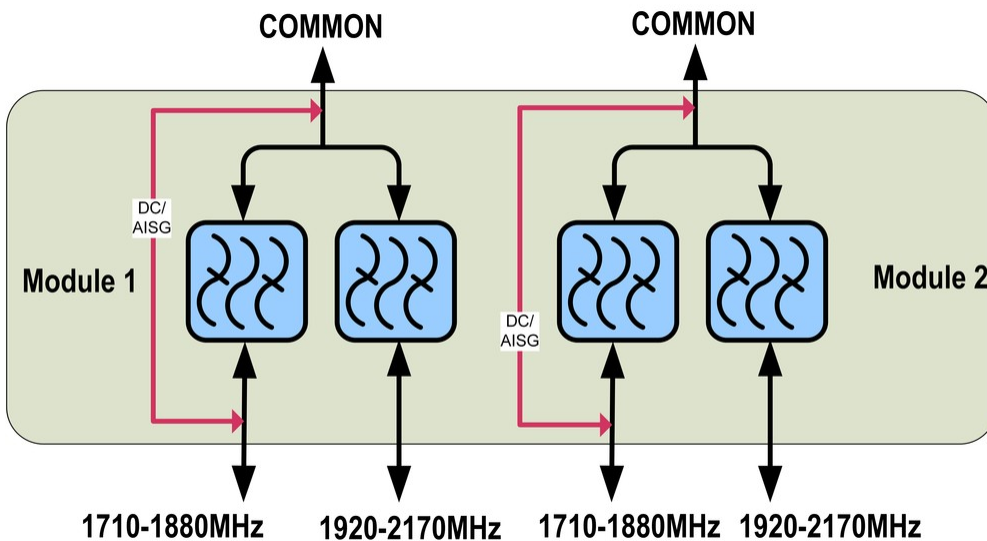
E11F05P83

Branch	1	2
Port Designation	PORT 2 1710-1880	PORT 1 1920-2170
License Band	DCS 1800, Band Pass	IMT 2100, Band Pass

Electrical Specifications, Band Pass

Frequency Range, MHz	1710–1880	1920–2170
Insertion Loss, typical, dB	0.15	0.25
Return Loss, minimum, dB	18	18
Return Loss, typical, dB	20	20
Isolation, minimum, dB	50	50
Input Power, RMS, maximum, W	250	250
Input Power, PEP, maximum, W	2500	2500
3rd Order PIM, typical, dBc	-161	
3rd Order PIM Test Method	Two +43 dBm carriers	Two +43 dBm carriers
7th Order PIM, typical, dBc		-168

Block Diagram



Environmental Specifications

Operating Temperature	-40 °C to +60 °C (-40 °F to +140 °F)
Corrosion Test Method	IEC 60068-2-11, 30 days
Ingress Protection Test Method	IEC 60529:2001, IP67

E11F05P83

Packaging and Weights

Included	Mounting hardware
Volume	2.5 L
Weight, net	3.5 kg 7.716 lb

Regulatory Compliance/Certifications

Agency	Classification
ISO 9001:2015	Designed, manufactured and/or distributed under this quality management system

