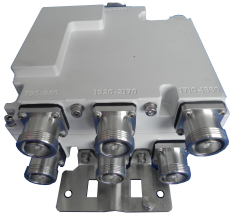


# E11F05P49



Twin Triplexer 900/1800/UMTS, Unit 1 dc bypass on 900 and 1800 MHz ports; Unit 2 dc bypass on 2100 MHz port

## OBSOLETE

This product was discontinued on: June 30, 2022

### Replaced By:

E14F10P11

Twin Triplexer 800-900/1800/2100, dc bypass on all ports, 4.3-10 connectors

## Product Classification

**Product Type** Triplexer

## General Specifications

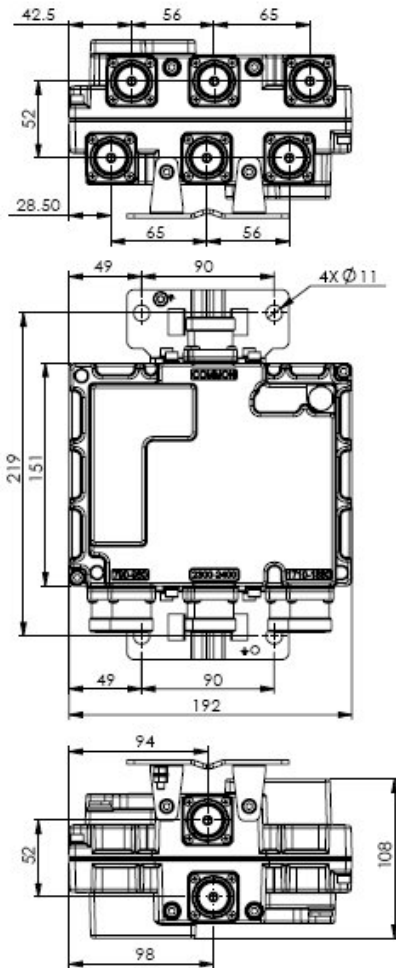
**Product Family** CBC81821  
**Color** Gray  
**Common Port Label** Common  
**Modularity** 2-Twin  
**Mounting** Pole | Wall  
**Mounting Pipe Hardware** Band clamps (2)  
**RF Connector Interface** 7-16 DIN Female  
**RF Connector Interface Body Style** Medium neck

## Dimensions

**Height** 151 mm | 5.945 in  
**Width** 108 mm | 4.252 in  
**Depth** 192 mm | 7.559 in  
**Mounting Pipe Diameter Range** 40–160 mm

## Outline Drawing

# E11F05P49



## Electrical Specifications

<b>Impedance</b>	50 ohm
<b>License Band, Band Pass</b>	CEL 850   CEL 900   DCS 1800   EDD 800   IMT 2100   LMR 800   LMR 900

## Electrical Specifications, dc Power/Alarm

<b>dc/AISG Pass-through, combiner</b>	Branch 1   Branch 2   Branch 3
<b>dc/AISG Pass-through, demultiplexer</b>	Branch 1   Branch 2   Branch 3
<b>Lightning Surge Current</b>	10 kA
<b>Lightning Surge Current Waveform</b>	8/20 waveform

## Electrical Specifications

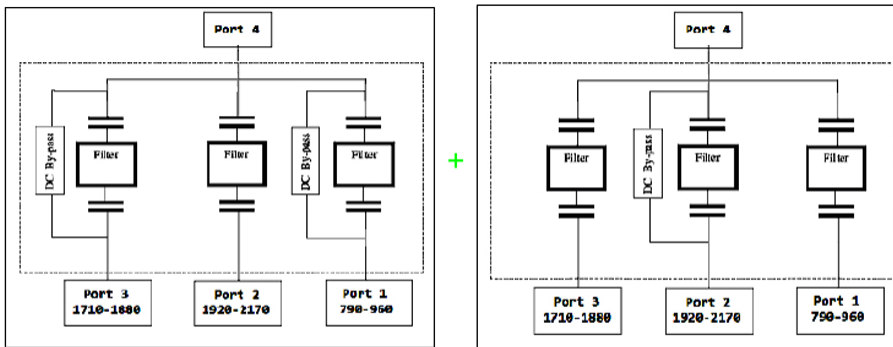
# E11F05P49

<b>Sub-module</b>	<b>1   2</b>	<b>1   2</b>	<b>1   2</b>
<b>Branch</b>	1	2	3
<b>Port Designation</b>	790-960	1710-1880	1920-2170
<b>License Band</b>	CEL 850, Band Pass CEL 900, Band Pass EDD 800, Band Pass LMR 800, Band Pass LMR 900, Band Pass	DCS 1800, Band Pass	IMT 2100, Band Pass

## Electrical Specifications, Band Pass

Frequency Range, MHz	<b>790–960</b>	<b>1710–1880</b>	<b>1920–2170</b>
<b>Insertion Loss, typical, dB</b>	0.15	0.2	0.2
<b>Return Loss, minimum, dB</b>	21	21	21
<b>Return Loss, typical, dB</b>	24	24	24
<b>Isolation, minimum, dB</b>	50	50	50
<b>Input Power, RMS, maximum, W</b>	350	250	250
<b>Input Power, PEP, maximum, W</b>	3000	2500	2500
<b>3rd Order PIM, maximum, dBc</b>	-153	-153	-153
<b>3rd Order PIM Test Method</b>	Two +43 dBm carriers	Two +43 dBm carriers	Two +43 dBm carriers

## Block Diagram



## Environmental Specifications

<b>Operating Temperature</b>	-40 °C to +60 °C (-40 °F to +140 °F)
<b>Relative Humidity</b>	Up to 100%
<b>Corrosion Test Method</b>	IEC 60068-2-11, 30 days
<b>Ingress Protection Test Method</b>	IEC 60529:2001, IP67

# E11F05P49

---

## Packaging and Weights

<b>Included</b>	Mounting hardware
<b>Volume</b>	3.1 L
<b>Weight, net</b>	4.7 kg   10.362 lb

## Regulatory Compliance/Certifications

### Agency

ISO 9001:2015



### Classification

Designed, manufactured and/or distributed under this quality management system