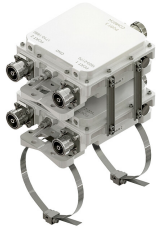


E11F03P42



Twin Diplexer, DCS 1800/UMTS 2100, AISG compatible, (DC Smart Bypass)

- Industry leading PIM performance
- Designed for network Modernization, introduction of LTE1800 on existing site
- Designed for network Modernization, introduction of UMTS2100 on existing site
- Twin configuration
- DC/AISG SMART bypass functionality

OBSOLETE

This product was discontinued on: June 30, 2022

Replaced By:

E14F05P22

Twin Diplexer, DCS 1800/UMTS 2100, AISG compatible, (DC Smart Bypass), with 4.3-10 connectors.

Product Classification

Product Type Diplexer

General Specifications

Product Family CBC1821

Color Gray

Common Port Label PORT 3 COMMON

Modularity 2-Twin

Mounting Pole | Wall

Mounting Pipe Hardware Band clamps (2)

RF Connector Interface 7-16 DIN Female

RF Connector Interface Body Style Long neck

Dimensions

Height 149 mm | 5.866 in

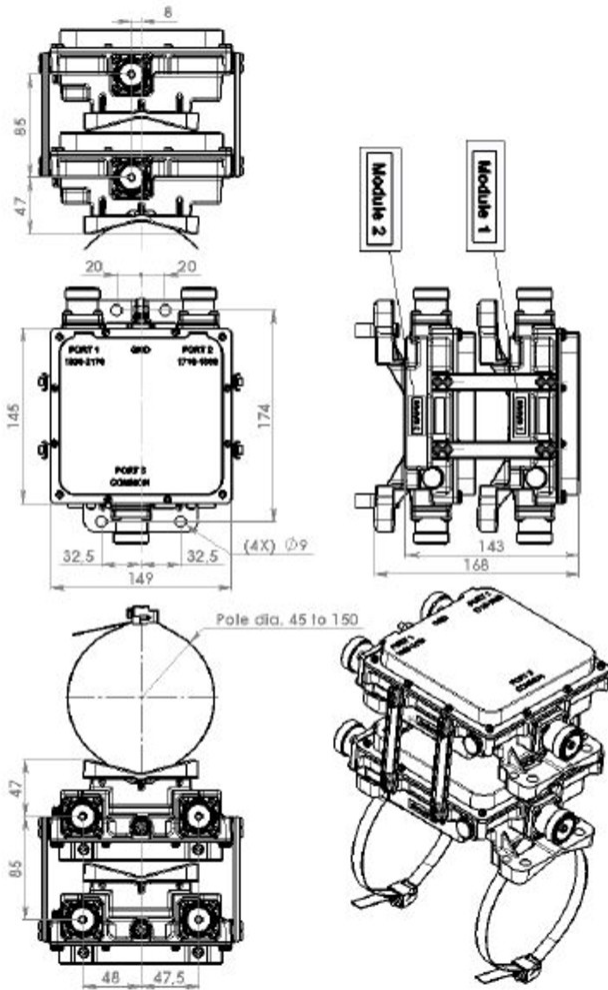
Width 145 mm | 5.709 in

Depth 143 mm | 5.63 in

Mounting Pipe Diameter Range 40–160 mm

E11F03P42

Outline Drawing



Electrical Specifications

Impedance	50 ohm
License Band, Band Pass	DCS 1800 IMT 2100

Electrical Specifications, dc Power/Alarm

dc/AISG Pass-through Method	Auto sensing
dc/AISG Pass-through, combiner	dc Sensing
Lightning Surge Current	3 kA
Lightning Surge Current Waveform	10/350 waveform

E11F03P42

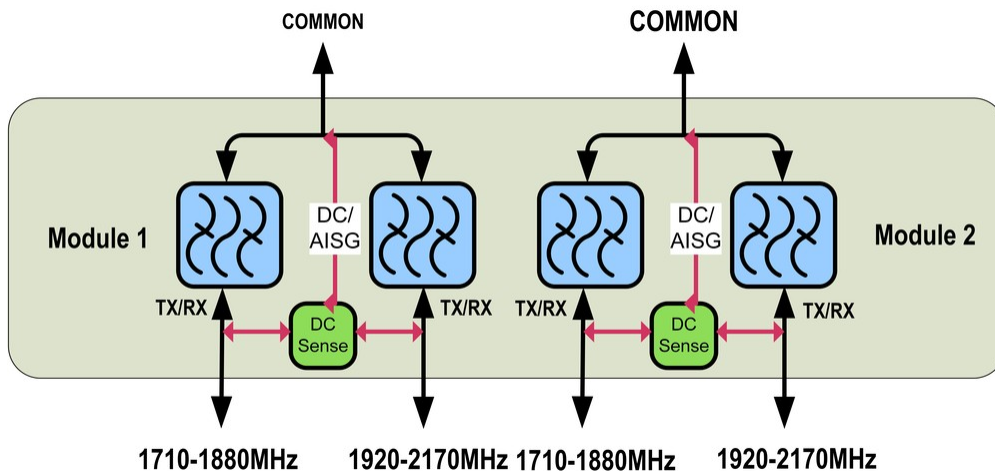
Electrical Specifications

Sub-module	1 2	1 2
Branch	1	2
Port Designation	PORT 2 1710-1880	PORT 1 1920-2170
License Band	DCS 1800, Band Pass IMT 2100, Band Pass	

Electrical Specifications, Band Pass

Frequency Range, MHz	1710–1880	1920–2170
Insertion Loss, typical, dB	0.15	0.25
Return Loss, minimum, dB	18	18
Return Loss, typical, dB	20	20
Isolation, minimum, dB	50	50
Input Power, RMS, maximum, W	250	250
Input Power, PEP, maximum, W	2500	2500
3rd Order PIM, typical, dBc	-160	-160
3rd Order PIM Test Method	Two +43 dBm carriers	Two +43 dBm carriers

Block Diagram



Environmental Specifications

Operating Temperature	-40 °C to +60 °C (-40 °F to +140 °F)
Corrosion Test Method	IEC 60068-2-11, 30 days
Ingress Protection Test Method	IEC 60529:2001, IP67

E11F03P42

Packaging and Weights

Included	Mounting hardware
Volume	2.5 L
Weight, net	3.8 kg 8.378 lb

Regulatory Compliance/Certifications

Agency	Classification
ISO 9001:2015	Designed, manufactured and/or distributed under this quality management system

