

E11F03P39



Twin Diplexer, 1695-2180/2300-2690 MHz, DC/AISG SMART bypass

- Industry leading PIM performance
- Twin configuration
- Designed for network Modernization, introduction of LTE2600 on existing site
- DC/AISG SMART bypass functionality

OBSOLETE

This product was discontinued on: July 1, 2022

Replaced By:

E14F05P25

Twin Diplexer, 1695-2180/2300-2690 MHz, DC/AISG SMART bypass, with 4.3-10 connectors

Product Classification

Product Type Diplexer

General Specifications

Product Family CBC1726

Color Gray

Common Port Label COMM

Modularity 2-Twin

Mounting Pole | Wall

Mounting Pipe Hardware Band clamps (2)

RF Connector Interface 7-16 DIN Female

RF Connector Interface Body Style Medium neck

Dimensions

Height 152.4 mm | 6 in

Width 123 mm | 4.843 in

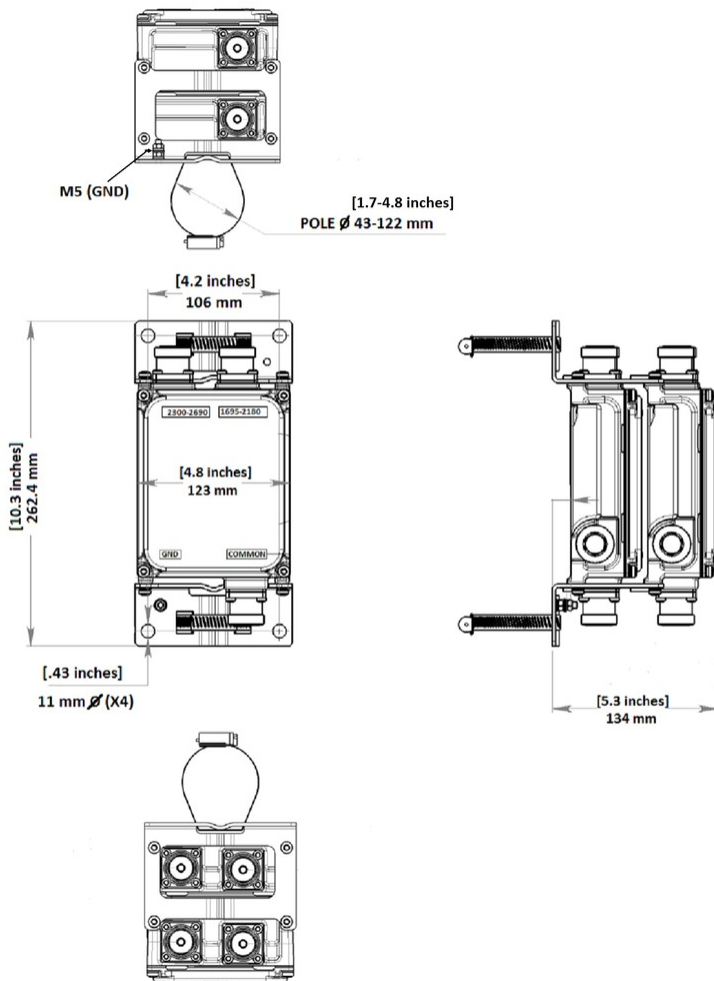
Depth 121 mm | 4.764 in

Ground Screw Diameter 6 mm | 0.236 in

Mounting Pipe Diameter Range 42.6–122 mm

E11F03P39

Outline Drawing



Electrical Specifications

Impedance	50 ohm
License Band, Band Pass	AWS 1700 DCS 1800 IMT 2100 IMT 2600 PCS 1900 WCS 2300

Electrical Specifications, dc Power/Alarm

dc/AISG Pass-through, combiner	dc Sensing
Lightning Surge Current	3 kA
Lightning Surge Current Waveform	10/350 waveform

Electrical Specifications

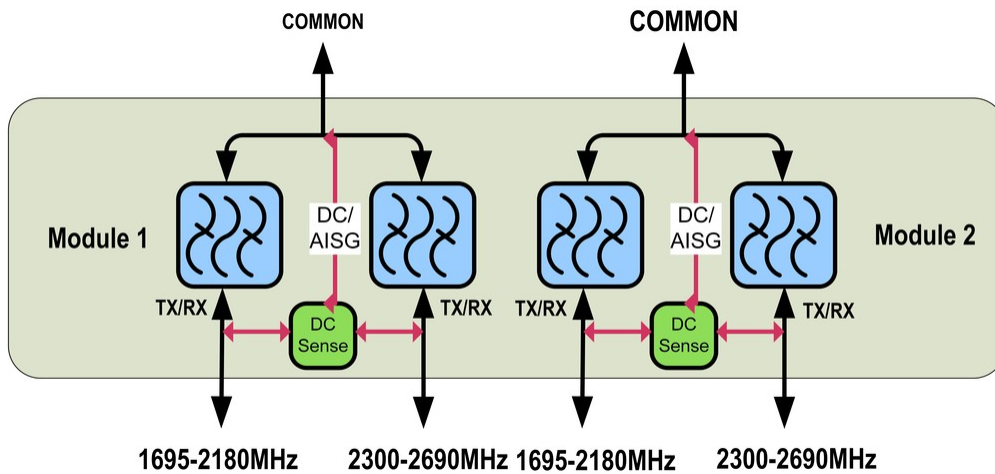
E11F03P39

Sub-module	1 2	1 2
Branch	1	2
Port Designation	1695-2180	2300-2690
License Band	AWS 1700, Band Pass DCS 1800, Band Pass IMT 2100, Band Pass PCS 1900, Band Pass	IMT 2600, Band Pass WCS 2300, Band Pass

Electrical Specifications, Band Pass

Frequency Range, MHz	1695–2180	2300–2690
Insertion Loss, typical, dB	0.3	0.35
Total Group Delay, maximum, ns	30	30
Return Loss, typical, dB	20	20
Isolation, minimum, dB	50	50
Input Power, PEP, maximum, W	3500	3500
3rd Order PIM, typical, dBc	-160	-160
3rd Order PIM Test Method	Two +43 dBm carriers	Two +43 dBm carriers

Block Diagram



Environmental Specifications

Operating Temperature	-40 °C to +60 °C (-40 °F to +140 °F)
Relative Humidity	Up to 100%
Corrosion Test Method	IEC 60068-2-11, 30 days
Ingress Protection Test Method	IEC 60529:2001, IP67

E11F03P39

Packaging and Weights

Included	Mounting hardware
Volume	2.3 L
Weight, net	5 kg 11.023 lb