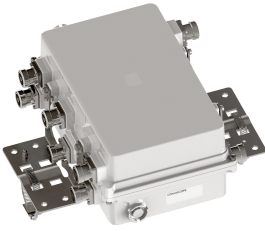


E11F03P18



CS-TPX 700/825-880/898.4-960 DC ALL, RJ30

- Twin configuration
- dc/AISG pass-through on all frequency ports
- Additional Rejection in 880-890 MHz band 30 dB

Product Classification

Product Type Triplexer

General Specifications

Product Family CBC1821

Color Gray

Common Port Label PORT 3 COMMON

Modularity 2-Twin

Mounting Pole | Wall

Mounting Pipe Hardware Band clamps (2)

RF Connector Interface 7-16 DIN Female

RF Connector Interface Body Style Long neck

Dimensions

Height 337 mm | 13.268 in

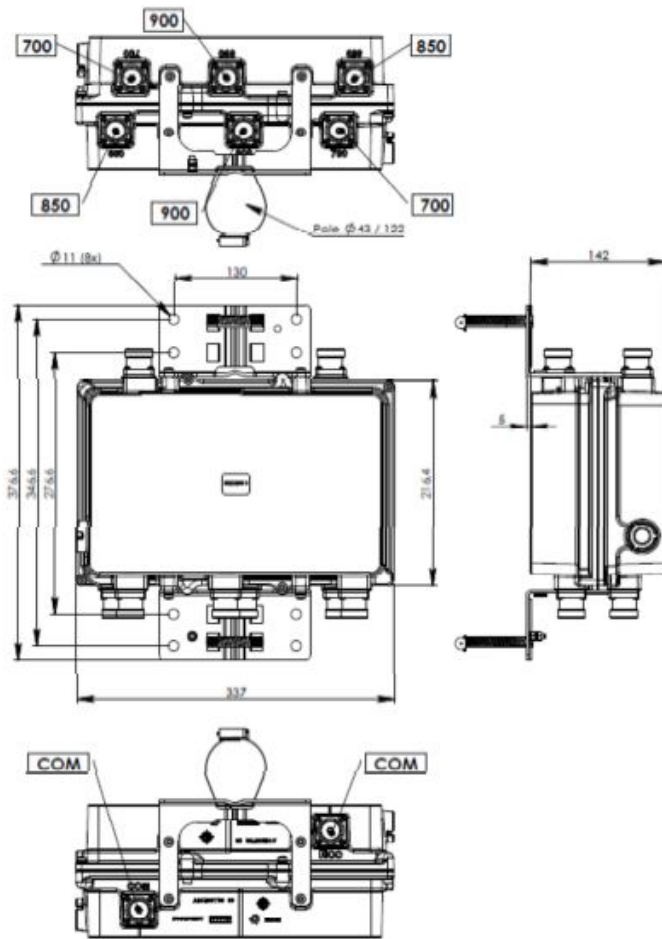
Width 216.5 mm | 8.524 in

Depth 142 mm | 5.591 in

Mounting Pipe Diameter Range 42.6–122 mm

E11F03P18

Outline Drawing



Electrical Specifications

Impedance	50 ohm
License Band, Band Pass	APT 700 CEL 850 CEL 900 DCS 1800 IMT 2100 USA 700

Electrical Specifications, dc Power/Alarm

dc/AISG Pass-through Method	Factory set
dc/AISG Pass-through Path	Branch 1 Branch 2 Branch 3
dc/AISG Pass-through, combiner	Branch 1 Branch 2 Branch 3
dc/AISG Pass-through, demultiplexer	Branch 1 Branch 2 Branch 3
Lightning Surge Current	10 kA

E11F03P18

Lightning Surge Current Waveform

8/20 waveform

Electrical Specifications

Sub-module	1 2	1 2	1 2
Branch	1	2	3
Port Designation	PORT 1 850	PORT 2 900	PORT 3 700
License Band	CEL 850, Band Pass	CEL 900, Band Pass	APT 700, Band Pass USA 700, Band Pass

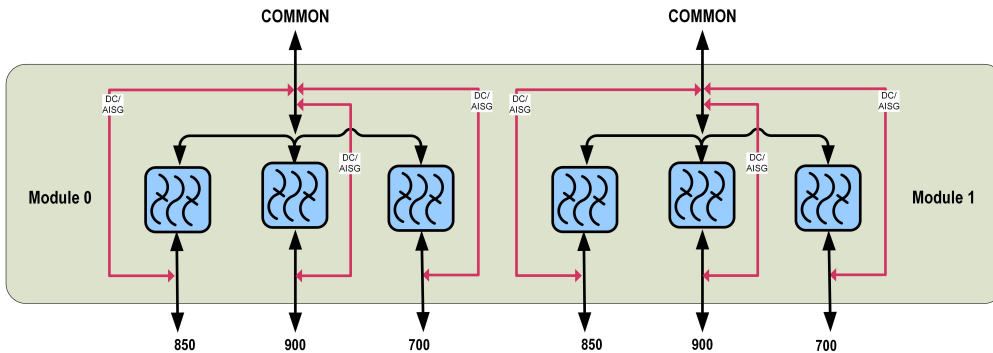
Electrical Specifications, Band Pass

Frequency Range, MHz	825–880	898.4–960	703–803
Insertion Loss, typical, dB	0.35	0.3	0.3
Return Loss, typical, dB	20	20	20
Isolation, minimum, dB	50	50	50
Input Power, RMS, maximum, W	160	160	160
Input Power, PEP, maximum, W	2500	2500	2500
3rd Order PIM, typical, dBc	-153	-153	-153
3rd Order PIM Test Method	Two +43 dBm carriers	Two +43 dBm carriers	Two +43 dBm carriers

Electrical Specifications, Band Reject

Frequency Range, MHz	880–890
Attenuation, minimum, dB	30

Block Diagram



Environmental Specifications

Operating Temperature	-40 °C to +60 °C (-40 °F to +140 °F)
Corrosion Test Method	IEC 60068-2-11, 30 days

E11F03P18

Ingress Protection Test Method IEC 60529:2001, IP67

Packaging and Weights

Included Mounting hardware

Volume 10.5 L

Weight, net 12 kg | 26.455 lb

Regulatory Compliance/Certifications

Agency

ISO 9001:2015



Classification

Designed, manufactured and/or distributed under this quality management system