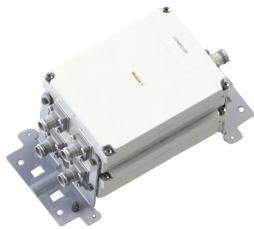


# E11F03P13



Twin Diplexer, LTE 700-800/GSM 900, AISG compatible, dc pass on all ports

- New 4.3-10 connectors for improved PIM performance and size reduction
- Industry leading PIM performance
- Twin configuration
- Designed for network modernization application, introduction of LTE700 and LTE800 on existing site
- dc/AISG pass-through on all frequency ports

## OBSOLETE

This product was discontinued on: December 31, 2023

### Replaced By:

E14F06P20

Twin Diplexer, 700-800/900 DC Bypass All ports, 4.3-10 connectors

## Product Classification

**Product Type** Diplexer

## General Specifications

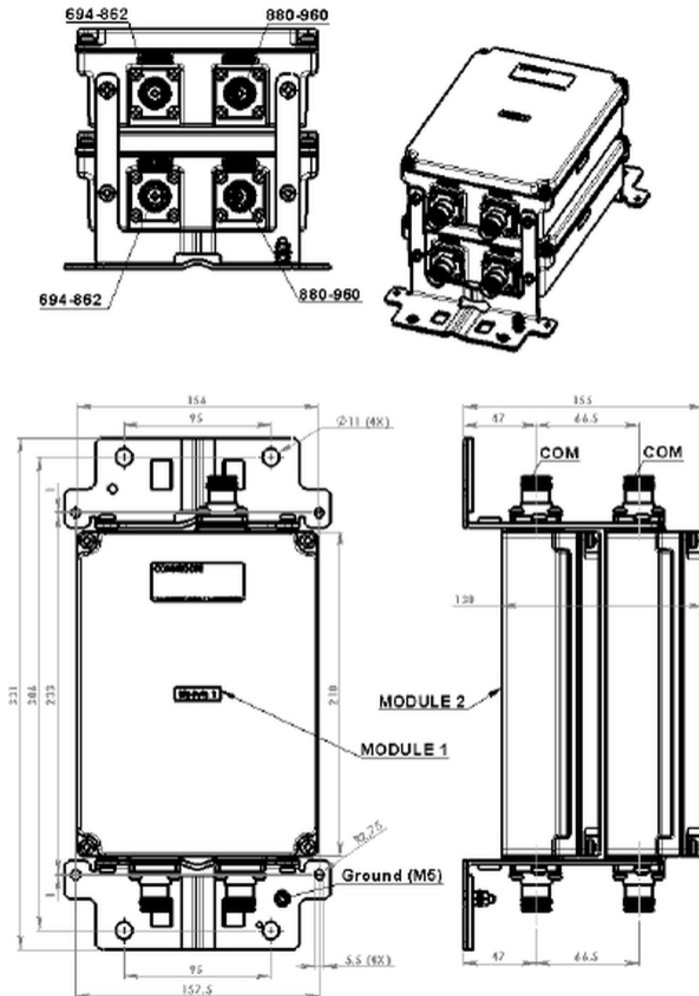
**Product Family** CBC789  
**Color** Gray  
**Common Port Label** PORT 3 COMMON  
**Modularity** 2-Twin  
**Mounting** Pole | Wall  
**Mounting Pipe Hardware** Band clamps (2)  
**RF Connector Interface** 4.3-10 Female  
**RF Connector Interface Body Style** Long neck

## Dimensions

**Height** 130 mm | 5.118 in  
**Width** 210 mm | 8.268 in  
**Depth** 156 mm | 6.142 in  
**Mounting Pipe Diameter Range** 40–160 mm

# E11F03P13

## Outline Drawing



## Electrical Specifications

|                                |                                       |
|--------------------------------|---------------------------------------|
| <b>Impedance</b>               | 50 ohm                                |
| <b>License Band, Band Pass</b> | APT 700   CEL 900   EDD 800   LMR 800 |

## Electrical Specifications, dc Power/Alarm

|   |                     |
|---|---------------------|
| <b>dc/AISG Pass-through Method</b>      | Factory set         |
| <b>dc/AISG Pass-through Path</b>        | Branch 1   Branch 2 |
| <b>dc/AISG Pass-through, combiner</b>   | Branch 1   Branch 2 |
| <b>Lightning Surge Current</b>          | 5 kA                |
| <b>Lightning Surge Current Waveform</b> | 8/20 waveform       |

# E11F03P13

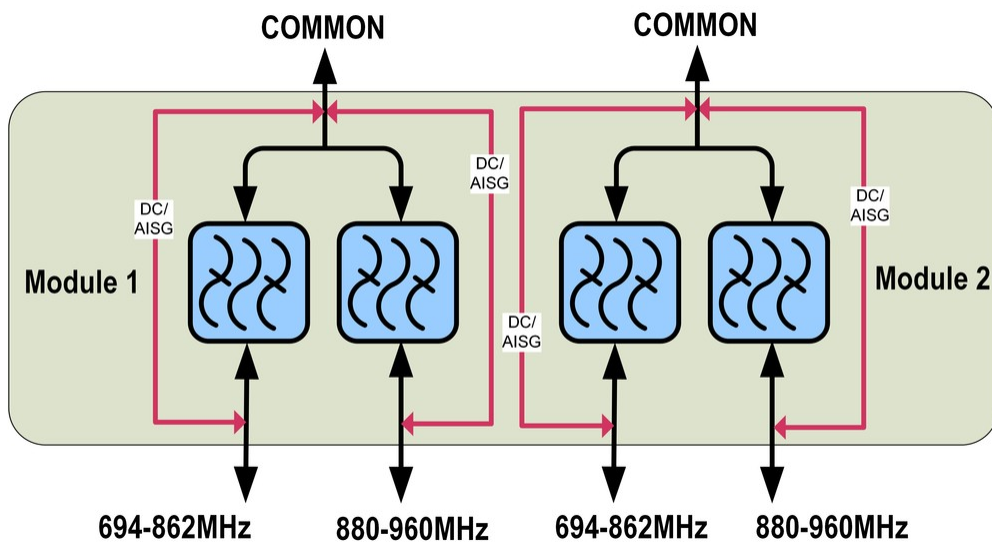
## Electrical Specifications

|                         |  |                    |
|-------------------------|--|--------------------|
| <b>Sub-module</b>       | <b>1   2</b>   | <b>1   2</b>       |
| <b>Branch</b>           | 1  | 2                  |
| <b>Port Designation</b> | PORT 1 694-862   | PORT 2 880-960     |
| <b>License Band</b>     | APT 700, Band Pass<br>EDD 800, Band Pass<br>LMR 800, Band Pass | CEL 900, Band Pass |

## Electrical Specifications, Band Pass

|                                     |                      |                      |
|-------------------------------------|----------------------|----------------------|
| <b>Frequency Range, MHz</b>         | <b>694–862</b>       | <b>880–960</b>       |
| <b>Insertion Loss, typical, dB</b>  | 0.2                  | 0.2                  |
| <b>Return Loss, typical, dB</b>     | 22                   | 22                   |
| <b>Isolation, minimum, dB</b>       | 50                   | 50                   |
| <b>Input Power, RMS, maximum, W</b> | 300                  | 300                  |
| <b>Input Power, PEP, maximum, W</b> | 3000                 | 3000                 |
| <b>3rd Order PIM, typical, dBc</b>  | -160                 | -160                 |
| <b>3rd Order PIM Test Method</b>    | Two +43 dBm carriers | Two +43 dBm carriers |

## Block Diagram



## Environmental Specifications

|                              |                                      |
|------------------------------|--------------------------------------|
| <b>Operating Temperature</b> | -40 °C to +65 °C (-40 °F to +149 °F) |
|------------------------------|--------------------------------------|

# E11F03P13

---

**Corrosion Test Method** IEC 60068-2-11, 30 days

**Ingress Protection Test Method** IEC 60529:2001, IP67

## Packaging and Weights

**Included** Mounting hardware

**Volume** 4.2 L

**Weight, net** 5.2 kg | 11.464 lb

## Regulatory Compliance/Certifications

### Agency

ISO 9001:2015



### Classification

Designed, manufactured and/or distributed under this quality management system