

E11F02P55



Twin Diplexer, 1710 - 2400/2500-2690 MHz, dc bypass on all ports

- Industry leading PIM performance
- Twin configuration

OBSOLETE

This product was discontinued on: June 30, 2022

Product Classification

Product Type Diplexer

General Specifications

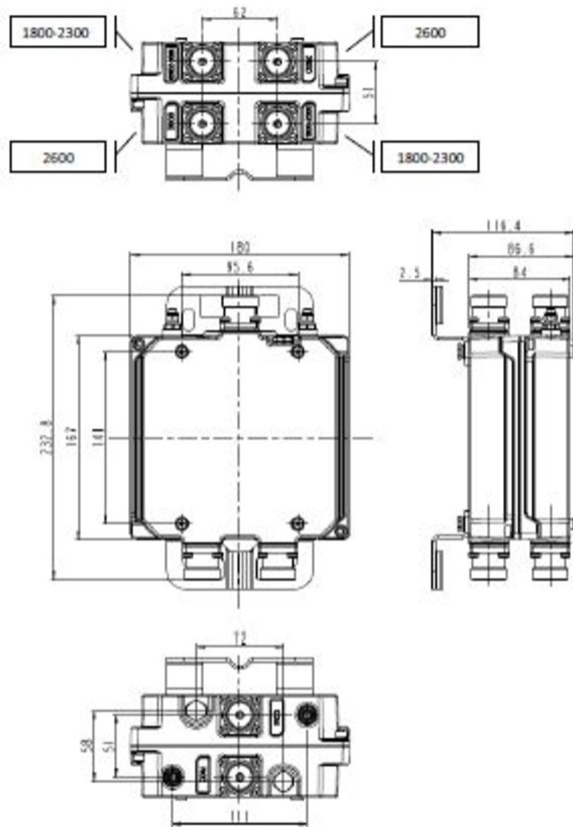
Product Family CBC1726
Color Gray
Common Port Label COMM
Modularity 2-Twin
Mounting Pole | Wall
Mounting Pipe Hardware Band clamps (2)
RF Connector Interface 7-16 DIN Female
RF Connector Interface Body Style Medium neck

Dimensions

Height 167 mm | 6.575 in
Width 180 mm | 7.087 in
Depth 87 mm | 3.425 in
Ground Screw Diameter 6 mm | 0.236 in
Mounting Pipe Diameter Range 42.6–122 mm

Outline Drawing

E11F02P55



Electrical Specifications

Impedance	50 ohm
License Band, Band Pass	AWS 1700 DCS 1800 IMT 2100 IMT 2600 PCS 1900 WCS 2300

Electrical Specifications, dc Power/Alarm

dc/AISG Pass-through, combiner	Branch 1
dc/AISG Pass-through, demultiplexer	Branch 1
Lightning Surge Current	3 kA
Lightning Surge Current Waveform	10/350 waveform

Electrical Specifications

Sub-module	1 2	1 2
-------------------	-------	-------

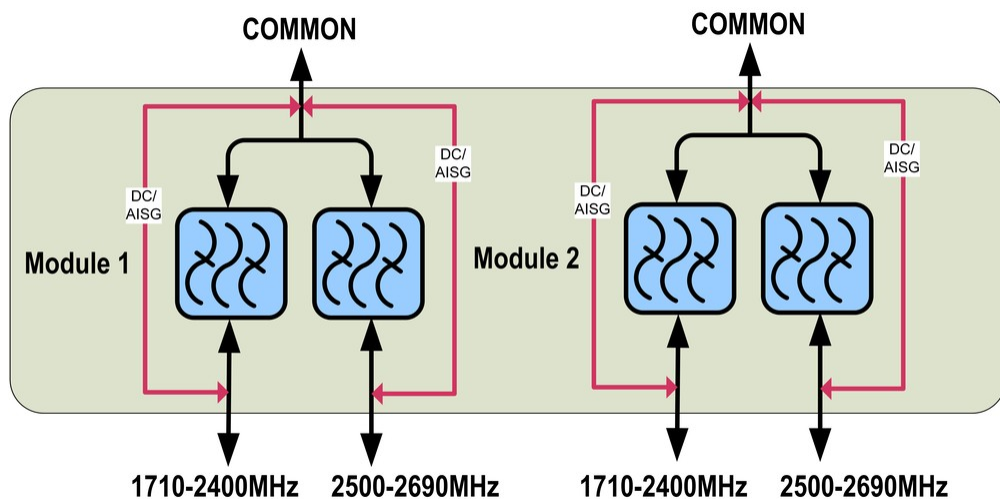
E11F02P55

Branch	1	2
Port Designation	1710-2400	2500-2690
License Band	AWS 1700, Band Pass DCS 1800, Band Pass IMT 2100, Band Pass PCS 1900, Band Pass	IMT 2600, Band Pass WCS 2300, Band Pass

Electrical Specifications, Band Pass

Frequency Range, MHz	1710–2400	2500–2690
Insertion Loss, typical, dB	0.2	0.2
Total Group Delay, typical, ns	10	14
Return Loss, typical, dB	20	20
Isolation, minimum, dB	50	50
Input Power, RMS, maximum, W	300	300
Input Power, PEP, maximum, W	3500	3500
3rd Order PIM, typical, dBc	-158	-158
3rd Order PIM Test Method	Two +43 dBm carriers	Two +43 dBm carriers

Block Diagram



Environmental Specifications

Operating Temperature	-40 °C to +65 °C (-40 °F to +149 °F)
Relative Humidity	Up to 100%
Corrosion Test Method	IEC 60068-2-11, 30 days

E11F02P55

Ingress Protection Test Method IEC 60529:2001, IP67

Packaging and Weights

Included Mounting hardware

Volume 2.7 L

Weight, net 4.5 kg | 9.921 lb