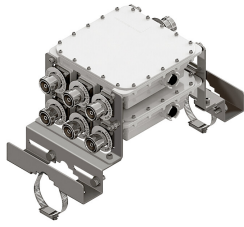


# E11F02P33



2X Triplexer 1710-1880/1920-2170/2300-2690, dc bypass on port 1

## OBSOLETE

This product was discontinued on: July 1, 2022

### Replaced By:

E12F02P33

2X Triplexer 1710-1880/1920-2170/2300-2600, with 4.3-10 connectors, dc bypass on port 1

## Product Classification

**Product Type** Triplexer

## General Specifications

**Product Family** CBC182126

**Color** Gray

**Common Port Label** COM

**Modularity** 2-Twin

**Mounting** Pole | Wall

**Mounting Pipe Hardware** Band clamps (2)

**RF Connector Interface** 7-16 DIN Female

**RF Connector Interface Body Style** Medium neck

## Dimensions

**Height** 182.5 mm | 7.185 in

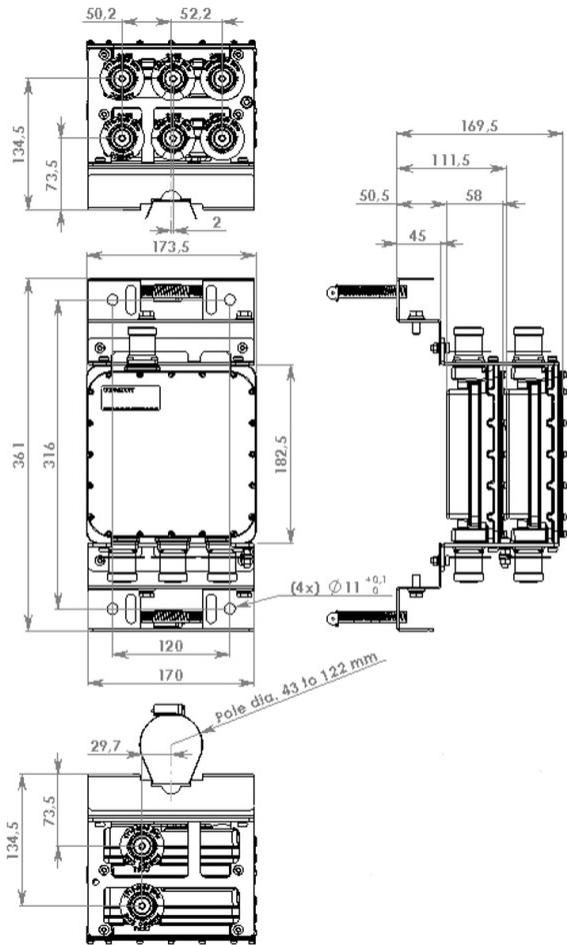
**Width** 129 mm | 5.079 in

**Depth** 173.5 mm | 6.831 in

**Mounting Pipe Diameter Range** 42.6–122 mm

# E11F02P33

## Outline Drawing



## Electrical Specifications

<b>Impedance</b>	50 ohm
<b>License Band, Band Pass</b>	DCS 1800   IMT 2100   IMT 2600

## Electrical Specifications, dc Power/Alarm

<b>dc/AISG Pass-through, combiner</b>	Branch 1
<b>dc/AISG Pass-through, demultiplexer</b>	Branch 1
<b>Lightning Surge Current</b>	5 kA
<b>Lightning Surge Current Waveform</b>	8/20 waveform

# E11F02P33

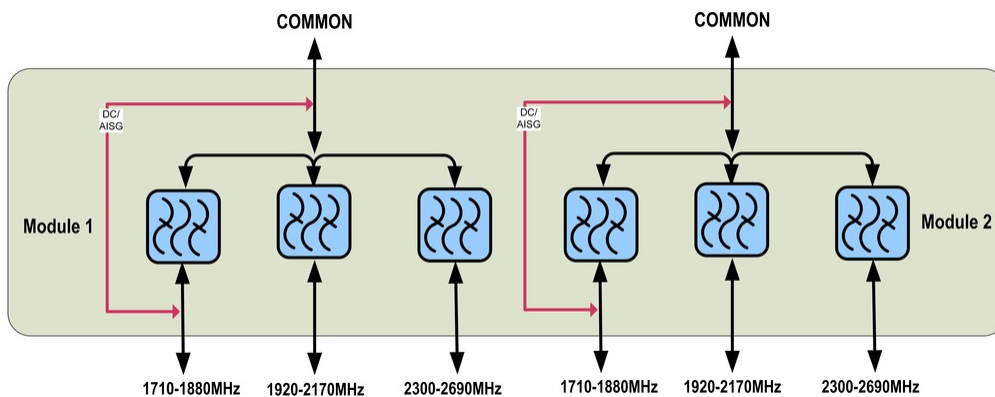
## Electrical Specifications

<b>Sub-module</b>	<b>1   2</b>	<b>1   2</b>	<b>1   2</b>
<b>Branch</b>	1	2	3
<b>Port Designation</b>	1800	2100	2600
<b>License Band</b>	DCS 1800, Band Pass IMT 2100, Band Pass IMT 2600, Band Pass		

## Electrical Specifications, Band Pass

<b>Frequency Range, MHz</b>	<b>1710–1880</b>	<b>1920–2170</b>	<b>2300–2690</b>
<b>Insertion Loss, typical, dB</b>	0.25	0.25	0.2
<b>Return Loss, minimum, dB</b>	18	18	18
<b>Return Loss, typical, dB</b>	20	20	20
<b>Isolation, minimum, dB</b>	50	50	50
<b>Input Power, RMS, maximum, W</b>	300	300	300
<b>3rd Order PIM, maximum, dBc</b>	-160	-160	-160
<b>3rd Order PIM Test Method</b>	Two +43 dBm carriers	Two +43 dBm carriers	Two +43 dBm carriers

## Block Diagram



## Environmental Specifications

<b>Operating Temperature</b>	-40 °C to +60 °C (-40 °F to +140 °F)
<b>Relative Humidity</b>	Up to 100%
<b>Corrosion Test Method</b>	IEC 60068-2-11, 30 days
<b>Ingress Protection Test Method</b>	IEC 60529:2001, IP67

## Packaging and Weights

# E11F02P33

---

<b>Included</b>	Mounting hardware
<b>Volume</b>	3.9 L
<b>Weight, net</b>	6.2 kg   13.669 lb

## Regulatory Compliance/Certifications

**Agency**

ISO 9001:2015

**Classification**

Designed, manufactured and/or distributed under this quality management system