

# E11F01P93



Triplexer 700-900/1700-2100/2300-2700, dc bypass on all ports

- Industry leading PIM performance
- Designed for network Modernization, introduction of LTE1800 on existing site
- Designed for network Modernization, introduction of LTE2600 on existing site
- DC/AISG passing on all ports
- Single configuration

## OBSOLETE

This product was discontinued on: December 31, 2023

### Replaced By:

E12F01P93

Triplexer 700-900/1700-2100/2300-2700, dc bypass on all ports

## Product Classification

**Product Type** Triplexer

## General Specifications

**Product Family** CBC182126

**Color** Gray

**Common Port Label** COM

**Modularity** 1-Single

**Mounting** Pole | Wall

**Mounting Pipe Hardware** Band clamps (2)

**RF Connector Interface** 7-16 DIN Female

**RF Connector Interface Body Style** Medium neck

## Dimensions

**Height** 182 mm | 7.165 in

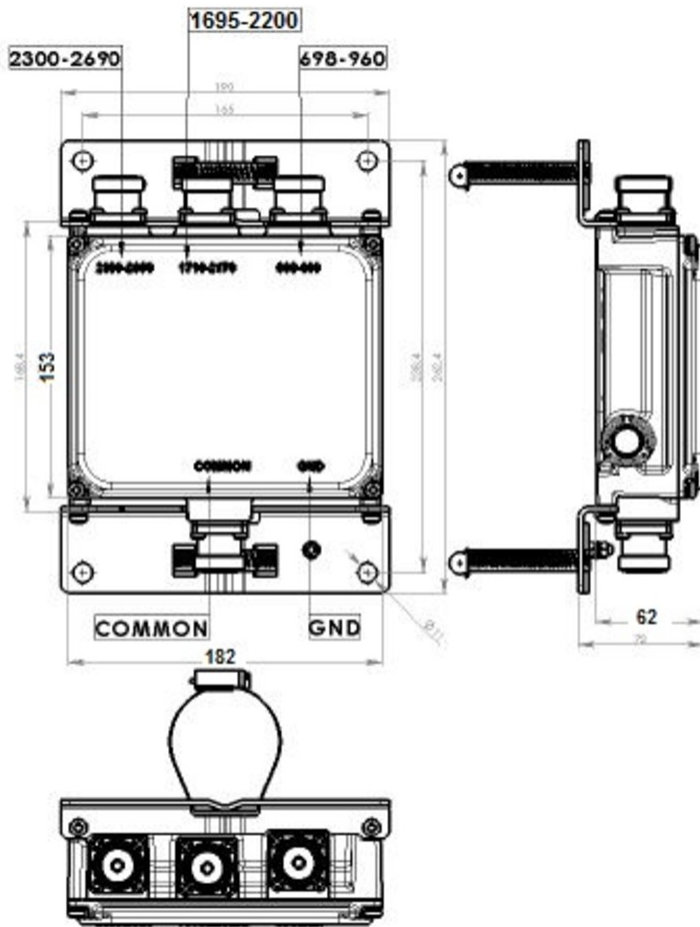
**Width** 62 mm | 2.441 in

**Depth** 168 mm | 6.614 in

**Mounting Pipe Diameter Range** 42.6–122 mm

# E11F01P93

## Outline Drawing



## Electrical Specifications

<b>Impedance</b>	50 ohm
<b>License Band, Band Pass</b>	CEL 850   CEL 900   DCS 1800   EDD 800   IMT 2100   IMT 2600   USA 700   WCS 2300

## Electrical Specifications, dc Power/Alarm

<b>dc/AISG Pass-through, combiner</b>	Branch 1   Branch 2   Branch 3
<b>dc/AISG Pass-through, demultiplexer</b>	Branch 1   Branch 2   Branch 3
<b>Lightning Surge Current</b>	5 kA
<b>Lightning Surge Current Waveform</b>	8/20 waveform

# E11F01P93

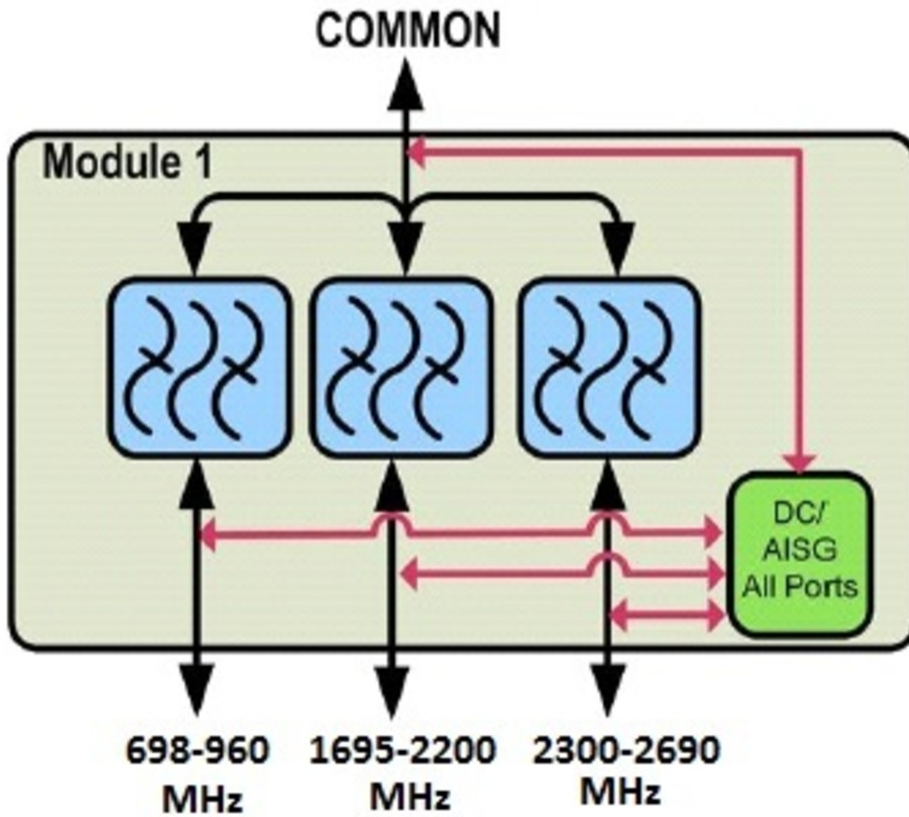
## Electrical Specifications

<b>Sub-module</b>	<b>1</b>	<b>1</b>	<b>1</b>
<b>Branch</b>	1	2	3
<b>Port Designation</b>	700-900	1700-2100	2300-2700
<b>License Band</b>	USA 700, Band Pass EDD 800, Band Pass CEL 850, Band Pass CEL 900, Band Pass	IMT 2100, Band Pass DCS 1800, Band Pass	WCS 2300, Band Pass IMT 2600, Band Pass

## Electrical Specifications, Band Pass

<b>Frequency Range, MHz</b>	<b>698–960</b>	<b>1710–2170</b>	<b>2300–2690</b>
<b>Insertion Loss, typical, dB</b>	0.15	0.3	0.35
<b>Group Delay Variation, maximum, ns</b>	25	25	25
<b>Total Group Delay, typical, ns</b>	30	15	15
<b>Return Loss, typical, dB</b>	20	20	20
<b>Isolation, minimum, dB</b>	50	50	50
<b>Input Power, RMS, maximum, W</b>	300	300	300
<b>Input Power, PEP, maximum, W</b>	3500	3500	3500
<b>3rd Order PIM, typical, dBc</b>	-157	-157	-157
<b>3rd Order PIM Test Method</b>	Two +43 dBm carriers	Two +43 dBm carriers	Two +43 dBm carriers

## Block Diagram



## Environmental Specifications

<b>Operating Temperature</b>	-40 °C to +65 °C (-40 °F to +149 °F)
<b>Relative Humidity</b>	Up to 100%
<b>Corrosion Test Method</b>	IEC 60068-2-11, 30 days
<b>Ingress Protection Test Method</b>	IEC 60529:2001, IP67

## Packaging and Weights

<b>Included</b>	Mounting hardware
<b>Volume</b>	1.9 L
<b>Weight, net</b>	3.2 kg   7.055 lb

## Regulatory Compliance/Certifications

<b>Agency</b>	<b>Classification</b>
ISO 9001:2015	Designed, manufactured and/or distributed under this quality management system

# E11F01P93

---

