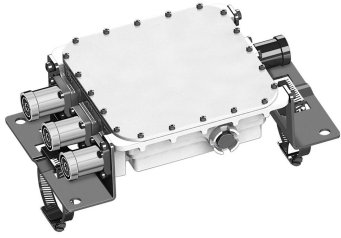


E11F01P80



Triplexer 1710-1880/1920-2170/2300-2690, dc bypass on all ports

- Industry leading PIM performance
- Single configuration
- Designed for network Modernization, introduction of LTE2300 on existing site
- Designed for network Modernization, introduction of LTE2600 on existing site
- dc/AISG pass-through on all frequency ports

OBSOLETE

This product was discontinued on: December 31, 2023

Replaced By:

E12F01P80

Triplexer 1710-1880/1920-2170/2300-2690, dc bypass on all ports, with 4.3-10 connectors

Product Classification

Product Type Triplexer

General Specifications

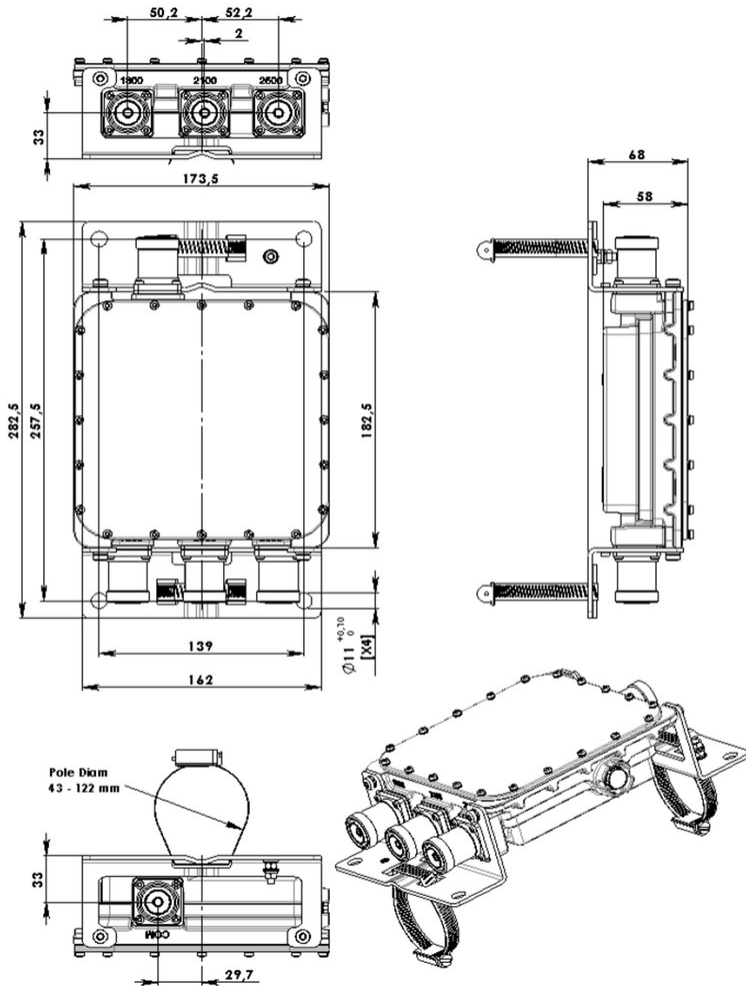
Product Family	CBC182126
Color	Gray
Common Port Label	COM
Modularity	1-Single
Mounting	Pole Wall
Mounting Pipe Hardware	Band clamps (2)
RF Connector Interface	7-16 DIN Female
RF Connector Interface Body Style	Medium neck

Dimensions

Height	182.5 mm 7.185 in
Width	58 mm 2.283 in
Depth	173.5 mm 6.831 in
Mounting Pipe Diameter Range	42.6–122 mm

E11F01P80

Outline Drawing



Electrical Specifications

Impedance	50 ohm
License Band, Band Pass	DCS 1800 IMT 2100 IMT 2600 TDD 2300 TDD 2600 WCS 2300

Electrical Specifications, dc Power/Alarm

dc/AISG Pass-through, combiner	Branch 1 Branch 2 Branch 3
dc/AISG Pass-through, demultiplexer	Branch 1 Branch 2 Branch 3
Lightning Surge Current	5 kA
Lightning Surge Current Waveform	8/20 waveform

E11F01P80

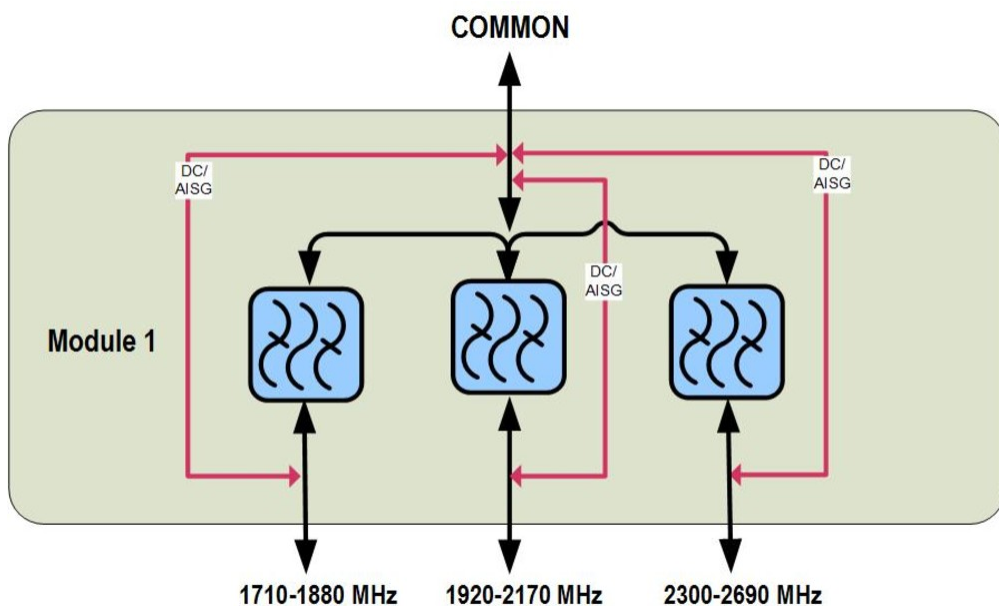
Electrical Specifications

Sub-module	1	1	1
Branch	1	2	3
Port Designation	1800	2100	2300-2600
License Band	DCS 1800, Band Pass	IMT 2100, Band Pass	TDD 2300, Band Pass WCS 2300, Band Pass IMT 2600, Band Pass TDD 2600, Band Pass

Electrical Specifications, Band Pass

Frequency Range, MHz	1710–1880	1920–2170	2300–2690
Insertion Loss, typical, dB	0.25	0.25	0.2
Return Loss, typical, dB	20	20	20
Isolation, minimum, dB	50	50	50
Input Power, RMS, maximum, W	300	300	300
Input Power, PEP, maximum, W	5000	5000	5000
3rd Order PIM, typical, dBc	-160	-160	-160
3rd Order PIM Test Method	Two +43 dBm carriers	Two +43 dBm carriers	Two +43 dBm carriers

Block Diagram



Environmental Specifications

E11F01P80

Operating Temperature	-40 °C to +60 °C (-40 °F to +140 °F)
Relative Humidity	Up to 100%
Corrosion Test Method	IEC 60068-2-11, 30 days
Ingress Protection Test Method	IEC 60529:2001, IP67

Packaging and Weights

Included	Mounting hardware
Volume	1.8 L
Weight, net	3.1 kg 6.834 lb

Regulatory Compliance/Certifications

Agency	Classification
ISO 9001:2015	Designed, manufactured and/or distributed under this quality management system

