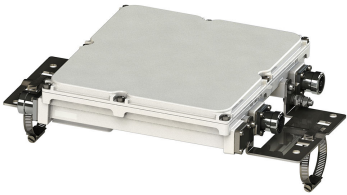


E11F01P67



Diplexer, 800/900 AISG compatible, dc pass on all ports

- dc/AISG pass-through on all frequency ports
- Industry leading PIM performance
- Designed for network Modernization, introduction of LTE800 on existing site

OBSOLETE

This product was discontinued on: July 1, 2022

Replaced By:

E11F02P71

Single Diplexer, 700-800/900 MHz, dc pass on all ports

Product Classification

Product Type Diplexer

General Specifications

Product Family CBC89

Color Gray

Modularity 2-Twin

Mounting Pole | Wall

Mounting Pipe Hardware Band clamps (2)

RF Connector Interface 7-16 DIN Female

RF Connector Interface Body Style Long neck

Dimensions

Height 255 mm | 10.039 in

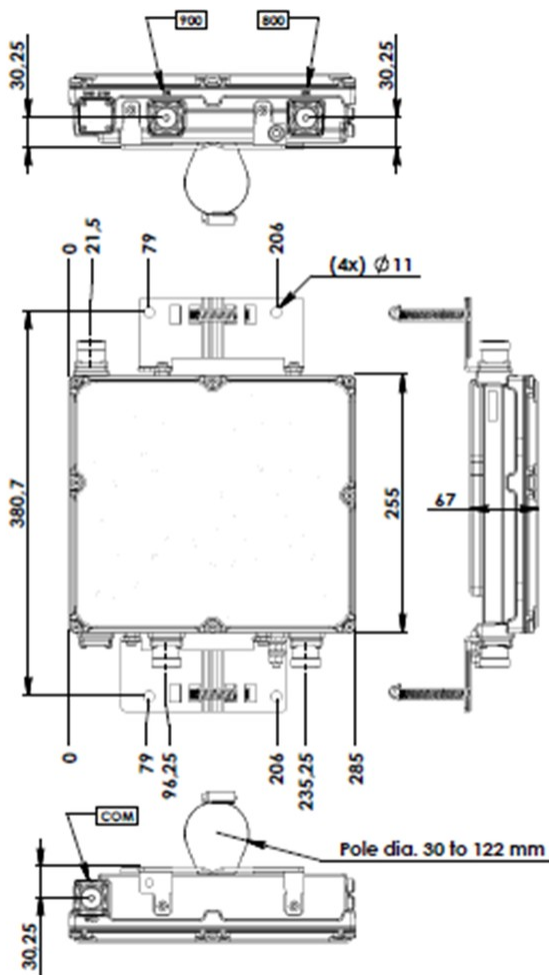
Width 285 mm | 11.22 in

Depth 67 mm | 2.638 in

Mounting Pipe Diameter Range 42.6–122 mm

E11F01P67

Outline Drawing



Electrical Specifications

Impedance	50 ohm
License Band, Band Pass	CEL 900 EDD 800 LMR 750

Electrical Specifications, Common Port

Composite Power, PEP	340 W
-----------------------------	-------

Electrical Specifications, dc Power/Alarm

dc/AISG Pass-through, combiner	Branch 1 Branch 2
dc/AISG Pass-through, demultiplexer	Branch 1 Branch 2
Lightning Surge Current	3 kA

E11F01P67

Lightning Surge Current Waveform

10/350 waveform

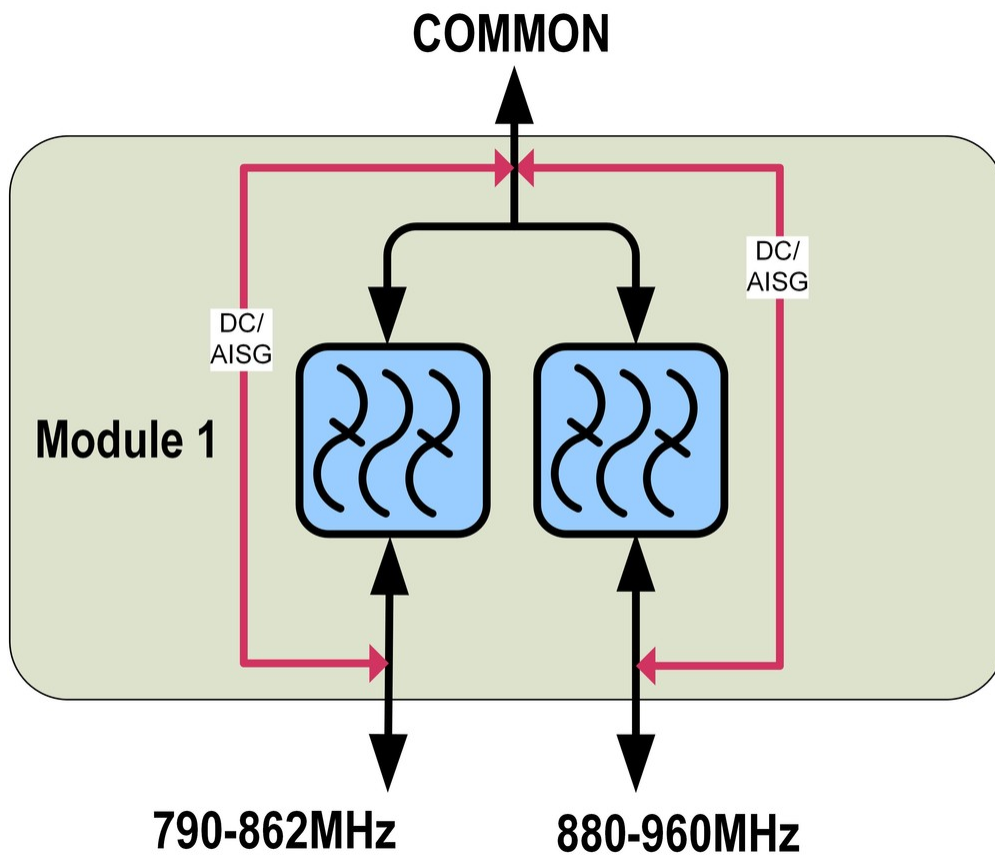
Electrical Specifications

Sub-module	1 2	1 2
Branch	1	2
Port Designation	800	900
License Band	EDD 800, Band Pass	CEL 900, Band Pass

Electrical Specifications, Band Pass

Frequency Range, MHz	790–862	880–960
Insertion Loss, maximum, dB	0.4	0.4
Return Loss, minimum, dB	21	21
Isolation, minimum, dB	50	50
3rd Order PIM, maximum, dBc	-160	-160
3rd Order PIM Test Method	Two +43 dBm carriers	Two +43 dBm carriers

Block Diagram



Environmental Specifications

Operating Temperature	-40 °C to +65 °C (-40 °F to +149 °F)
Corrosion Test Method	IEC 60068-2-11, 30 days
Ingress Protection Test Method	IEC 60529:2001, IP68

Packaging and Weights

Included	Mounting hardware
Weight, net	6.5 kg 14.33 lb

Regulatory Compliance/Certifications

Agency	Classification
ISO 9001:2015	Designed, manufactured and/or distributed under this quality management system

