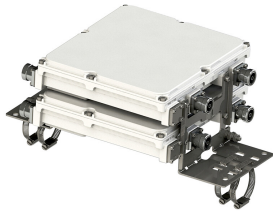


E11F01P66



Twin Triplexer 790-862/880-960 & 1710-1880 & 1920-2170 MHz, dc bypass on all ports

- Twin configuration
- dc/AISG pass-through on all frequency ports
- Industry leading PIM performance
- Designed for network Modernization, introduction of LTE800 on existing site

OBSOLETE

This product was discontinued on: July 1, 2022

Product Classification

Product Type Triplexer

General Specifications

Product Family CBC8921

Color Gray

Common Port Label COM

Modularity 2-Twin

Mounting Pole | Wall

Mounting Pipe Hardware Band clamps (2)

RF Connector Interface 7-16 DIN Female

RF Connector Interface Body Style Medium neck

Dimensions

Height 255 mm | 10.039 in

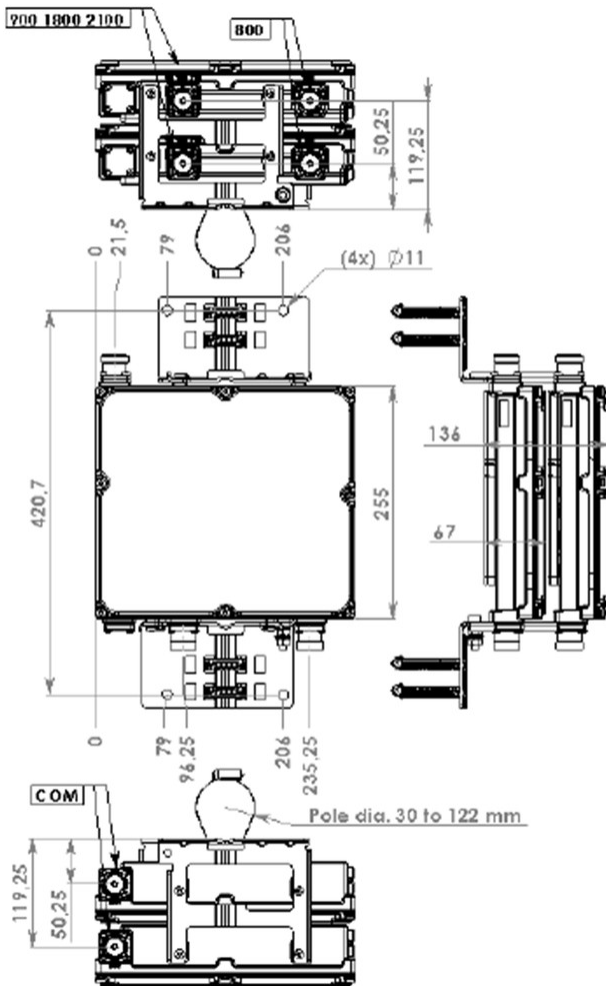
Width 285 mm | 11.22 in

Depth 136 mm | 5.354 in

Mounting Pipe Diameter Range 42.6–122 mm

E11F01P66

Outline Drawing



Electrical Specifications

| | |
|--------------------------------|---|
| Impedance | 50 ohm |
| License Band, Band Pass | CEL 900 DCS 1800 EDD 800 IMT 2100 |

Electrical Specifications, Common Port

| | |
|-----------------------------|-------|
| Composite Power, RMS | 340 W |
|-----------------------------|-------|

Electrical Specifications, dc Power/Alarm

| | |
|--|--------------------------------|
| dc/AISG Pass-through, combiner | Branch 1 Branch 2 Branch 3 |
| dc/AISG Pass-through, demultiplexer | Branch 1 Branch 2 Branch 3 |
| Lightning Surge Current | 5 kA |

E11F01P66

Lightning Surge Current Waveform

8/20 waveform

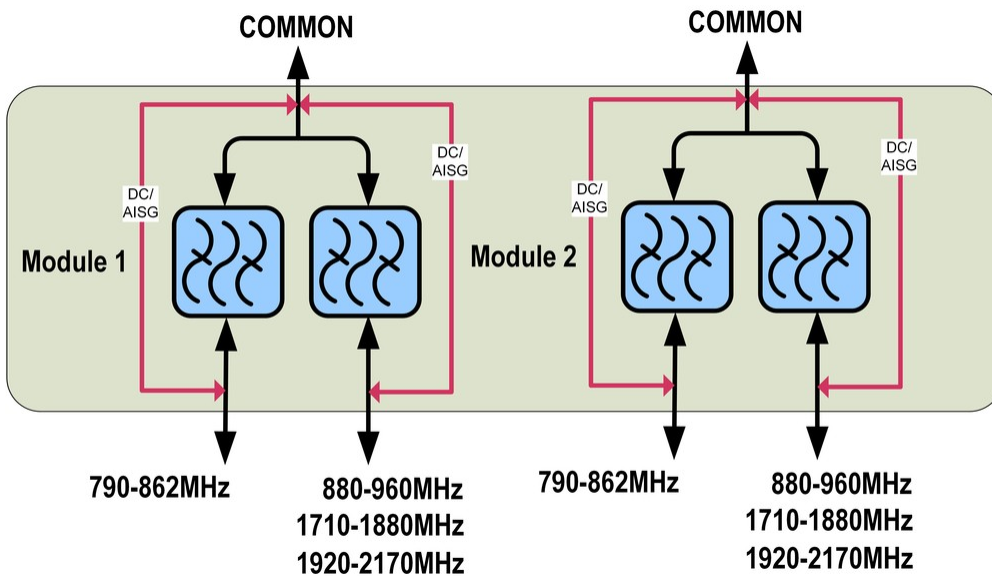
Electrical Specifications

| | | |
|-------------------------|--------------------|--|
| Sub-module | 1 2 | 1 2 |
| Branch | 1 | 2 |
| Port Designation | 800 | 900 1800 2100 |
| License Band | EDD 800, Band Pass | CEL 900, Band Pass DCS 1800, Band Pass IMT 2100, Band Pass |

Electrical Specifications, Band Pass

| | | |
|------------------------------------|----------------------|--|
| Frequency Range, MHz | 790-862 | 880-960 1710-1880 1920-2170 |
| Insertion Loss, maximum, dB | 0.4 | 0.4 |
| Return Loss, minimum, dB | 21 | 21 |
| Isolation, minimum, dB | 50 | 50 |
| 3rd Order PIM, maximum, dBc | -160 | -160 |
| 3rd Order PIM Test Method | Two +43 dBm carriers | Two +43 dBm carriers |

Block Diagram



Environmental Specifications

E11F01P66

| | |
|---------------------------------------|--------------------------------------|
| Operating Temperature | -40 °C to +60 °C (-40 °F to +140 °F) |
| Relative Humidity | Up to 100% |
| Corrosion Test Method | IEC 60068-2-11, 30 days |
| Ingress Protection Test Method | IEC 60529:2001, IP68 |

Packaging and Weights

| | |
|--------------------|-------------------|
| Included | Mounting hardware |
| Volume | 9.8 L |
| Weight, net | 13 kg 28.66 lb |

Regulatory Compliance/Certifications

| Agency | Classification |
|---------------|--|
| ISO 9001:2015 | Designed, manufactured and/or distributed under this quality management system |

