

E11F01P45



Diplexer, LTE 800/GSM 900 AISG compatible, dc pass LTE 800 port

OBSOLETE

This product was discontinued on: July 1, 2022

Replaced By:

E14F05P02

Single Diplexer, 700-800//900 MHz, dc pass on low ports, with 4.3-10 connectors

Product Classification

Product Type Diplexer

General Specifications

Product Family CBC89

Color Gray

Common Port Label Port 3

Modularity 1-Single

Mounting Pole | Wall

Mounting Pipe Hardware Band clamps (2)

RF Connector Interface 7-16 DIN Female

RF Connector Interface Body Style Long neck

Dimensions

Height 175 mm | 6.89 in

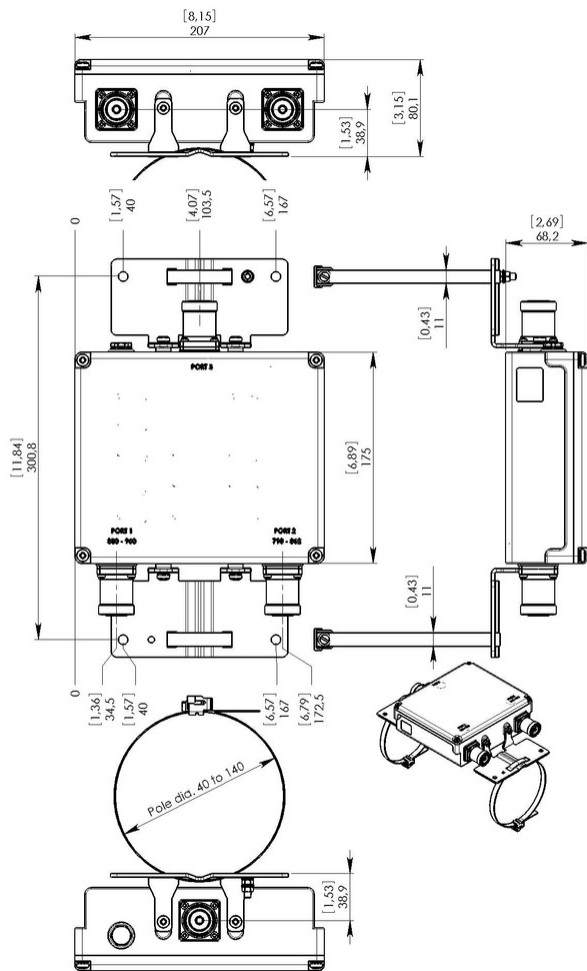
Width 207 mm | 8.15 in

Depth 68.2 mm | 2.685 in

Mounting Pipe Diameter Range 40–140 mm

E11F01P45

Outline Drawing



Electrical Specifications

Impedance	50 ohm
License Band, Band Pass	CEL 900 EDD 800

Electrical Specifications, dc Power/Alarm

dc/AISG Pass-through, combiner	Branch 2
dc/AISG Pass-through, demultiplexer	Branch 2
Lightning Surge Current	3 kA
Lightning Surge Current Waveform	10/350 waveform

E11F01P45

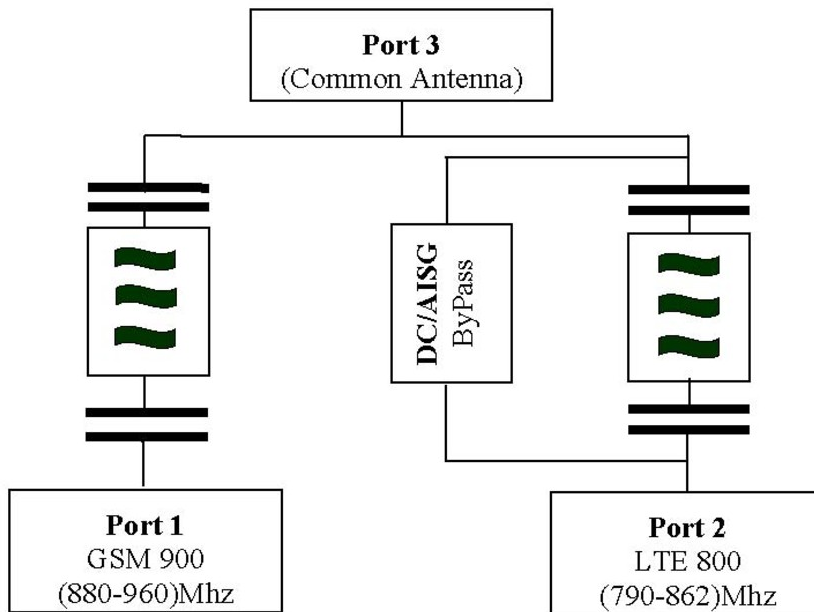
Electrical Specifications

Sub-module	1	1
Branch	1	2
Port Designation	PORT 2 790-862	PORT 1 880-960
License Band	EDD 800, Band Pass	CEL 900, Band Pass

Electrical Specifications, Band Pass

Frequency Range, MHz	790–862	880–960
Insertion Loss, typical, dB	0.35	0.35
Return Loss, typical, dB	20	20
Isolation, minimum, dB	50	50
Input Power, RMS, maximum, W	200	200
3rd Order PIM, typical, dBc	-155	-155
3rd Order PIM Test Method	Two +43 dBm carriers	Two +43 dBm carriers

Block Diagram



Environmental Specifications

Operating Temperature	-40 °C to +65 °C (-40 °F to +149 °F)
Corrosion Test Method	IEC 60068-2-11, 30 days

E11F01P45

Ingress Protection Test Method IEC 60529:2001, IP67

Packaging and Weights

Included Mounting hardware

Weight, net 3.7 kg | 8.157 lb

Regulatory Compliance/Certifications

Agency

ISO 9001:2015

Classification

Designed, manufactured and/or distributed under this quality management system

