

E11F01P17



Diplexer, DCS 1800/UMTS/WiMAX/LTE

This product will be discontinued on: December 30, 2024

Product Classification

Product Type Diplexer

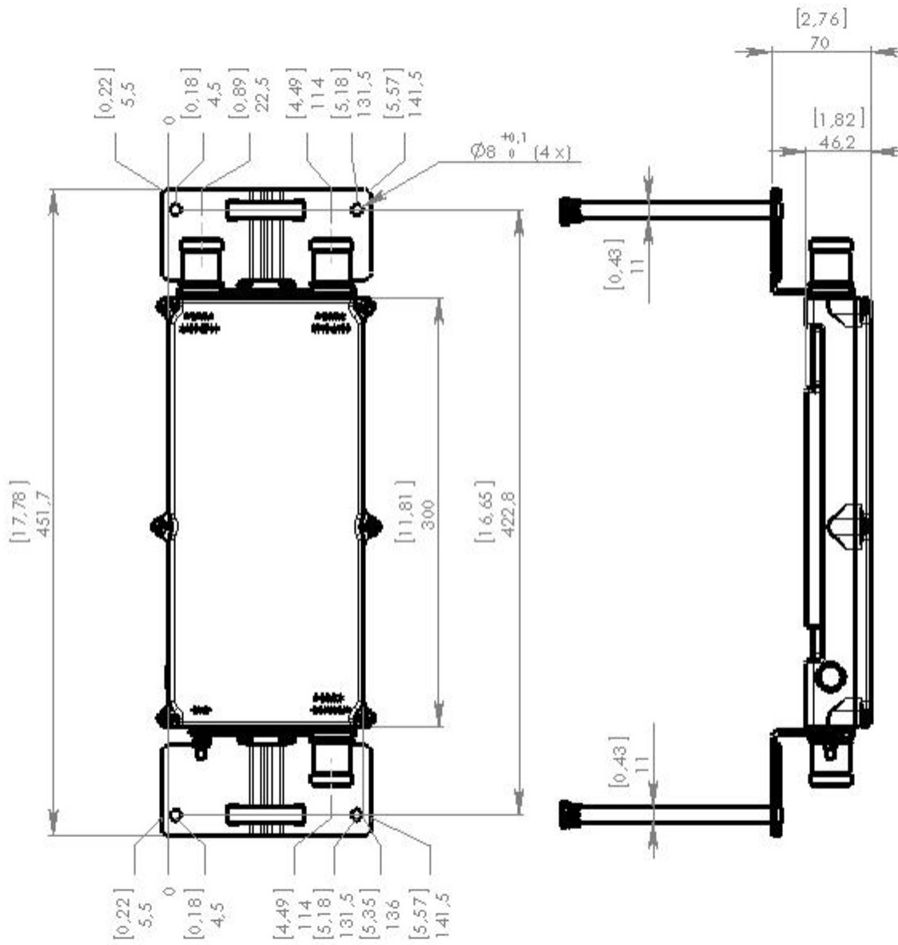
General Specifications

Product Family CBC1726old
Color Gray
Common Port Label PORT 3 COMMON
Modularity 1-Single
Mounting Pole | Wall
Mounting Pipe Hardware Band clamps (2)
RF Connector Interface 7-16 DIN Female
RF Connector Interface Body Style Long neck

Dimensions

Height 300 mm | 11.811 in
Width 136 mm | 5.354 in
Depth 46.2 mm | 1.819 in
Ground Screw Diameter 6 mm | 0.236 in
Mounting Pipe Diameter Range 40–160 mm

Outline Drawing



Electrical Specifications

Impedance	50 ohm
License Band, Band Pass	AWS 1700 DCS 1800 IMT 2100 IMT 2600 PCS 1900 TDD 2600

Electrical Specifications, dc Power/Alarm

dc/AISG Pass-through, combiner	Branch 1 Branch 2
dc/AISG Pass-through, demultiplexer	Branch 1 Branch 2
Lightning Surge Current	3 kA
Lightning Surge Current Waveform	10/350 waveform

Electrical Specifications

Sub-module	1	1
Branch	1	2

E11F01P17

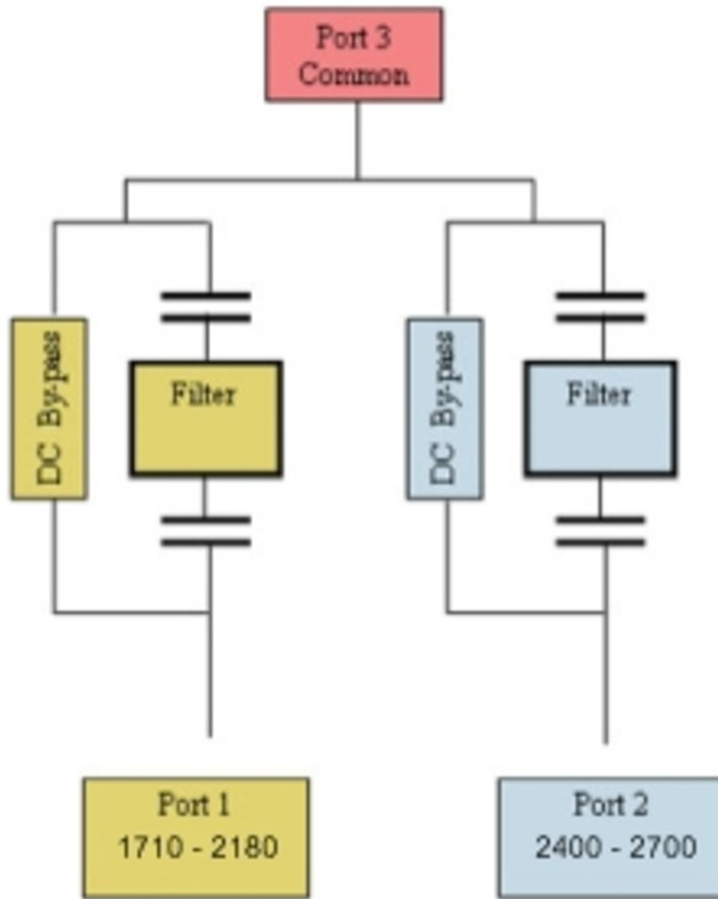
Port Designation	PORT 2 1710-2180	PORT 1 2400-2700
License Band	AWS 1700, Band Pass DCS 1800, Band Pass IMT 2100, Band Pass PCS 1900, Band Pass	IMT 2600, Band Pass TDD 2600, Band Pass

Electrical Specifications, Band Pass

Frequency Range, MHz	1710–2180	2400–2700
Insertion Loss, typical, dB	0.25	0.3
Return Loss, minimum, dB	19	19
Isolation, minimum, dB	50	50
3rd Order PIM, typical, dBc	-160	-160
3rd Order PIM Test Method	Two +43 dBm carriers	Two +43 dBm carriers

E11F01P17

Block Diagram



Environmental Specifications

Operating Temperature	-40 °C to +60 °C (-40 °F to +140 °F)
Relative Humidity	Up to 100%
Corrosion Test Method	IEC 60068-2-11, 30 days
Ingress Protection Test Method	IEC 60529:2001, IP67

Packaging and Weights

Included	Mounting hardware
Volume	1.9 L
Weight, net	4.3 kg 9.48 lb

E11F01P17
