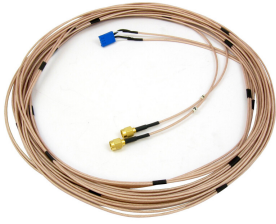


# C61L01P42

---



Power Cable Assembly, TMA, dual SMA male to receive multicoupler, 8 m

## Product Classification

**Product Type** Power cable assembly

## General Specifications

**Application** Receive multicoupler

**Conductor Type** RG178

**Conductors, quantity** 2

**Connector Interface** 4-pin single row header Female | SMA Male

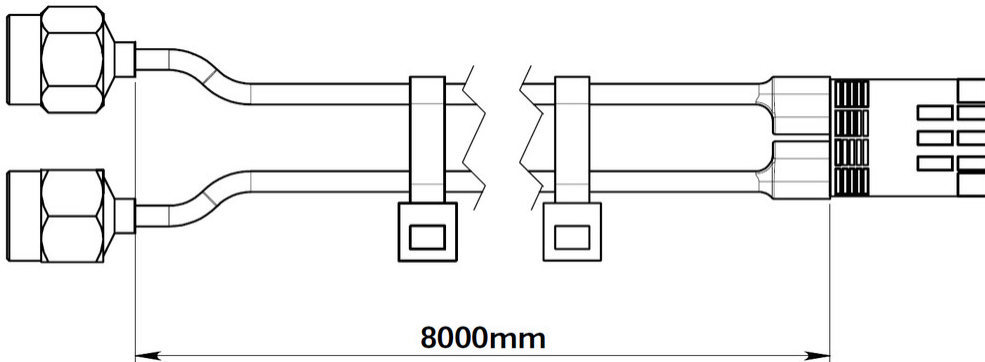
## Dimensions

**Length** 8000 mm | 314.961 in

# C61L01P42

---

## Outline Drawing



## Material Specifications

**Material Type** FEP