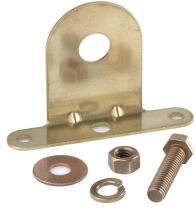


243951



Mounting/Grounding Bracket

Product Classification

Product Type	Surge arrester accessory
Product Brand	HELIAX®
Ordering Note	ANDREW® non-standard product

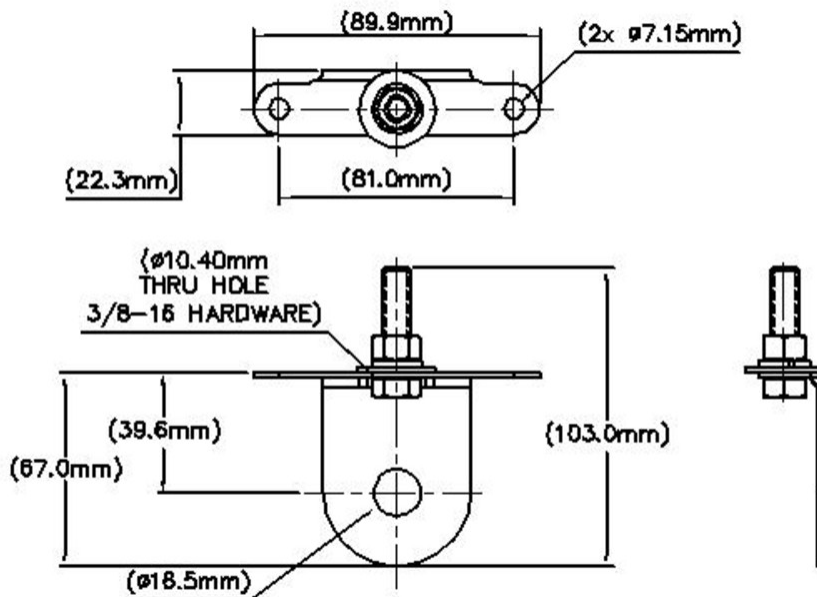
General Specifications

Interface	N Female Bulkhead
------------------	-------------------

Dimensions

Height	67 mm 2.638 in
Width	22.3 mm 0.878 in
Length	89.9 mm 3.539 in

Outline Drawing



243951

Packaging and Weights

Packaging quantity 1
Weight, net 110 g | 0.243 lb

Regulatory Compliance/Certifications

Agency	Classification
CHINA-ROHS	Below maximum concentration value
ISO 9001:2015	Designed, manufactured and/or distributed under this quality management system
REACH-SVHC	Compliant as per SVHC revision on www.andrew.com/ProductCompliance
ROHS	Compliant
UK-ROHS	Compliant

