



FIST® MSC (Modular Splice Closure), Empty housing, size F, without test valve

- Single ended o-ring sealed dome closure for high capacity splicing in a versatile and modular build
- Transient free and flexible FIST fiber management for optimized fiber routing and cable storage
- Fully removable base for easy cable access during installation and provisioning
- Compatible with high end environmental specifications for aerial, pedestal, underground or direct buried applications
- Superior gel sealing technology incorporated in interchangeable and fully wrap around gel segments
- Toolless and intuitive design in cable seals and cable attachments
- Compatible with a wide range of fiber cable sizes and types

Product Classification

| | |
|------------------------------|--|
| Regional Availability | Australia/New Zealand EMEA Latin America |
| Product Type | Single-ended, round fiber closure |
| Product Brand | FIST® |
| Product Series | FIST-MSC |

General Specifications

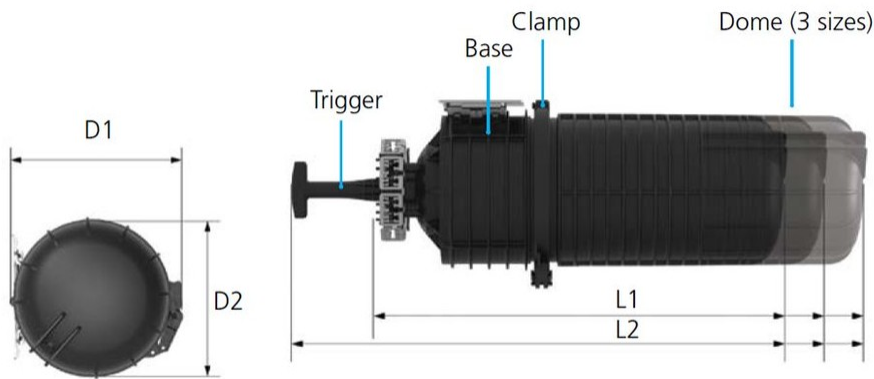
| | |
|--|--------------------------------|
| Cable Ports Quantity, total | 8 multi-out ports (64 cables) |
| Cable Sealing Type | Gel kit (optional) |
| Closure Sealing Type | Dome-to-base clamp with O-ring |
| Closure Style | Single-ended |
| Color | Black |
| Flash Test Valve | None |
| Mounting | Pole Strand Wall |
| Network Area Type | Distribution Feeder |
| Splice Tray Included, quantity | 0 |
| Splice Tray Type Included | No trays |
| Splicing Capacity, Single Fusion, maximum | 1440 |
| Splicing Type, Supported | Mass fusion Single fusion |

Dimensions

760243404 | FIST-MS-C-F8-N

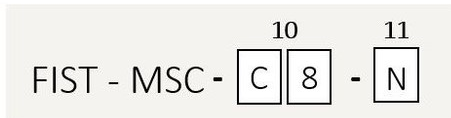
| | |
|-------------------------------------|---------------------|
| Length | 870 mm 34.252 in |
| Length, with trigger | 1020 mm 40.158 in |
| Diameter | 256 mm 10.079 in |
| Diameter, with clamp | 291 mm 11.457 in |
| Main Cable Diameter, maximum | 27 mm 1.063 in |

Dimension Drawing



L2 (total length) L1 (length excl. trigger) D1 (diameter with clamp) D2 (diameter without clamp)

Ordering Tree



Closure Size

| | | |
|----|----|-----------------------------------|
| 10 | C8 | C-size closure with 20 UMS height |
| | D8 | D-size closure with 36 UMS height |
| | E8 | E-size closure with 52 UMS height |
| | F8 | F-size closure with 60 UMS height |

Closure Features

| | | |
|----|---|---------------------------|
| 11 | N | No trays, no test valve |
| | V | No trays, with test valve |

760243404 | FIST-MS-C-F8-N

Material Specifications

Material Type Impact-resistant polymer

Environmental Specifications

Operating Temperature -40 °C to +65 °C (-40 °F to +149 °F)

Environmental Space Above ground | Below ground | Buried | Manhole

Qualification Standards IEC 60529, IP68 + 5 m waterhead | IEC 61753-1 Ed2 (2018)

Water Resistance Flash test valve at 5 psi (40 kPa)

Packaging and Weights

Included Dome with seal and clamp | Innerframe | Removable base

Packaging quantity 1

Packaging Type Box | Carton

Weight, net 10.2 kg | 22.487 lb

Regulatory Compliance/Certifications

| Agency | Classification |
|---------------|--|
| CHINA-ROHS | Above maximum concentration value |
| ISO 9001:2015 | Designed, manufactured and/or distributed under this quality management system |
| REACH-SVHC | Compliant as per SVHC revision on www.commscope.com/ProductCompliance |
| ROHS | Compliant/Exempted |
| UK-ROHS | Compliant/Exempted |

