

OTE2 Series, Optical Terminal Enclosure, 8-port full-size connector, no splitter, gray, wall mount

- Optical Terminal Enclosures incorporate hardened connector technology that is designed to withstand the rugged outside plant environment
- Offers a unique solution for splicing, termination and pass-through cable applications in optical drop cable deployments
- Hardened adapters are factory-terminated and environmentally sealed to ensure rapid plug-and-play drop cable installations
- The universal cable termination system guarantees easy, fast and reliable cable fixation and manipulations

## Product Classification

### Regional Availability

Asia | Australia/New Zealand | EMEA | Latin America

### Product Type

Access terminal, without splitter/tap

### Product Series

OTE

## General Specifications

### Application

Accepts fiber drop cables, 7 mm diameter | Accepts fiber feeder cables, 10-16 mm diameter | For holding up to 5 24-way splice trays | Offers up to 16 hardened adapter ports | Offers up to 4x4 standard cable ports

### Cable Type

No cable (stubless)

### Cable, quantity

0

### Distribution Type

8 ports

### Enclosure Color

Gray

### Mounting

Pole | Wall

### Port Type

Hardened full-size SC/APC

### Port, quantity

8

### Splice Tray Included, quantity

4

### Splice Tray Type Included

24-way, heat shrink

### Splitter, quantity

0

### Stub Type

No tail

## Dimensions

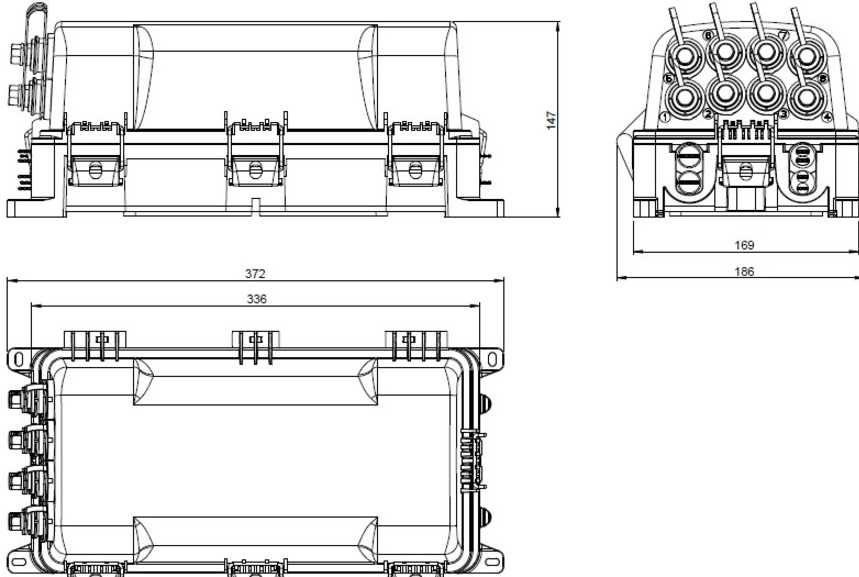
### Height

147 mm | 5.787 in

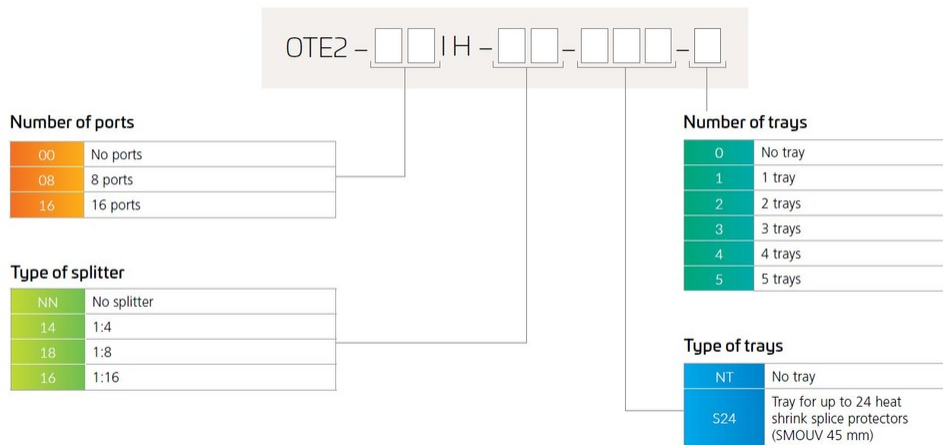
# 760237861 | OTE2-08IH-NN-S24-4

<b>Width</b>	372 mm   14.646 in
<b>Depth</b>	186 mm   7.323 in
<b>Cable Length, stub</b>	0 ft (0 m)

## Dimension Drawing



## Ordering Tree



## Material Specifications

**Enclosure Material Type** Glass filled polypropylene (GF-PP)

## Optical Specifications

**Operating Wavelength Range** 1260 – 1635 nm

## Environmental Specifications

**Operating Temperature** -40 °C to +65 °C (-40 °F to +149 °F)

**Relative Humidity** 5%–100%, condensing

**Environmental Space** Above ground | Below ground | Buried

**Qualification Standards** IEC 60529, IP65

**UV Resistance** UV stabilized

## Packaging and Weights

**Included** Cable fixation kit (5) | Cable seal kit (4) | Enclosure (1) | Splice cassette (4) | Wall fixation screws (4)

**Packaging quantity** 1

**Packaging Type** Box | Carton

## Regulatory Compliance/Certifications

Agency	Classification
CHINA-ROHS	Above maximum concentration value
ISO 9001:2015	Designed, manufactured and/or distributed under this quality management system
ROHS	Compliant/Exempted
UK-ROHS	Compliant/Exempted

