

FL1-G47NNNNN-0000H



FL1000 Fiber Wall Box, 2-door, singlemode SC/UPC, 6-ports, adapters only, 1 key lock

- Ideal for small to medium fiber counts within communication rooms or closets at customer sites
- Provides demarcation access for the telecom carrier and the end-user by way of separate compartments
- Guarantees mechanical protection and fiber management for indoor and outdoor cable
- Fully customizable for patch-patch, splice-patch or for the storage of un-terminated (dark) fibers

Product Classification

Regional Availability	North America
Product Type	Fiber wall box
Product Series	FL1000

General Specifications

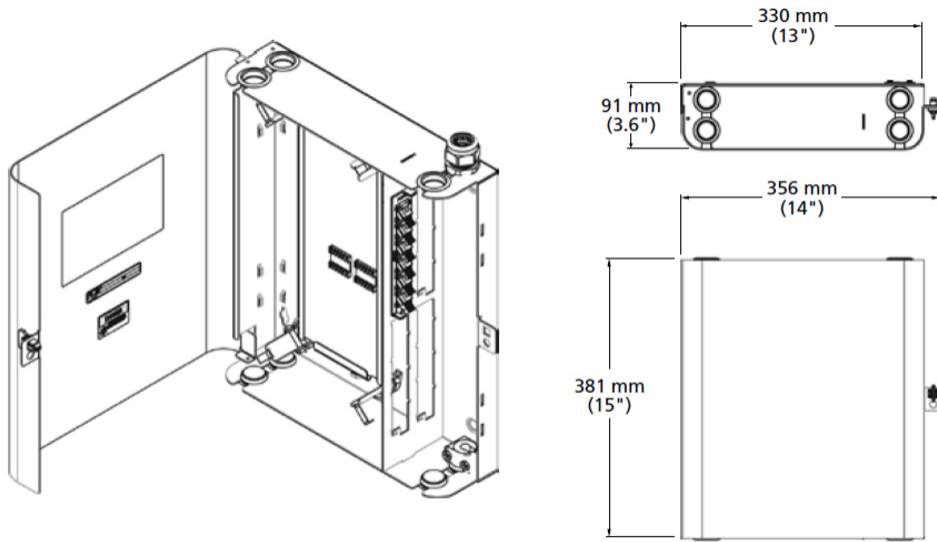
Application	Patching Splicing
Adapter Packs Included, quantity	1
Adapters, quantity	6
Cable Entry Location	Bottom left Bottom right Top left Top right
Color	Putty white
Door, quantity	2
Front Door Type	Single hinged
Growth Configuration	Partially loaded
Interface	SC/UPC
Lock Type	Key lock
Mounting	Wall
Total Ports, quantity	6

Dimensions

Height	433 mm 17.047 in
Width	511 mm 20.118 in
Depth	156.97 mm 6.18 in

Outline Drawing

FL1-G47NNNNN-0000H



Material Specifications

Finish	Powder coated
Material Type	Steel

Optical Specifications

Fiber Mode	Singlemode
-------------------	------------

Environmental Specifications

Environmental Space	Indoor
Qualification Standards	NEMA type 12

Packaging and Weights

Packaging quantity	1
Packaging Type	Bag Carton

Regulatory Compliance/Certifications

Agency	Classification
CHINA-ROHS	Below maximum concentration value
REACH-SVHC	Compliant as per SVHC revision on www.commscope.com/ProductCompliance
ROHS	Compliant
UK-ROHS	Compliant

FL1-G47NNNNN-0000H

