

FL1-H



FL1000 Fiber Wall Box, 2-door, unloaded, for holding 4 adapter packs and splice trays

- Ideal for small to medium fiber counts within communication rooms or closets at customer sites
- Provides demarcation access for the telecom carrier and the end-user by way of separate compartments
- Guarantees mechanical protection and fiber management for indoor and outdoor cable
- Fully customizable for patch-patch, splice-patch or for the storage of un-terminated (dark) fibers

Product Classification

Regional Availability	North America
Product Type	Fiber wall box
Product Series	FL1000

General Specifications

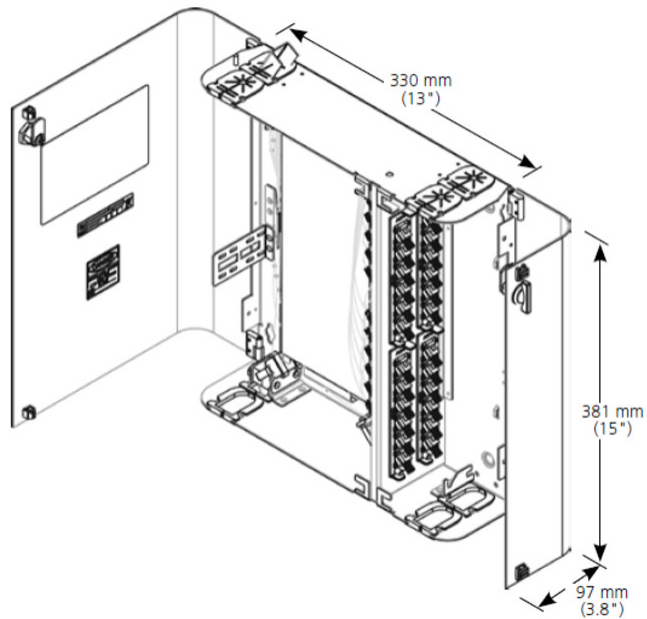
Application	Patching Splicing
Cable Entry Location	Bottom left Bottom right Top left Top right
Color	Putty white
Door, quantity	2
Front Door Type	Single hinged
Growth Configuration	Unloaded
Interface	Unloaded
Mounting	Wall

Dimensions

Height	590 mm 23.228 in
Width	551 mm 21.693 in
Depth	156.97 mm 6.18 in

Outline Drawing

FL1-H



Material Specifications

Finish	Powder coated
Material Type	Steel

Environmental Specifications

Environmental Space	Indoor
Qualification Standards	NEMA type 12

Packaging and Weights

Packaging quantity	1
Packaging Type	Bag Carton

Regulatory Compliance/Certifications

Agency	Classification
CHINA-ROHS	Below maximum concentration value
REACH-SVHC	Compliant as per SVHC revision on www.commscope.com/ProductCompliance
ROHS	Compliant
UK-ROHS	Compliant

FL1-H

