

# FL1-H9777NN9-1000C



FL1000 Fiber Wall Box, 2-door, singlemode SC/UPC, 24-ports, with pigtailed and splice tray, 1 cable clamp, 2 key locks

- Ideal for small to medium fiber counts within communication rooms or closets at customer sites
- Provides demarcation access for the telecom carrier and the end-user by way of separate compartments
- Guarantees mechanical protection and fiber management for indoor and outdoor cable
- Fully customizable for patch-patch, splice-patch or for the storage of un-terminated (dark) fibers

## OBSOLETE

This product was discontinued on: November 13, 2019

## Product Classification

<b>Regional Availability</b>	North America
<b>Product Type</b>	Fiber wall box
<b>Product Series</b>	FL1000

## General Specifications

<b>Functionality</b>	Patching   Splicing
<b>Application</b>	Patching   Splicing
<b>Adapter Packs Included, quantity</b>	4
<b>Adapters, quantity</b>	24
<b>Cable Clamps, quantity</b>	1
<b>Cable Entry Location</b>	Bottom left   Bottom right   Top left   Top right
<b>Cable Type</b>	Pigtails - Stranded
<b>Color</b>	Putty white
<b>Door, quantity</b>	2
<b>Front Door Type</b>	Single hinged
<b>Growth Configuration</b>	Fully loaded
<b>Interface</b>	SC/UPC
<b>Lock Type</b>	Key lock, type A   Key lock, type B
<b>Mounting</b>	Wall
<b>Splicing Type</b>	Mass fusion, ribbon

# FL1-H9777NN9-1000C

**Total Fibers, quantity** 24

**Total Ports, quantity** 24

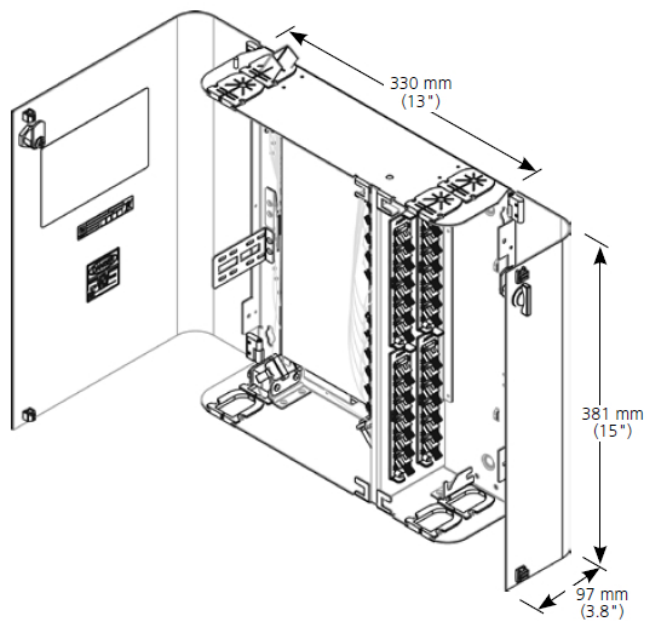
## Dimensions

**Height** 590 mm | 23.228 in

**Width** 551 mm | 21.693 in

**Depth** 156.97 mm | 6.18 in

## Outline Drawing



## Material Specifications

**Finish** Powder coated

**Material Type** Steel

## Optical Specifications

**Fiber Mode** Singlemode

## Environmental Specifications

**Environmental Space** Indoor

**Qualification Standards** NEMA type 12

# FL1-H9777NN9-1000C

---

## Packaging and Weights

<b>Packaging quantity</b>	1
<b>Packaging Type</b>	Bag   Carton

## Regulatory Compliance/Certifications

<b>Agency</b>	<b>Classification</b>
CHINA-ROHS	Above maximum concentration value
REACH-SVHC	Compliant as per SVHC revision on <a href="http://www.commscope.com/ProductCompliance">www.commscope.com/ProductCompliance</a>
ROHS	Compliant/Exempted
UK-ROHS	Compliant/Exempted

