

# FL2-6P6JC603R

---

FL2000 Fiber Optic Adapter-pack, with 6 multimode LC/UPC duplex adapters, with pigtails, 3 meters

## Product Classification

|                              |                                  |
|------------------------------|----------------------------------|
| <b>Regional Availability</b> | North America                    |
| <b>Product Type</b>          | Fiber adapter pack with pigtails |
| <b>Product Series</b>        | FL2000                           |

## General Specifications

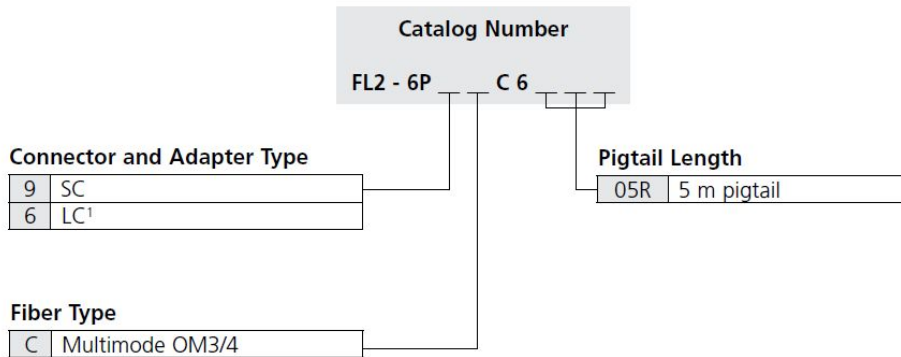
|                                     |   |
|-------------------------------------|---|
| <b>Application</b>                  | For use with FL2 panels                   |
| <b>Adapter Color</b>                | Aqua                                      |
| <b>Adapters, quantity, front</b>    | 6   |
| <b>Body Style</b>                   | Duplex   Straight orientation             |
| <b>Color, front</b>                 | Putty white                               |
| <b>Interface</b>                    | LC/UPC                                    |
| <b>Pigtail Assembly Type</b>        | Color-coded, 900 $\mu$ m   Pigtail bundle |
| <b>Pigtails Included, quantity</b>  | 12  |
| <b>Total Fibers, quantity</b>       | 12  |
| <b>Total Ports, quantity, front</b> | 12  |

## Dimensions

|                       |                    |
|-----------------------|--------------------|
| <b>Height</b>         | 27.94 mm   1.1 in  |
| <b>Width</b>          | 149.86 mm   5.9 in |
| <b>Pigtail Length</b> | 3 m   9.843 ft     |

## Ordering Tree

# FL2-6P6JC603R



<sup>1</sup> LC 6paks are loaded with 12-fiber pigtails

## Optical Specifications

|                                |           |
|--------------------------------|-----------|
| <b>Fiber Mode</b>              | Multimode |
| <b>Fiber Type</b>              | OM3       |
| <b>Insertion Loss, maximum</b> | 0.3 dB    |
| <b>Return Loss, minimum</b>    | 20 dB     |

## Packaging and Weights

|                           |              |
|---------------------------|--------------|
| <b>Packaging quantity</b> | 1            |
| <b>Packaging Type</b>     | Bag   Carton |

## Regulatory Compliance/Certifications

| <b>Agency</b> | <b>Classification</b>   |
|---------------|---|
| CHINA-ROHS    | Below maximum concentration value   |
| REACH-SVHC    | Compliant as per SVHC revision on <a href="https://www.commscope.com/ProductCompliance">www.commscope.com/ProductCompliance</a> |
| ROHS          | Compliant   |
| UK-ROHS       | Compliant   |

