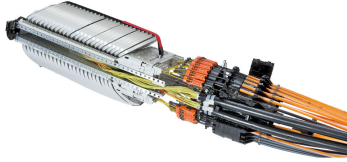


FIST® GCOG2 Fiber Optic Splice Closure, Gel Cable sealing, size DF, no pre-installed fiber trays, 24 ports



- Single-ended closure design where base and dome are sealed with a clamp and O-ring system
- Includes FIST management system for fiber organization and splicing
- Uncut fibers can be stored as single circuits in trays and/or as cable elements in storage space between profiles
- Gel block assembly consisting of Microtube termination/fixation part and pre-installed re-enterrable gel profile with double sealing action
- Sealing and termination of looped Feeder and 24 drop cables

Product Classification

Regional Availability	EMEA
Product Type	Single-ended, round fiber closure
Product Brand	FIST®
Product Series	FIST-GCOG2

General Specifications

Cable Entry Drop Port Style	Round
Cable Entry Main Port Style	Round
Cable Ports Quantity, total	1 oval port (2 cables) + 24 round ports
Cable Sealing Type	Compressed gel
Closure Sealing Type	Dome-to-base clamp with O-ring
Closure Style	Single-ended
Color	Black
Mounting	Pole Strand Wall
Network Area Type	Distribution
Splice Tray Included, quantity	0
Splicing Type, Supported	Single fusion

Dimensions

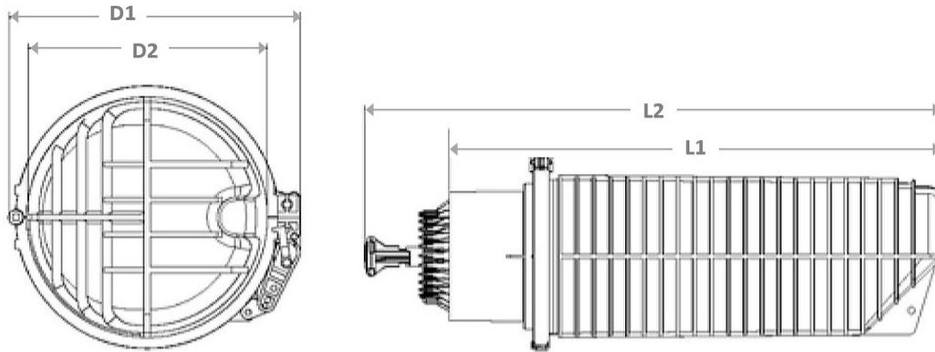
Length	845 mm 33.268 in
Length, with trigger	945 mm 37.205 in
Diameter	247 mm 9.724 in

CY2020-000 | FIST-GCOG2-DF24-NN

Diameter, with clamp 291 mm | 11.457 in

Main Cable Diameter, maximum 21 mm | 0.827 in

Dimension Drawing



Dimensions in mm

	Closure Type			
	DC24	DD24	DE24	DF24
L1	590	670	780	845
L2	690	770	880	945
D1	291	291	291	291
D2	247	247	247	247

Ordering Tree

FIST - GCOG2 - XX 24 - XX

Closure size

		Class
DC	590 mm long 2 x 20 units UMS	A
DD	670 mm long 2 x 36 units UMS	A
DE	780 mm long 2 x 52 units UMS	A
DF	845 mm long 2 x 60 units UMS	B

Ground feedthrough Flash test point

		Class
NN	No ground feedthrough No flash test value	A
NV	Pre-mounted flash test point in dome No ground feedthrough	B

Material Specifications

Material Type Impact-resistant polymer

Environmental Specifications

Environmental Space Below ground | Buried

CY2020-000 | FIST-GCOG2-DF24-NN

Qualification Standards IEC 61300, 2 m waterhead

Packaging and Weights

Packaging quantity 1
Packaging Type Box | Carton
Weight, net 5.5 kg | 12.125 lb

Regulatory Compliance/Certifications

Agency

CHINA-ROHS
ISO 9001:2015
REACH-SVHC
ROHS

Classification

Below maximum concentration value
Designed, manufactured and/or distributed under this quality management system
Compliant as per SVHC revision on www.commscope.com/ProductCompliance
Compliant

