

# TENIO

---



## TENIO™ Fiber Optic Splice Closures

CommScope's fiber optic splice closures are synonymous with excellence in sealing, fiber management, ease of use and design flexibility. Building on almost 30 years of innovation and industry leadership, TENIO closures enable 30-percent faster, future-proof network deployments in 30-percent less space.

TENIO closures feature modular building blocks and combine proven fiber management hardware with a new sealing system to simplify training and reduce inventory. The closure's 100-percent mechanical, tool-less and intuitive design facilitates lower-skilled network deployments. Full modularity of the closure platform supports a phased CAPEX network deployment scheme, reducing up-front CAPEX investment. CommScope's superior gel-sealing technology guarantees sealing for most commonly available cable types. Designed for use with various cable constructions (loose buffer tube and microsheath), the closures deploy in any environment (aerial, pedestal, handhole, manhole).

The TENIO fiber enclosure is a modular single-ended splice enclosure, offered in two sizes

### TENIO B6

can accommodate up to 12 fiber splice trays (type S12 or A12). Each tray houses 12 fiber splices, for a capacity of maximum 144 fiber splices per closure.

### TENIO C6H

can accommodate up to 12 fiber splice trays (type SLE). Each tray houses 24 fiber splices for a capacity of maximum 288 fiber splices per closure.

The cable diameter of the TENIO ranges from 2-16 mm (0.08-0.63"). Depending the required cable range, the enclosure can be composed of various combinations of dedicated cable seal segments. The TENIO can hold in total 6 seal segments. Each seal segment (9 variants in total) is adapted to a specific cable range. These gel seals are put under pressure after installation by engaging the seal mechanism. The seal mechanism exists of 2 latches to seal the dome on the base and a tightening system engaged with the trigger to seal the cables.

Key features for the TENIO closures:

- Superior sealing performance
- Tool-less and easy installation
- Flexibility and customization
- Cable construction independent
- Dedicated storage locations

## Product Classification

**Product Type** Single-ended, rectangular fiber closure

# TENIO

---

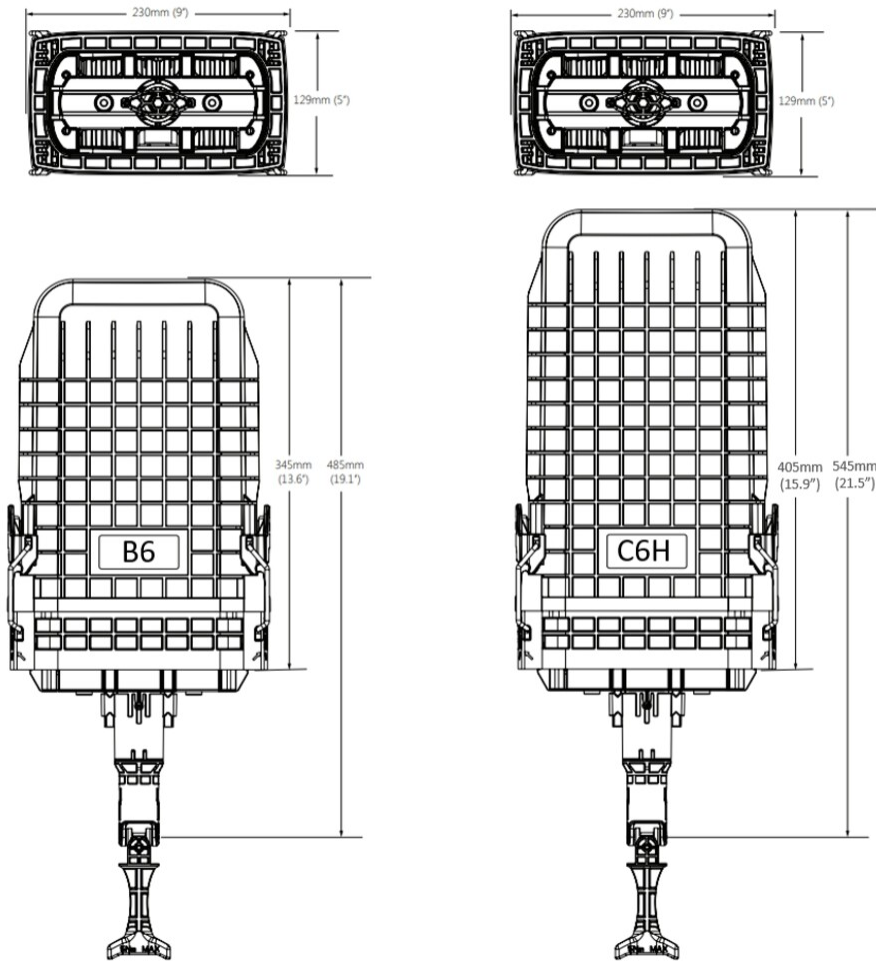
<b>Product Brand</b>	TENIO™
<b>Product Series</b>	TENIO

## General Specifications

<b>Cable Ports Quantity, total</b>	6 multi-out ports (30 cables)
<b>Cable Sealing Type</b>	Compressed gel
<b>Closure Sealing Type</b>	Side latch
<b>Closure Style</b>	Single-ended
<b>Color</b>	Black
<b>Mounting</b>	Wall
<b>Network Area Type</b>	Distribution   Drop
<b>Splicing Type, Supported</b>	Single fusion

## Dimension Drawing

# TENIO



## Ordering Tree

TENIO-<sup>1</sup>XX-<sup>2</sup>XXX-<sup>3</sup>XX-<sup>4</sup>X

### Closure size

1	B6	Small
	C6H	Large, high density

### Type of splice tray

2	NT	No tray
	S12	Tray for up to 12 heat shrink splice protectors (SMOUV 45 mm) for B6 size only
	A12	Tray for up to 12 ANT splice protectors for B6 size only
	SLE	Tray for up to 24 heat shrink splice protectors (SMOUV 45mm) for C6H size only

### Valve

4	N	No flash test valve
	V	With flash test valve

### Number of trays

3	0	No trays
	4, 8, 12	For B6 or C6H sizes

TENIO-B6 accommodates up to 12 trays; each tray houses 12 fiber splices for a capacity of 144 fibers.

TENIO-C6H accommodates up to 12 trays; each tray houses 24 fiber splices for a capacity of 288 fibers.

# TENIO

---

## Material Specifications

**Material Type** Impact-resistant polymer

## Environmental Specifications

**Environmental Space** Below ground | Buried

**Qualification Standards** IEC 61300, 2 m waterhead

## Regulatory Compliance/Certifications

<b>Agency</b>	<b>Classification</b>
ISO 9001:2015	Designed, manufactured and/or distributed under this quality management system

