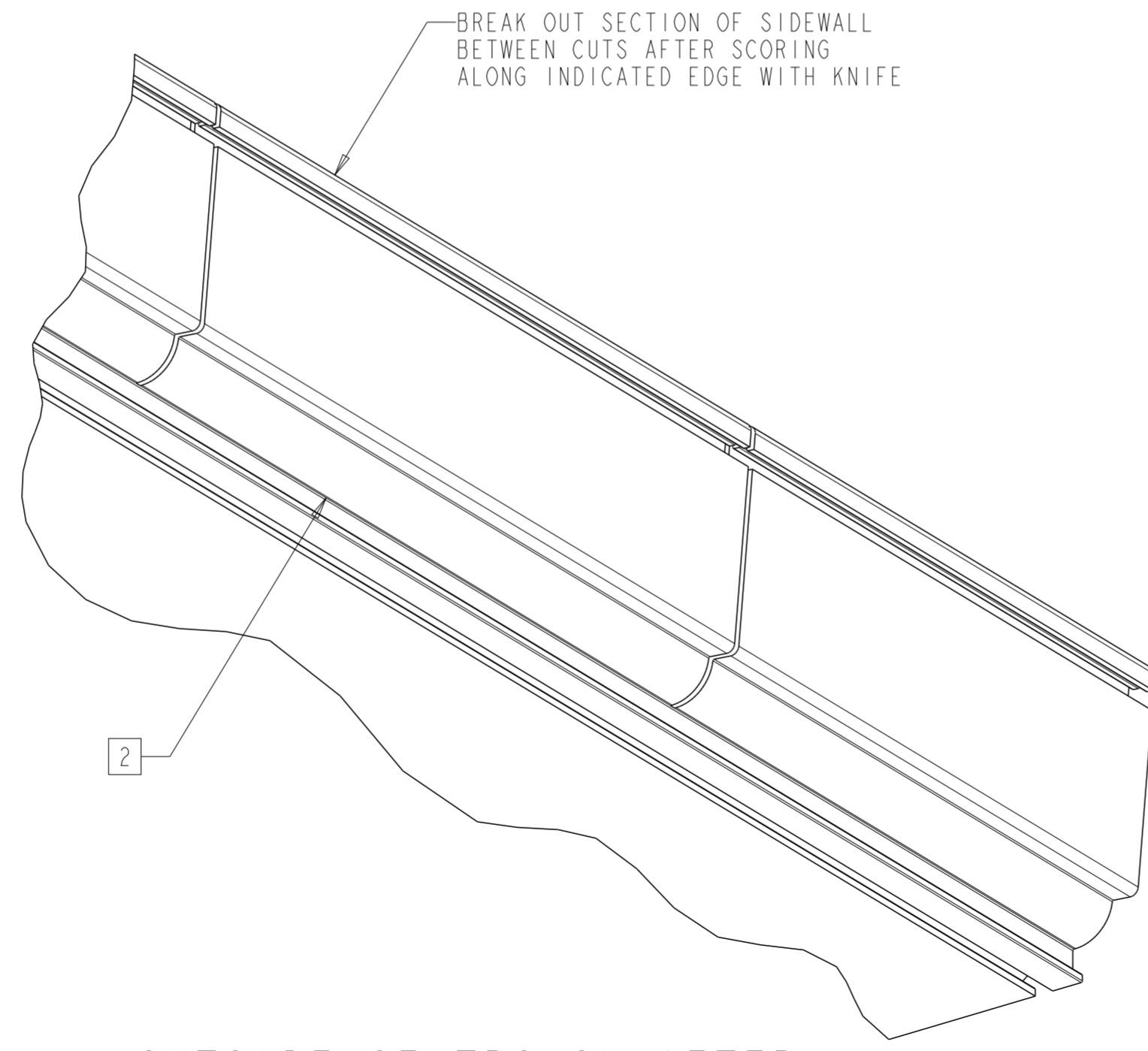
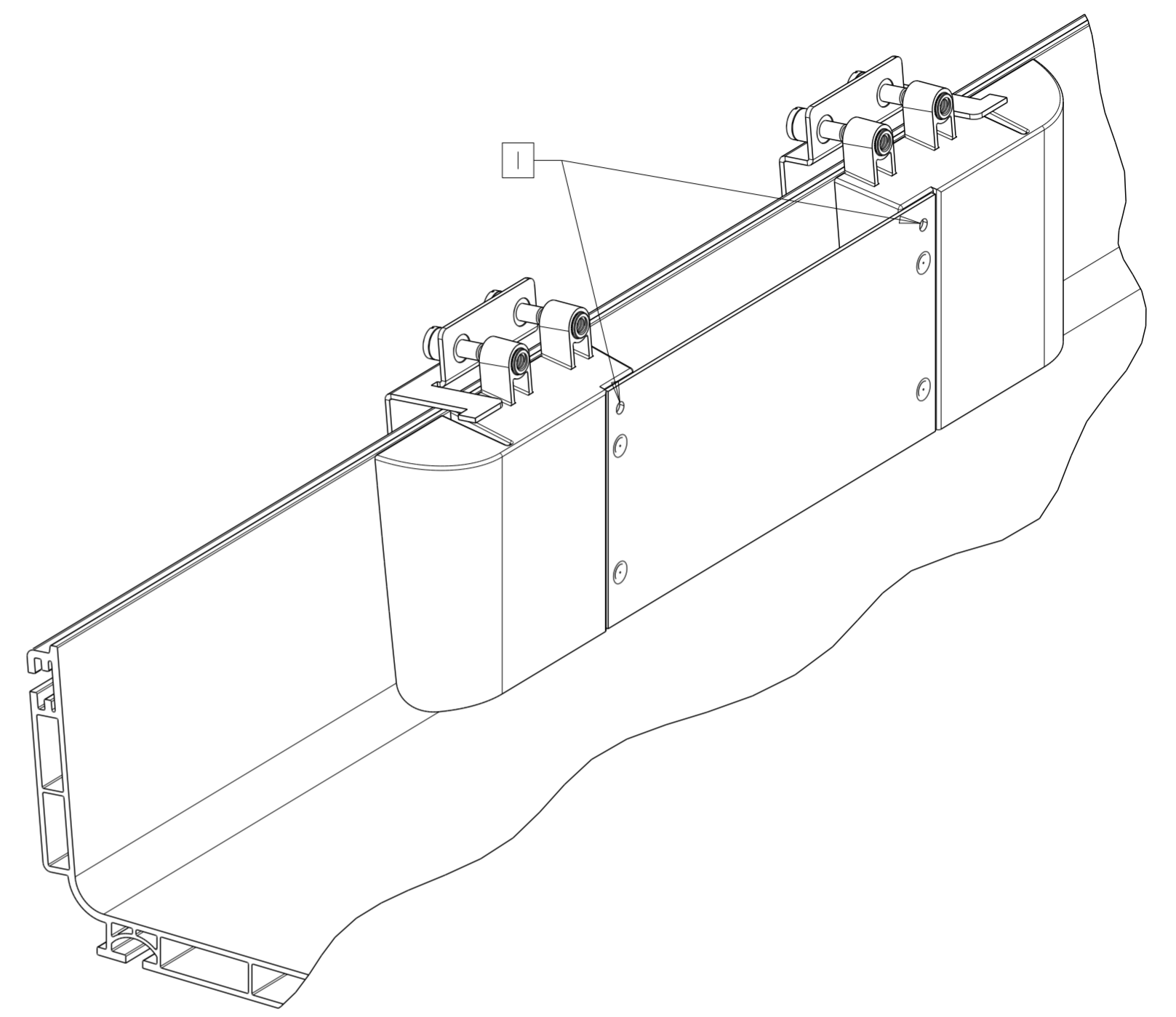
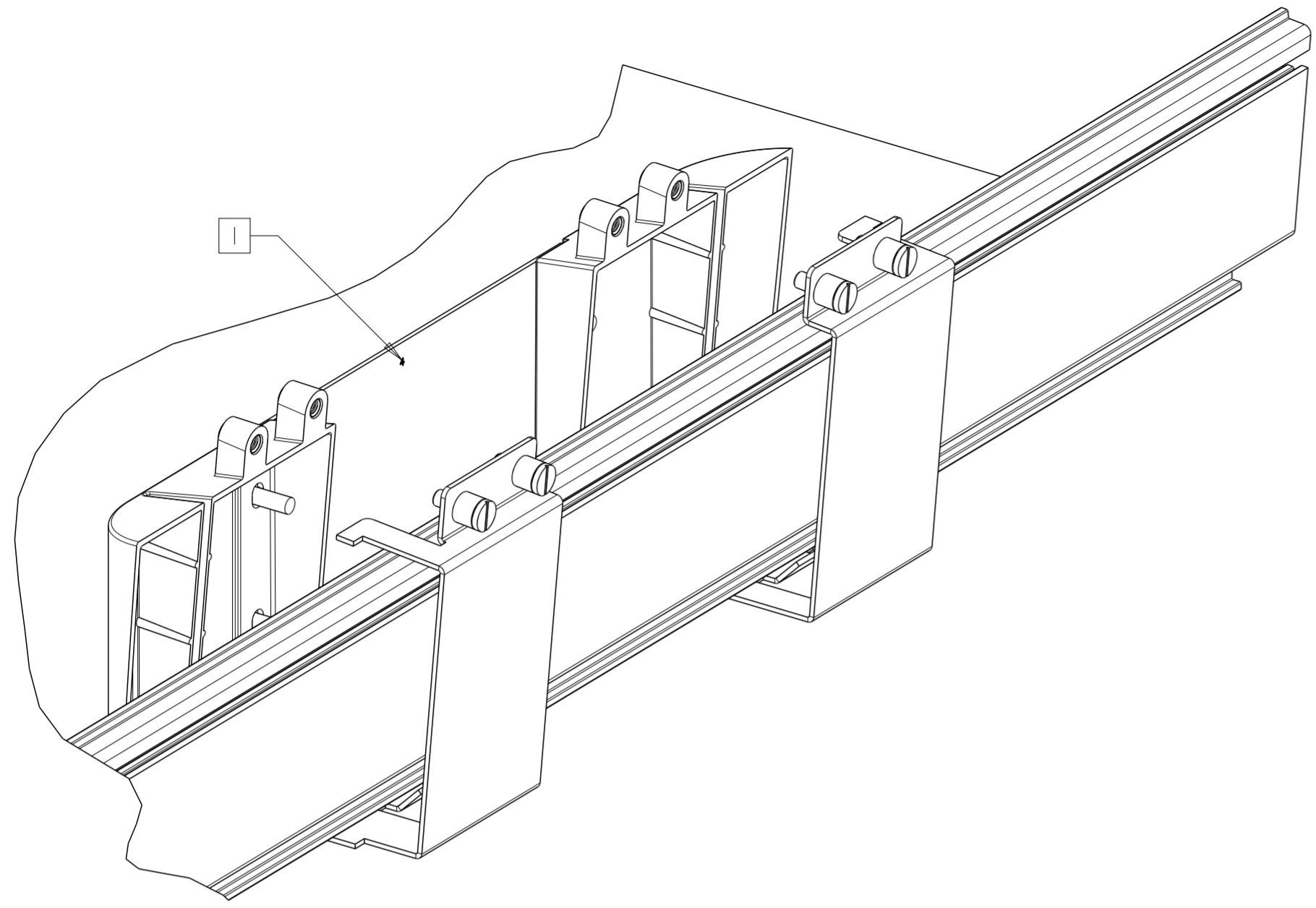


REVISIONS			
REV	CMO	DATE	APPROVED
F	40195075CMO	10-JUN-2024	RAT
G	40199945CMO	16-JUL-2024	RAT



BREAK OUT SECTION OF SIDEWALL BETWEEN CUTS AFTER SCORING ALONG INDICATED EDGE WITH KNIFE

OUTSIDE OF TROUGH AFTER CUTTING SIDEWALLS WITH SAW

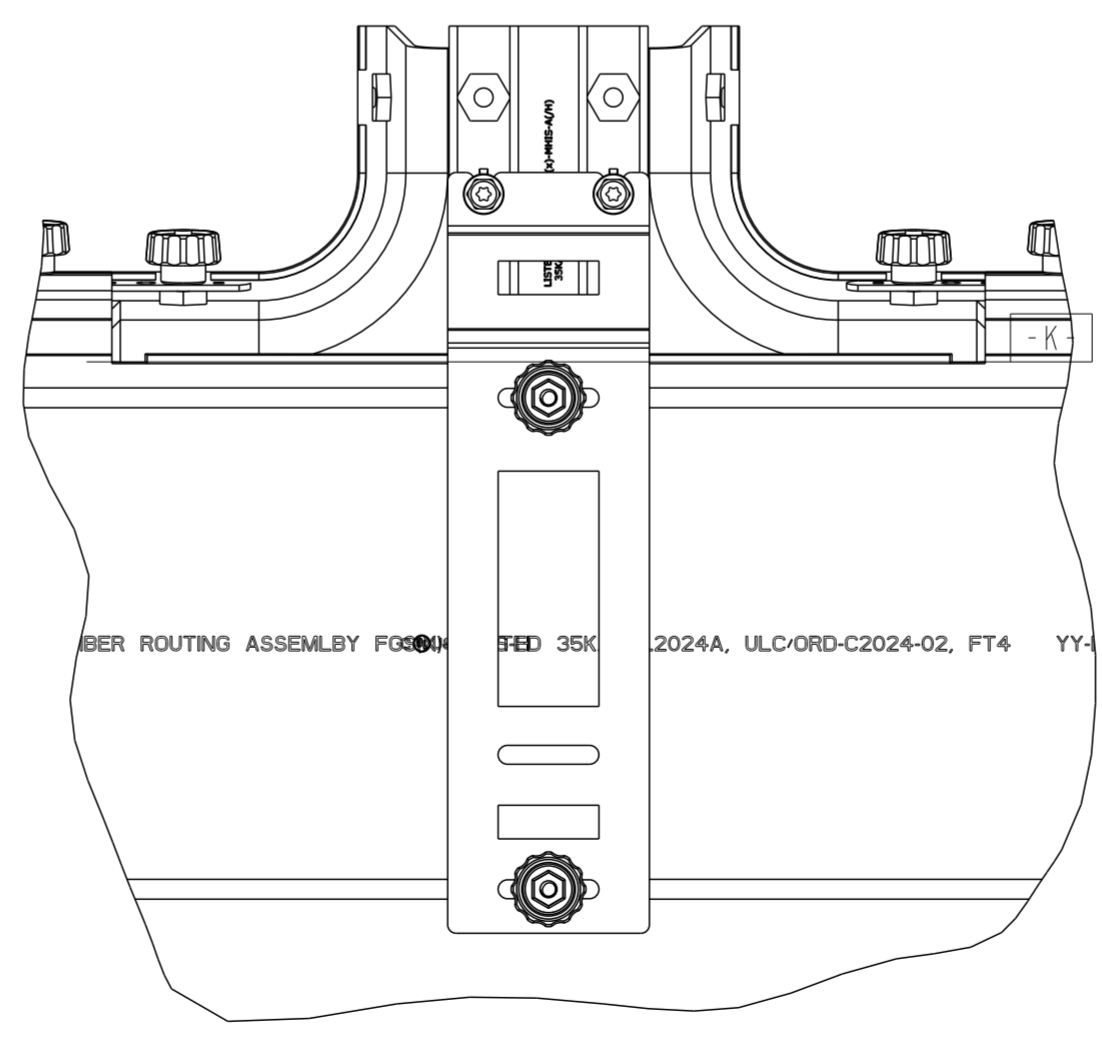
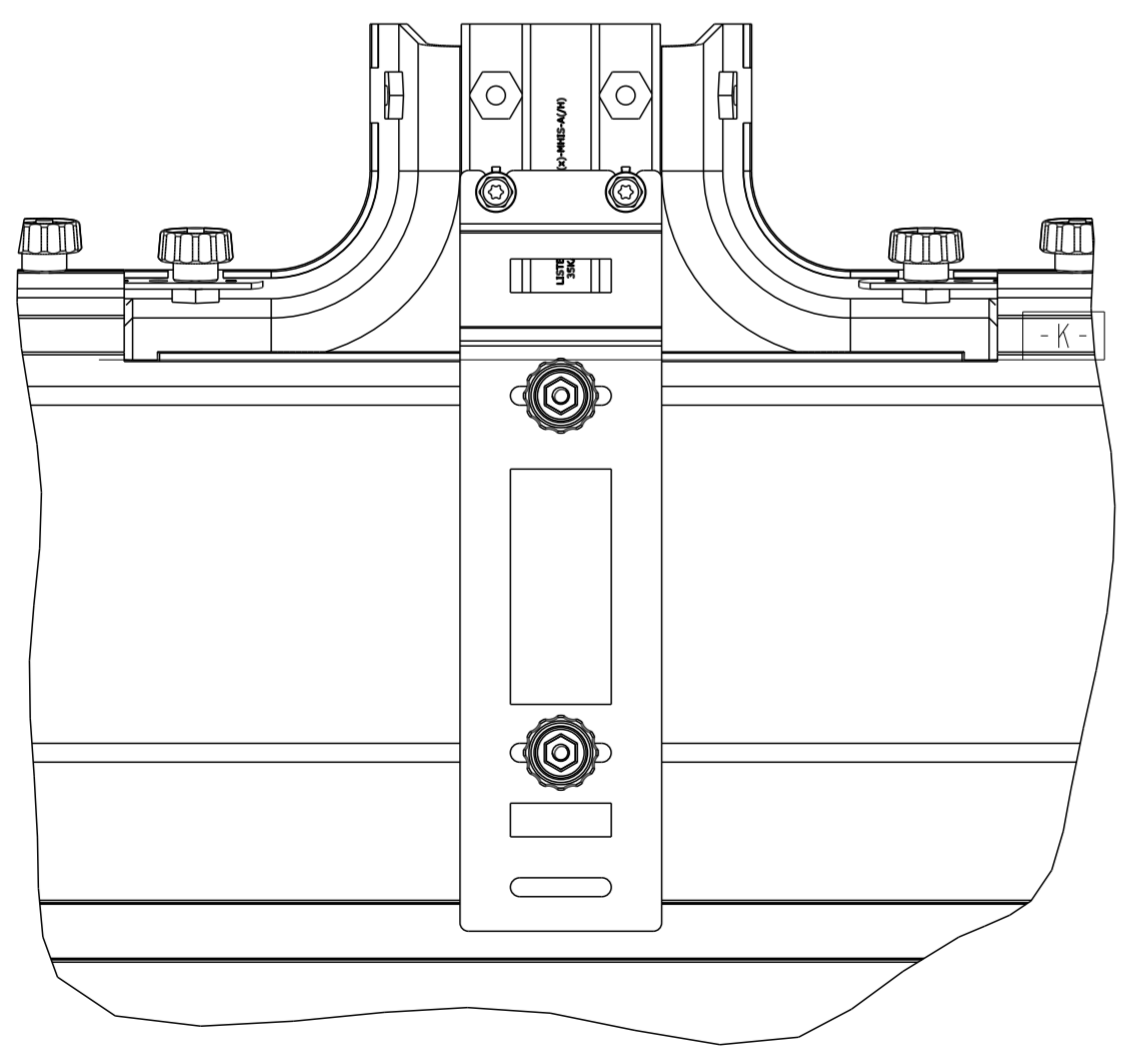
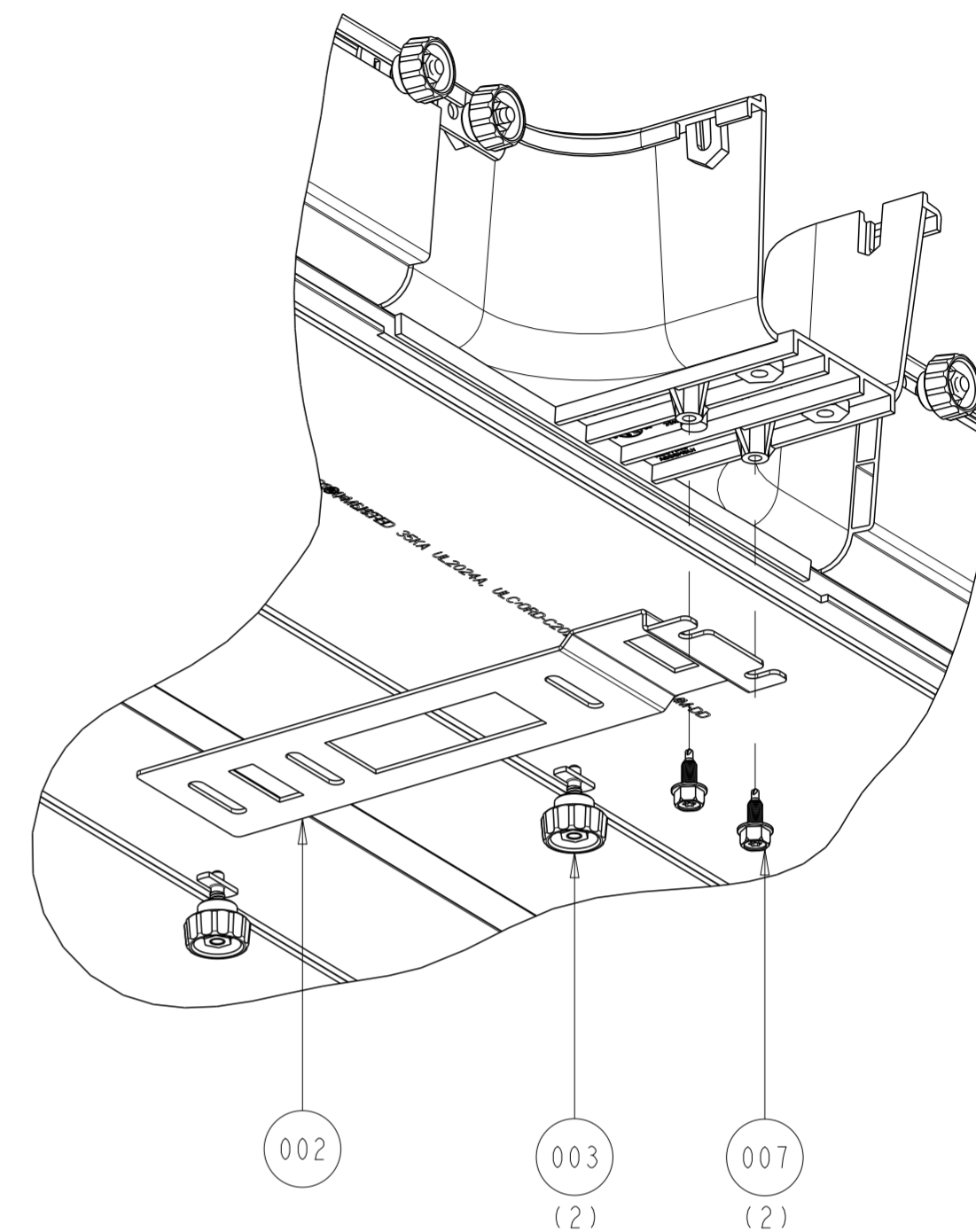
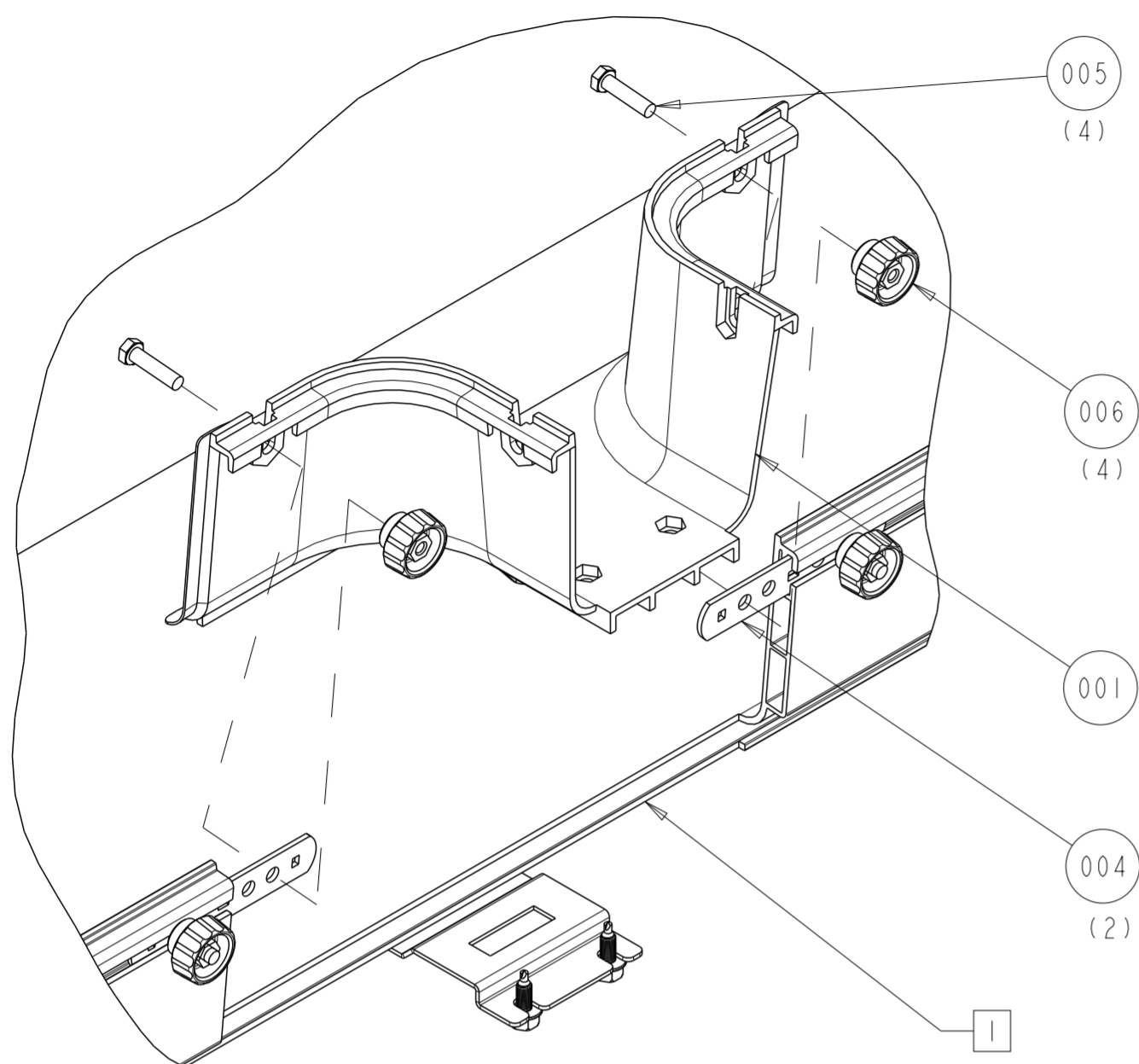
- NOTES:**
- 1 FOR PROPER FIT AGAINST TROUGH, HOLES NEED TO BE AT THE TOP OF THE CENTER PLATE, THE NUMBER INDICATING THE SIZE IS ALSO AT THE TOP OF THE PLATE.
  - 2 SCORE ALONG THIS EDGE WITH UTILITY KNIFE BETWEEN CUTS UNTIL SIDEWALL CAN BE BROKEN OUT.

FGSB-MHIS-F/H	3-(12") SHEET 4
FGS-MHIS-F/H	3-(12") SHEET 4
FGSB-MHIS-B/H	2-(6") SHEET 3
FGS-MHIS-B/H	2-(6") SHEET 3
FGSB-MHIS-A/H	1-(4") SHEET 2
FGS-MHIS-A/H	1-(4") SHEET 2
CATALOG NUMBER	FIGURE - (SIZE)

<b>COMMSCOPE, INC.</b>			
DRAFTER OMAR A. VALDEZ		TITLE FGS, ADAPTERS BRACKET FOR 18 & 24" SS, 4X4, 4X6, 4X12 HORZ CUT-IN T	
ENGINEER RUBEN ARVILLA		SIZE A2	SCALE 0.500
		DOCUMENT NO. <b>300100103922</b>	
CUSTOMER DRAWING			REVISION G
			SHEET 1 OF 5

# 4" HORZ CUT-IN T ADPT BRKT FOR 18 & 24" SS

## FIGURE 1



4" HORZ CUT-IN T ADPT BRKT  
INSTALLED in 18 STRAIGHT SECTION

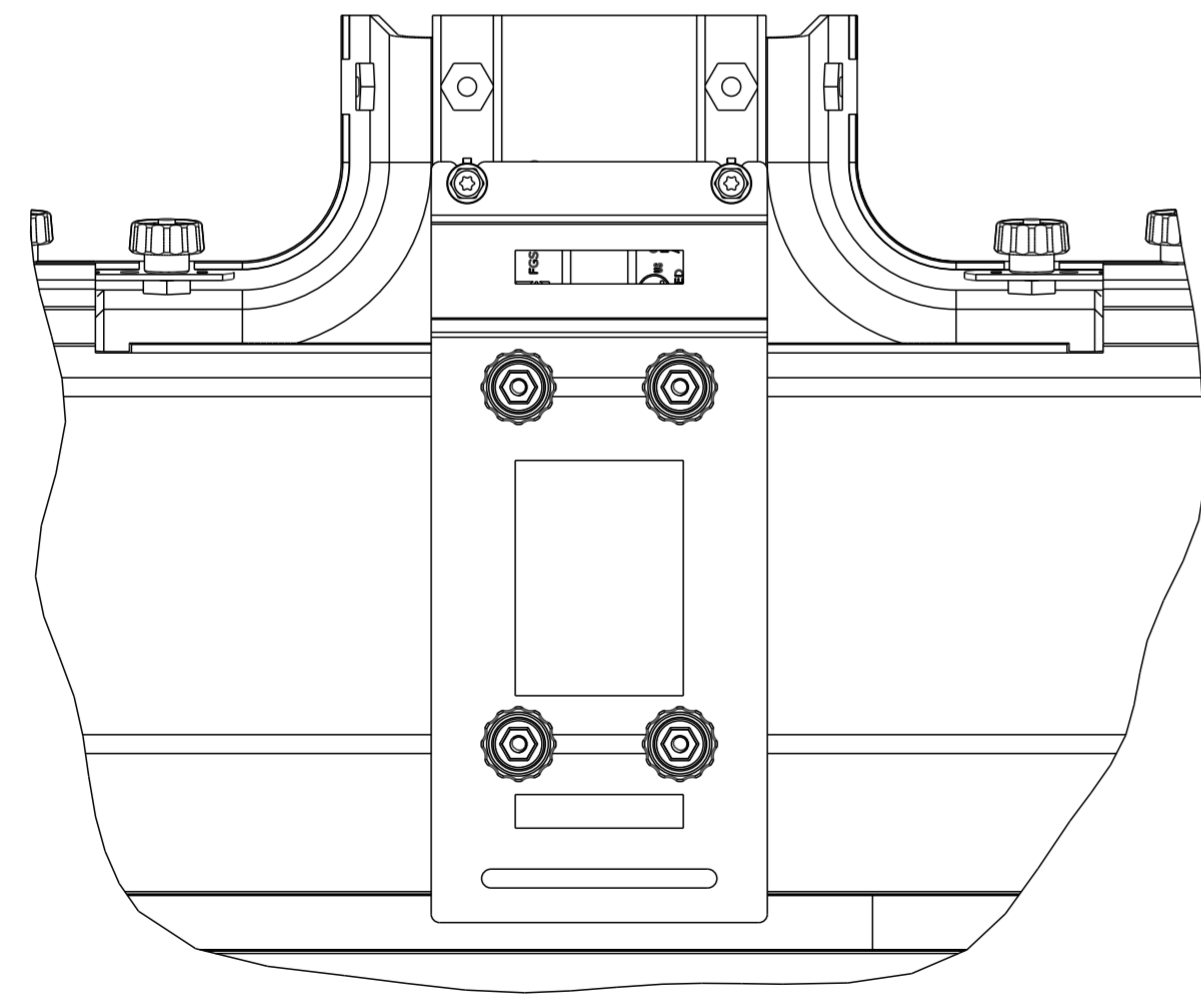
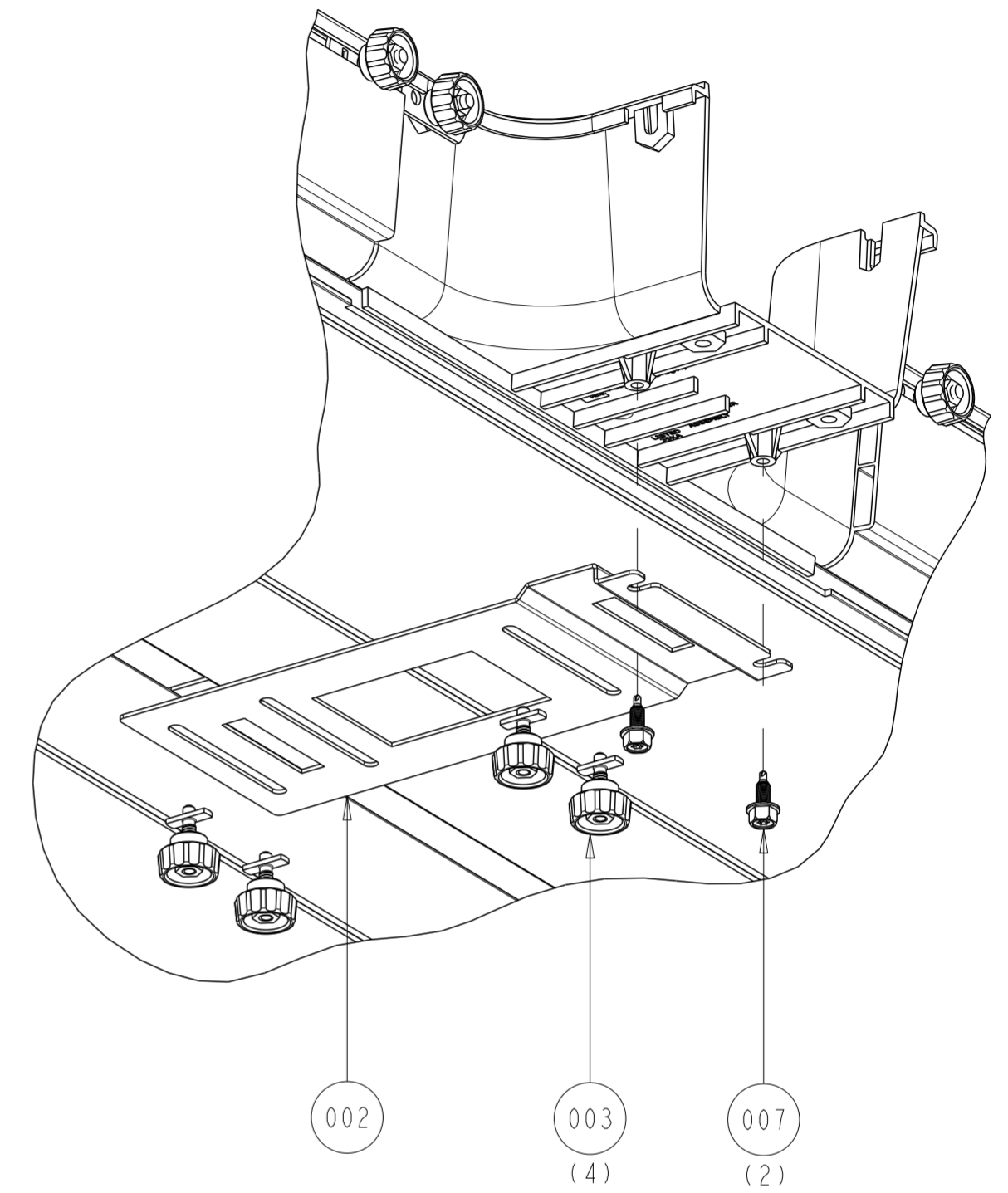
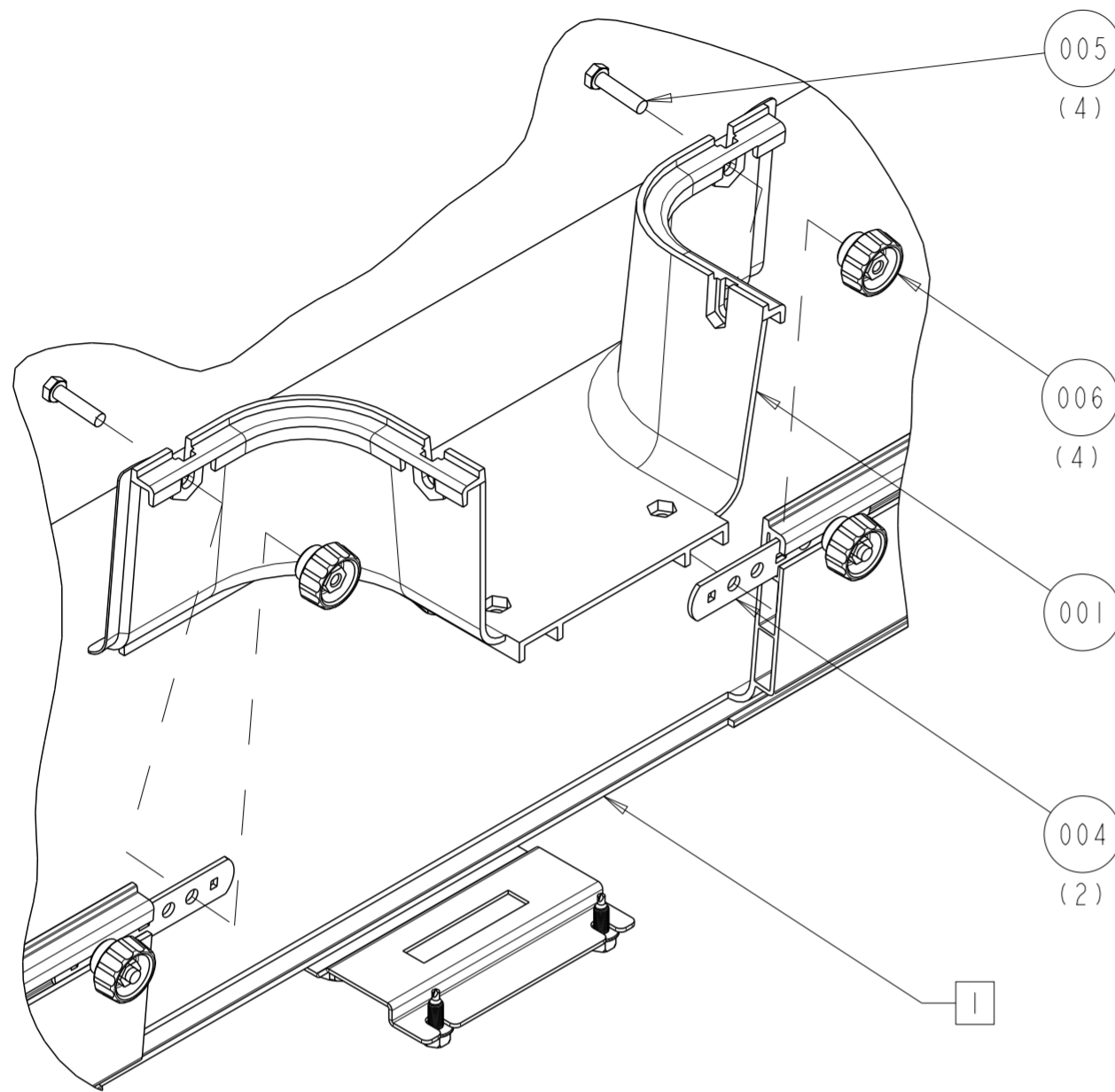
4" HORZ CUT-IN T ADPT BRKT  
INSTALLED in 24 STRAIGHT SECTION

**NOTE:**  
 I THE STRAIGHT SECTION IN THE ASSEMBLIES ARE FOR REFERENCE ONLY,  
 THEY ARE NOT INCLUDED IN THE KITS.

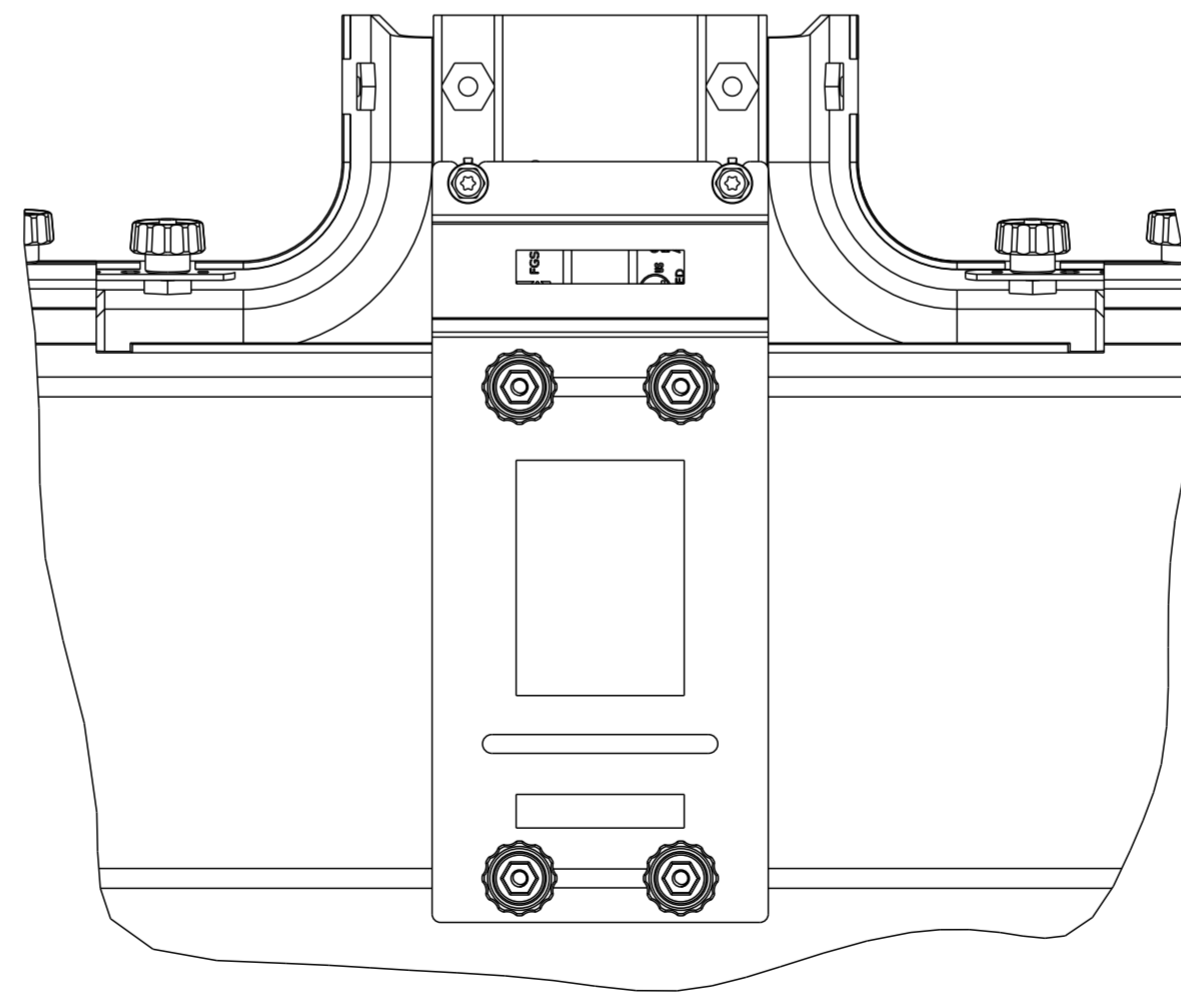
<b>COMMSCOPE, INC.</b>			
DRAFTER OMAR A. VALDEZ		TITLE FGS, ADAPTERS BRACKET FOR 18 & 24" SS, 4X4, 4X6, 4X12 HORZ CUT-IN T	
ENGINEER RUBEN ARVILLA		SIZE A2	SCALE 0.375
		DOCUMENT NO. <b>300100103922</b>	
CUSTOMER DRAWING			REVISION G
			SHEET 2 OF 5

# 6" HORZ CUT-IN T ADPT BRKT FOR 18 & 24" SS

FIGURE 2



6" HORZ CUT-IN T ADPT BRKT  
INSTALLED in 18 STRAIGHT SECTION

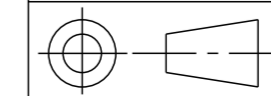


6" HORZ CUT-IN T ADPT BRKT  
INSTALLED in 24 STRAIGHT SECTION

**NOTE:**

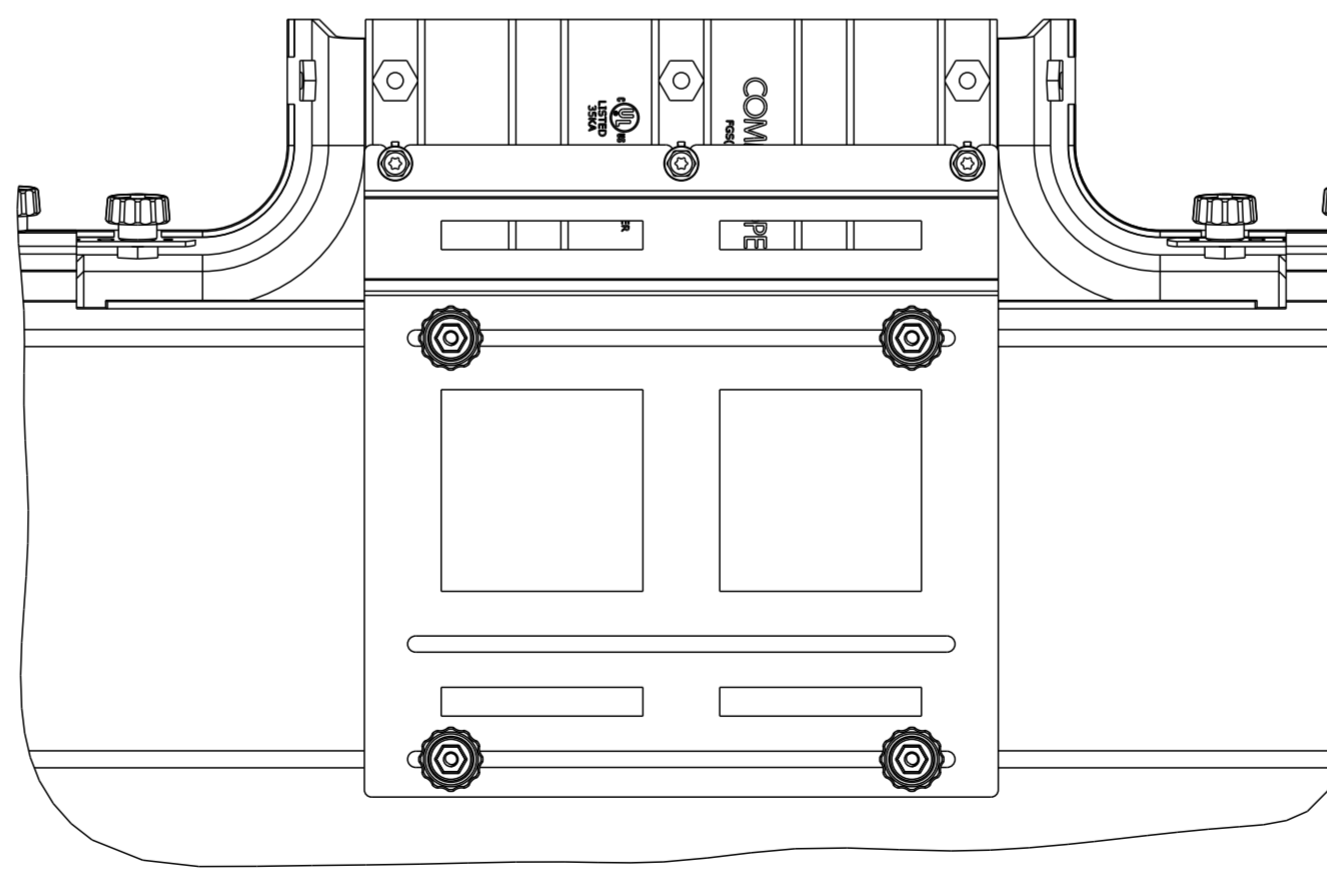
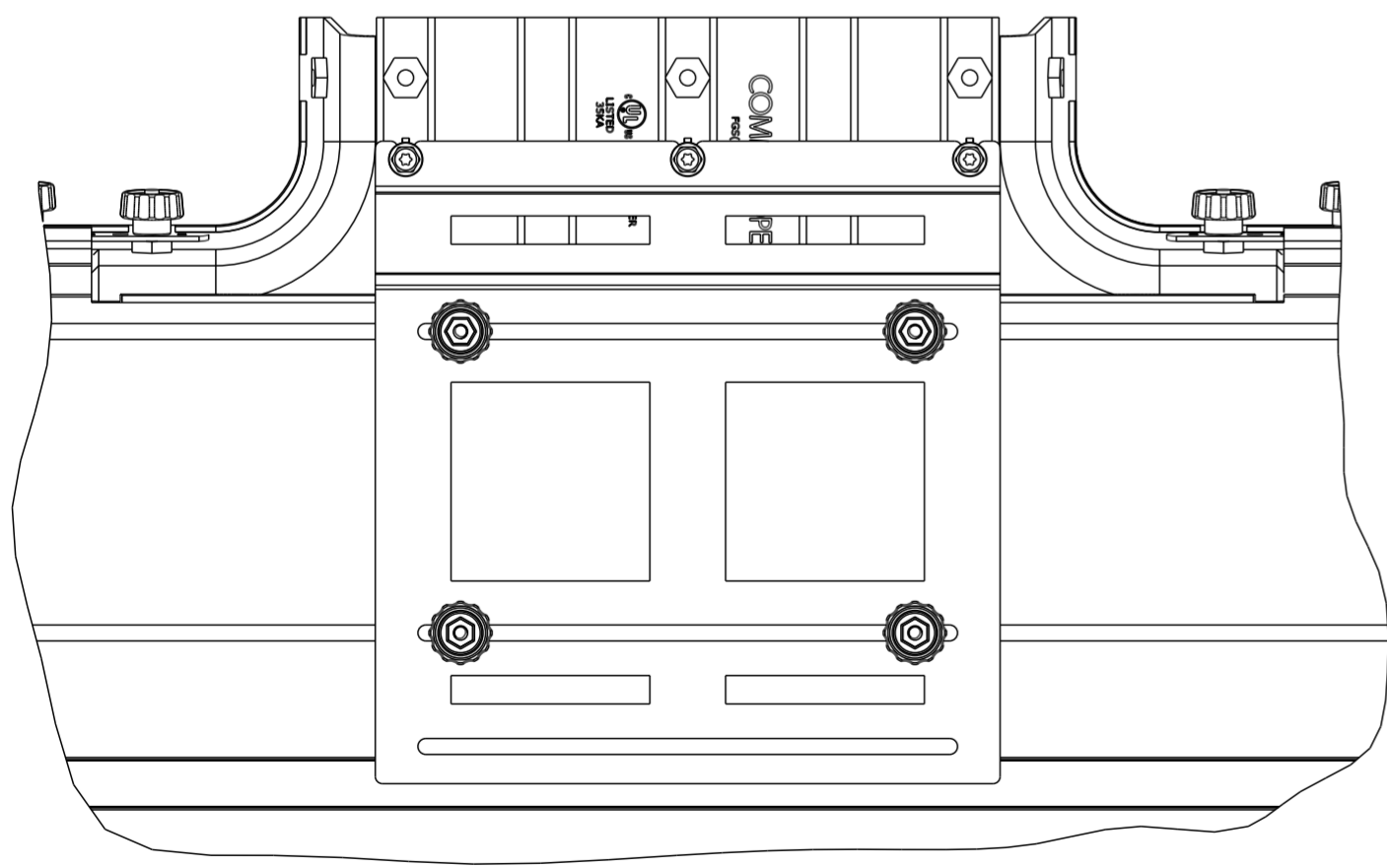
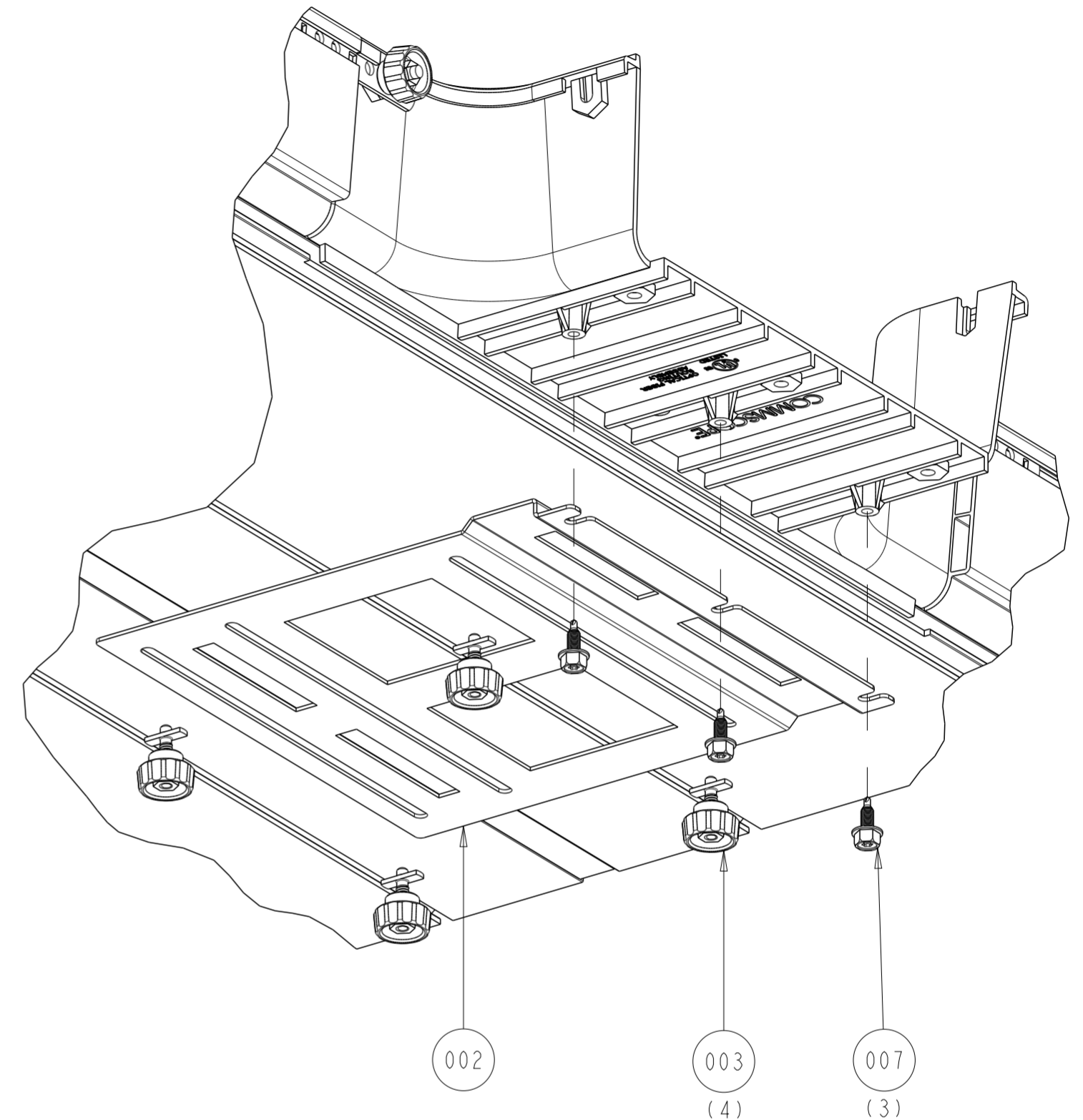
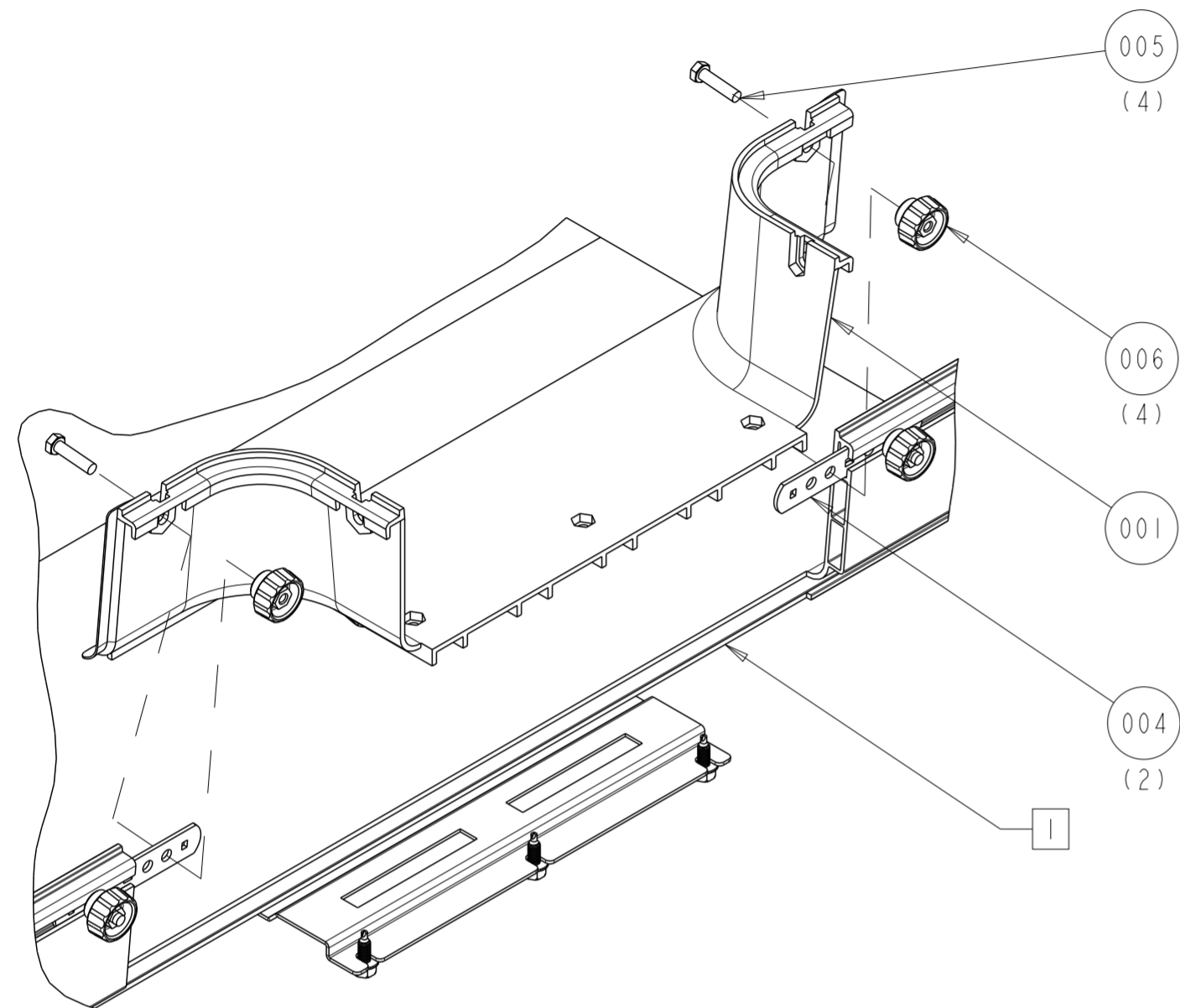
1 THE STRAIGHT SECTION IN THE ASSEMBLIES ARE FOR REFERENCE ONLY, THEY ARE NOT INCLUDED IN THE KITS.

<b>COMMSCOPE, INC.</b>			
DRAFTER OMAR A. VALDEZ		TITLE FGS, ADAPTERS BRACKET FOR 18 & 24" SS, 4X4, 4X6, 4X12 HORZ CUT-IN T	
ENGINEER RUBEN ARVILLA		SIZE A2	SCALE 0.375
		DOCUMENT NO. <b>300100103922</b>	
CUSTOMER DRAWING			REVISION G
			SHEET 3 OF 5



# 12" HORZ CUT-IN T ADPT BRKT FOR 18 & 24" SS

FIGURE 3



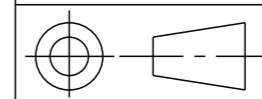
12" HORZ CUT-IN T ADPT BRKT  
INSTALLED in 18 STRAIGHT SECTION

12" HORZ CUT-IN T ADPT BRKT  
INSTALLED in 24 STRAIGHT SECTION

**NOTE:**

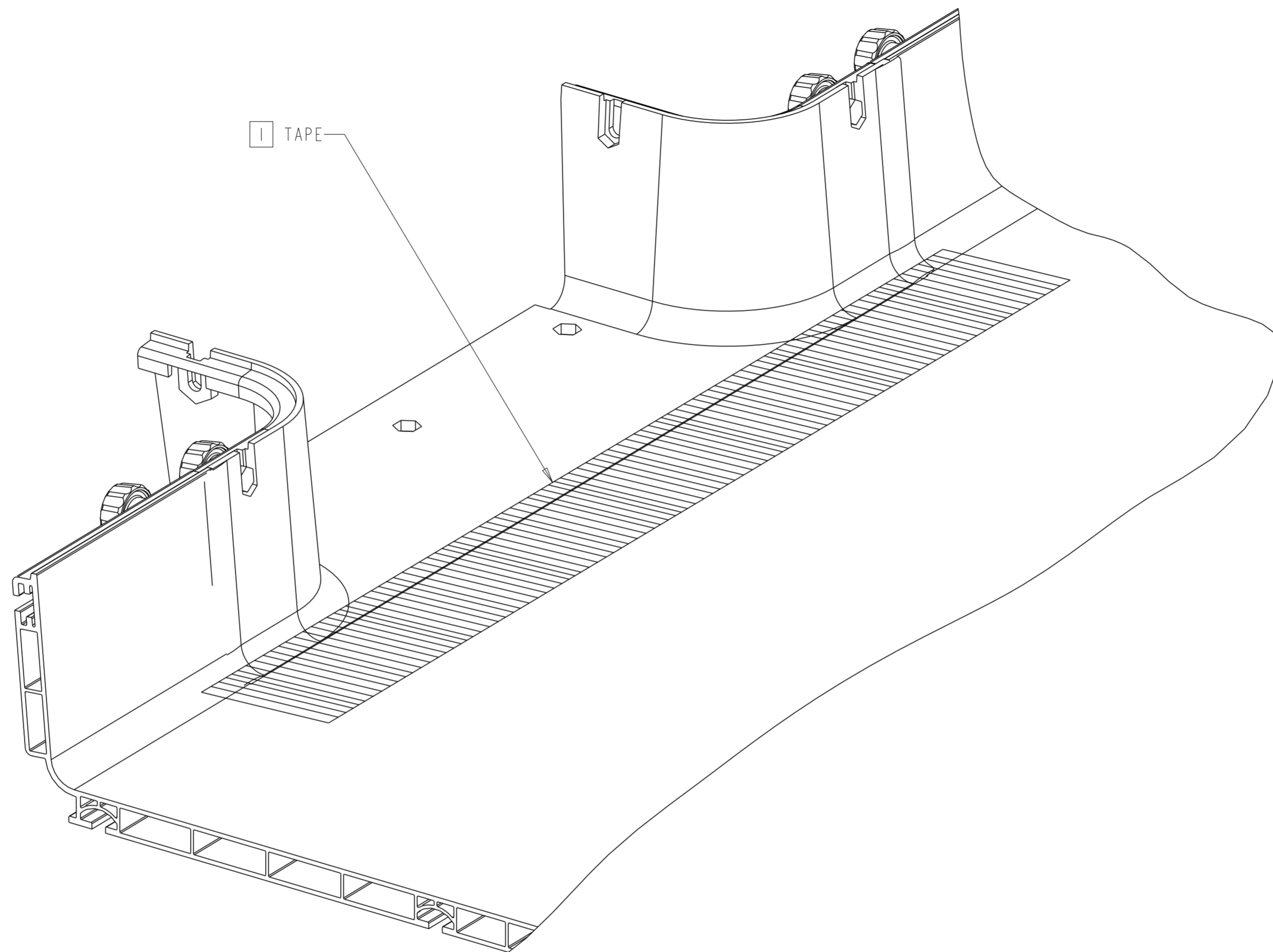
1 THE STRAIGHT SECTION IN THE ASSEMBLIES ARE FOR REFERENCE ONLY, THEY ARE NOT INCLUDED IN THE KITS.

<b>COMMSCOPE, INC.</b>			
DRAFTER OMAR A. VALDEZ		TITLE FGS, ADAPTERS BRACKET FOR 18 & 24" SS, 4X4, 4X6, 4X12 HORZ CUT-IN T	
ENGINEER RUBEN ARVILLA		SIZE A2	SCALE 0.375
		DOCUMENT NO. <b>300100103922</b>	
CUSTOMER DRAWING			REVISION G
			SHEET 4 OF 5



A  
B  
C  
D  
E  
F  
G  
H

A  
B  
C  
D  
E  
F  
G  
H



<b>FGSB-MHIS-F/H</b>	BLACK	12"	23
<b>FGS-MHIS-F/H</b>	YELLOW	12"	23
<b>FGSB-MHIS-B/H</b>	BLACK	6"	17
<b>FGS-MHIS-B/H</b>	YELLOW	6"	17
<b>FGSB-MHIS-A/H</b>	BLACK	4"	15
<b>FGS-MHIS-A/H</b>	YELLOW	4"	15
CATALOG NUMBER	COLOR	SIZE	TAPE LENGTH

**NOTES:**

**I** CUT TAPE TO LENGTH "C" AS SPECIFIED IN TABLE. APPLY TAPE ALONG SEAM WHERE THE CUT-IN MEETS THE TROUGH (AS SHOWN).

<b>COMMSCOPE, INC.</b>			
DRAFTER OMAR A. VALDEZ		TITLE FGS, ADAPTERS BRACKET FOR 18 & 24" SS, 4X4, 4X6, 4X12 HORZ CUT-IN T	
ENGINEER RUBEN ARVILLA		SIZE A2	SCALE 0.037
		DOCUMENT NO. <b>300100103922</b>	
		CUSTOMER DRAWING	
		REVISION G	SHEET 5 OF 5