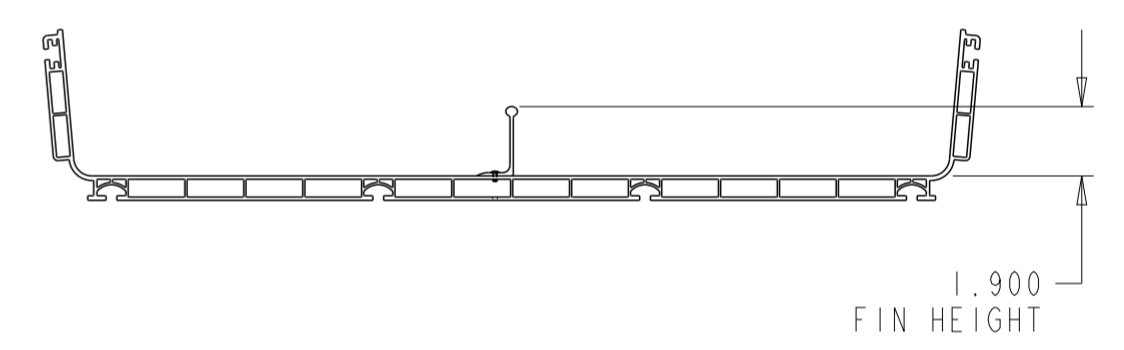
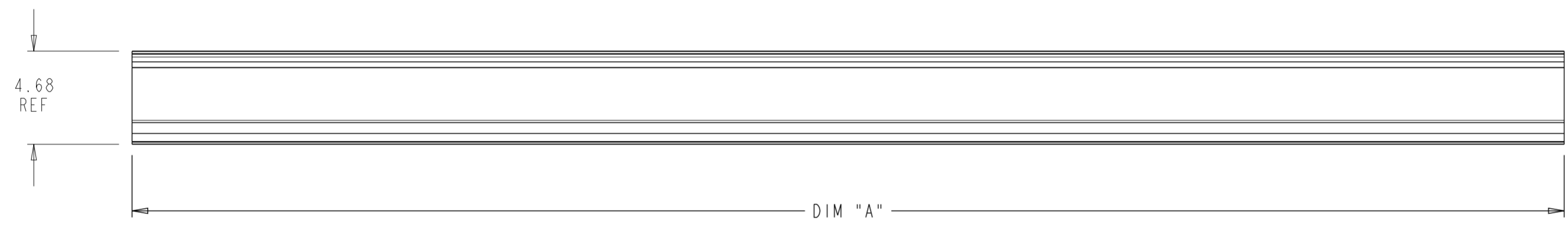
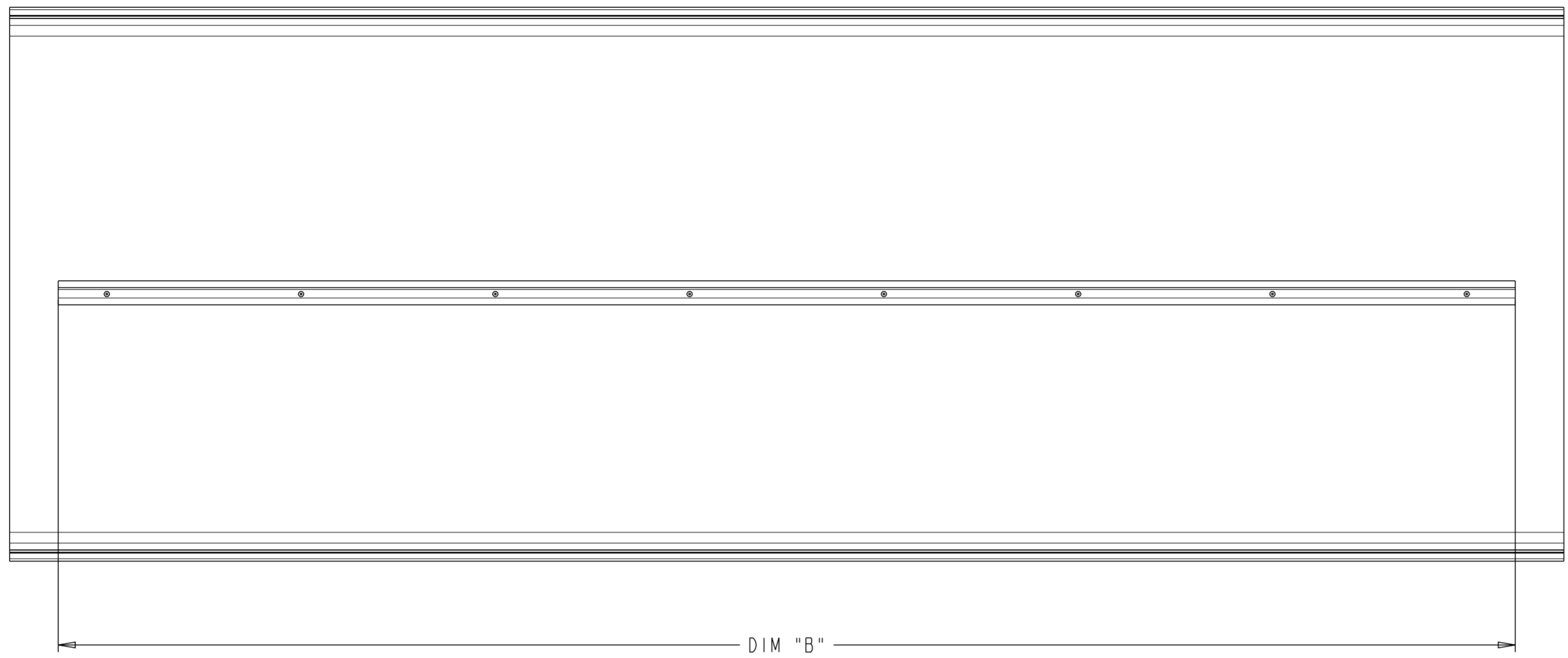


REVISIONS			
REV	CMO	DATE	APPROVED
B	40206477CMO	31-OCT-2024	GVR
C	40209794CMO	26-NOV-2024	GVR



SCALE 0.190

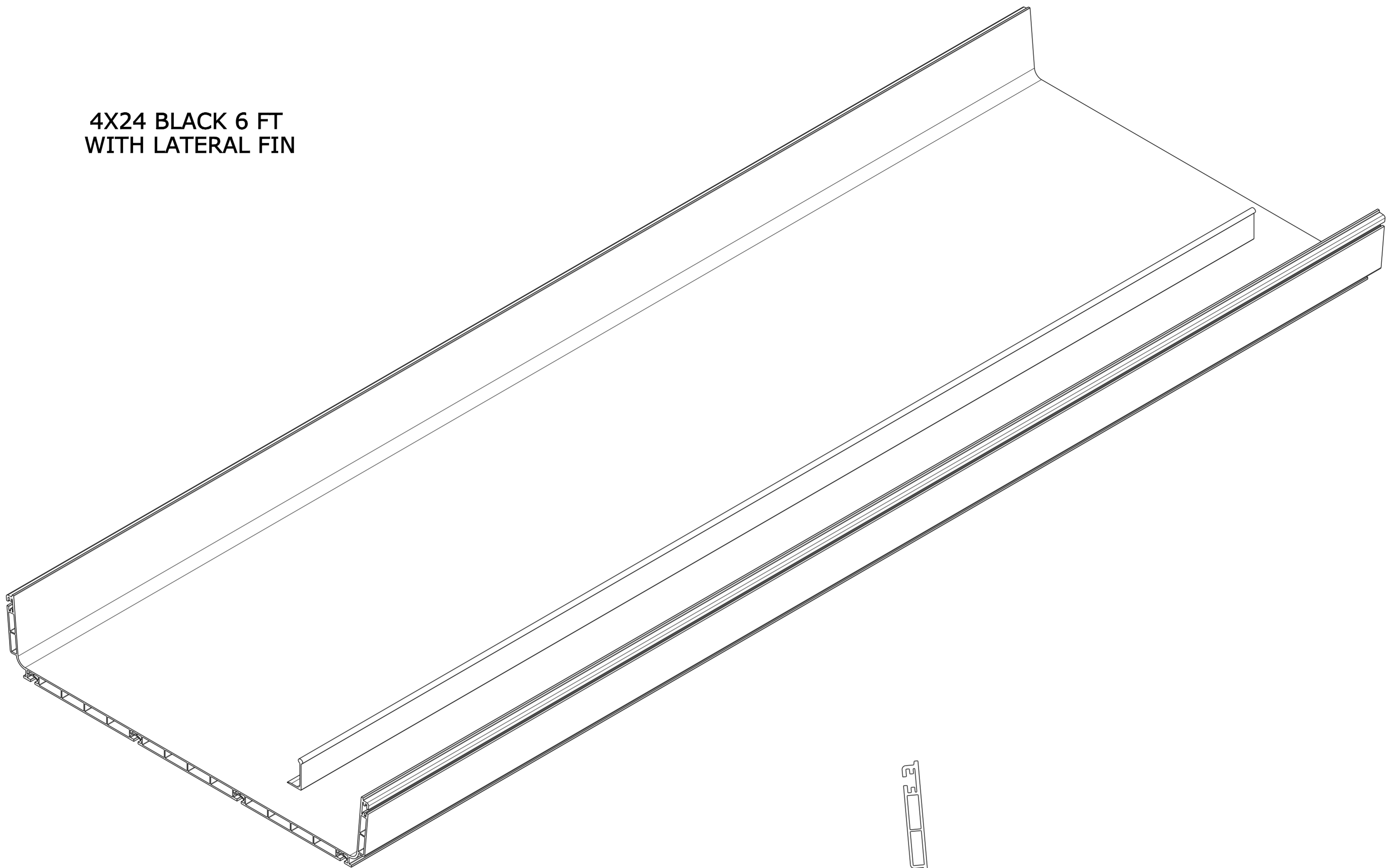
SCALE 0.150

**4X24 BLACK 6 FT
WITH CENTER FIN**

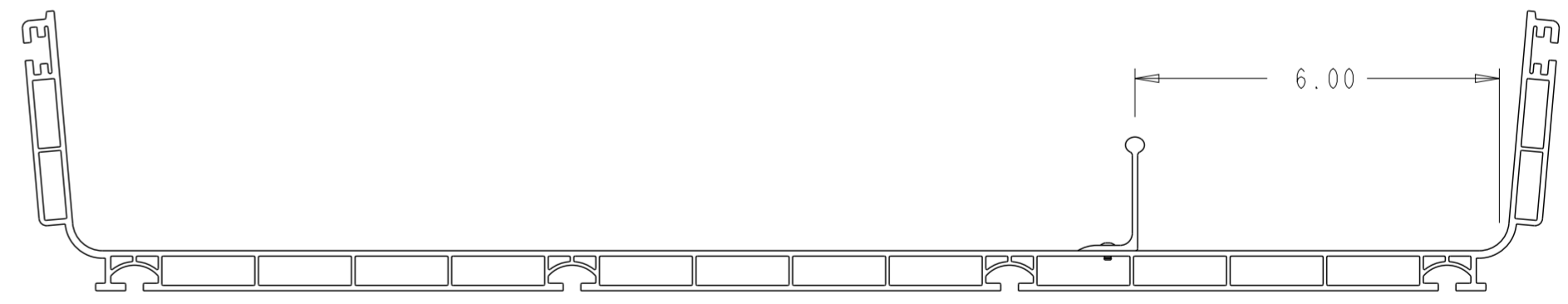
FGSB-MSHS-H-F6IN	72.0"	67.5"
FGSB-MSHS-H-CF10	120.0"	115.5"
FGSB-MSHS-H-CF	72.0"	67.5"
CATALOG NUMBER	DIM "A"	DIM "B"

COMMSCOPE, INC.			
DRAFTER RUBEN ARVILLA		TITLE 4x24 BLACK W/CENTER FIN, FGS, INSTALL DWG	
ENGINEER RUBEN ARVILLA		SIZE A2	SCALE 0.077
		DOCUMENT NO. 660106263	
CUSTOMER DRAWING			REVISION C
			SHEET 1 OF 2

4X24 BLACK 6 FT
WITH LATERAL FIN



SCALE 0.250



SCALE 0.375

COMMSCOPE, INC.			
DRAFTER RUBEN ARVILLA		TITLE ,	
ENGINEER RUBEN ARVILLA		SIZE A2	SCALE 0.071
		DOCUMENT NO. 660106263	
		CUSTOMER DRAWING	
		REVISION C	SHEET 2 OF 2