



IFEB30, Indoor Fiber Optic Wall mount Enclosure, Splice / Patch, LC/APC Pigtailed and Adapters (48), Single Element Slim trays(12) Smouv, Feeder Cable Seal 4x15mm and 24x7mm drop seal, RAL 9010

- Compact, wall mountable fiber enclosures for indoor use
- Specifically designed for fast FTTH deployment and easy customer connection
- Configurable as splice only or connectorized solution
- Multiple and modular wrap around cable port sealing options to suit a wide range of cables
- Easy intergration of 900µm connectorised or 250µm splice splitters
- Single Element (SE), Single Slim Element (SLE) or Single Circuit (SC) tray options - Smouv and ANT
- Powered by NOVUX™

Product Classification

Regional Availability	EMEA
Portfolio	CommScope®
Product Type	Fiber wall box
Product Series	IFEB-30

General Specifications

Functionality	Patching Splicing
Access	Front
Adapter Ports, quantity	48
Cable Ports, quantity	4
Drop Port, quantity	24
Enclosure Color	Pure White (RAL 9010)
Front Cover Type	Snap-on cover
Interface	LC/APC
Pigtails Included, quantity	48
Splice Tray Construction	SLE (Slim element tray for up to 12 primary coated fibers)
Splicing Capacity, maximum	144
Splicing Type	SMOUV

Dimensions

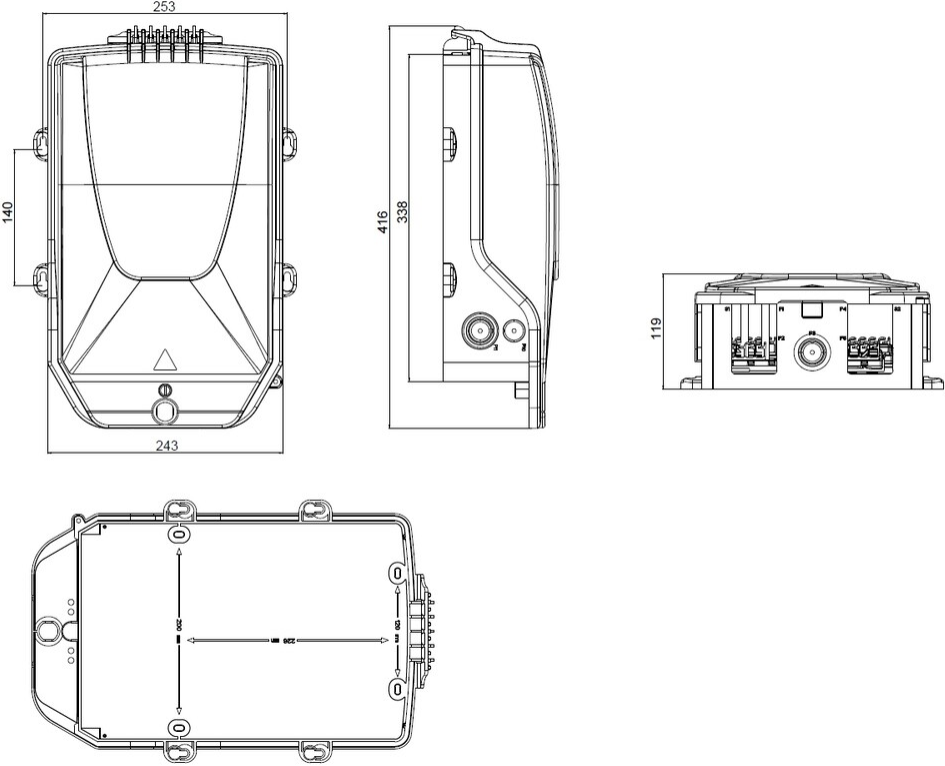
Height	340 mm 13.386 in
---------------	--------------------

760259797

| IFEB-30WB4048C12SGJNNN000

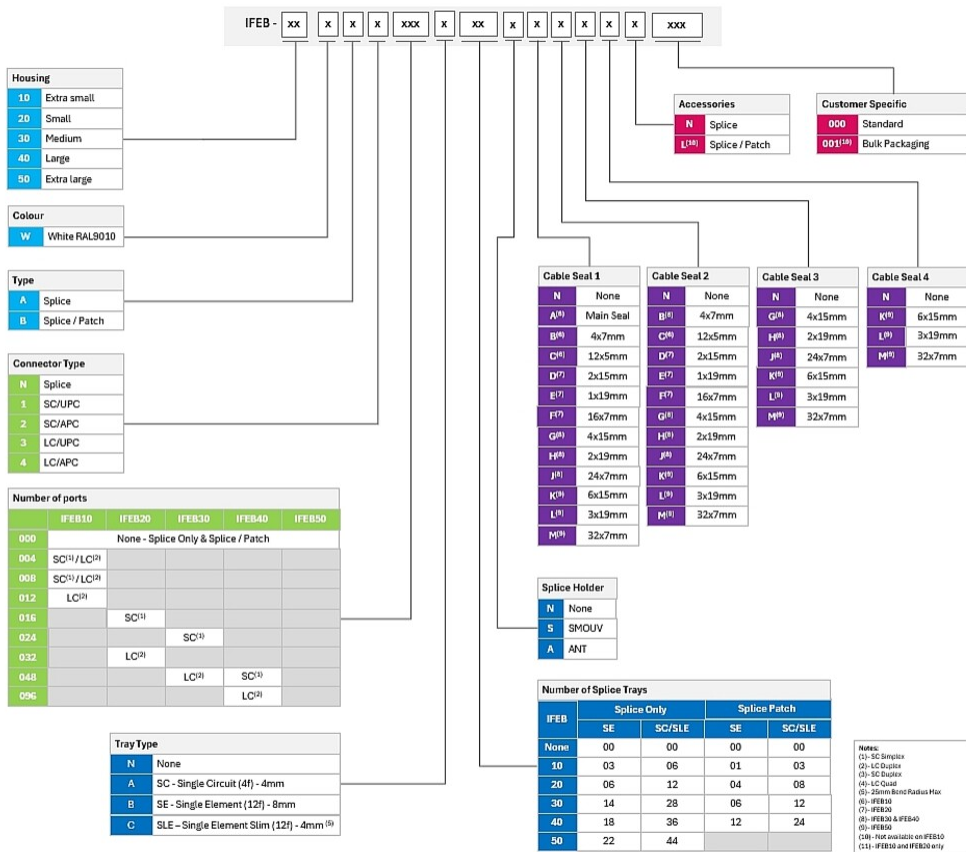
Height, with cover	420 mm 16.535 in
Width	240 mm 9.449 in
Depth	120 mm 4.724 in

Dimension Drawing



Ordering Tree

760259797 | IFEB-30WB4048C12SGJNNN000



Environmental Specifications

Installation temperature	-5 °C to +45 °C (+23 °F to +113 °F)
Operating Temperature	-10 °C to +60 °C (+14 °F to +140 °F)
Environmental Space	Indoor
Flammability Rating	UL 94 V-0
Qualification Standards	IEC 60529, IP50 IEC 61753-1 Ed.2 2018 - Category C

Packaging and Weights

Included	Adapters (24) Box (1) Drop Seal, 24x7 (1) Feeder Seal, 4x15 (1) SLE Smouv trays (12)
Packaging quantity	1
Packaging Type	Box

Regulatory Compliance/Certifications

Agency

CHINA-ROHS
REACH-SVHC
ROHS
UK-ROHS

Classification

Below maximum concentration value
Compliant as per SVHC revision on www.commscope.com/ProductCompliance
Compliant
Compliant

